

Non-Rotating Rectangular Cylinders, Type EZH

Single-Acting, Equivalent Bores 3.6, 5.6 and 12 mm

Single-Acting Cylinder

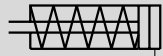
Rectangular design with spring return

Type EZH-...

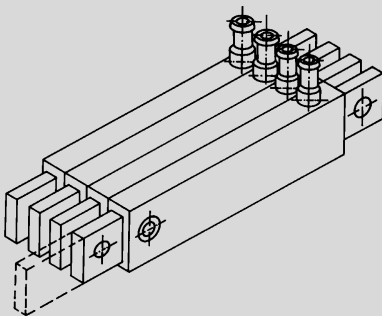
With plastic piston

Type EZH-...-B

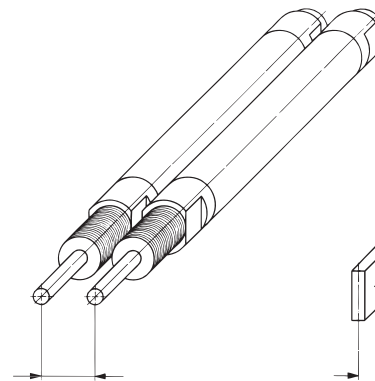
With steel piston



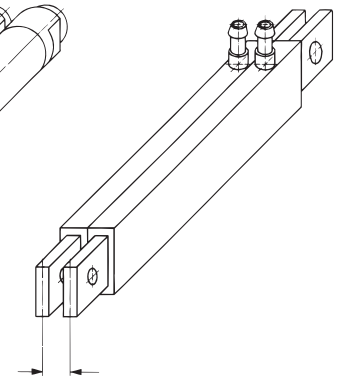
This flat cylinder, with its rectangular piston cross-section, has many applications. With it, linear guiding and pneumatic drive function are combined. It reduces the centerline distance between adjacent cylinders by approximately 40% compared with a round cylinder design.



Because the rod is non-rotating, this cylinder is ideal for many applications including cutting, stamping, numbering, bending and feeding.



Conventional Cylinder



Rectangular Cylinder Saves Space

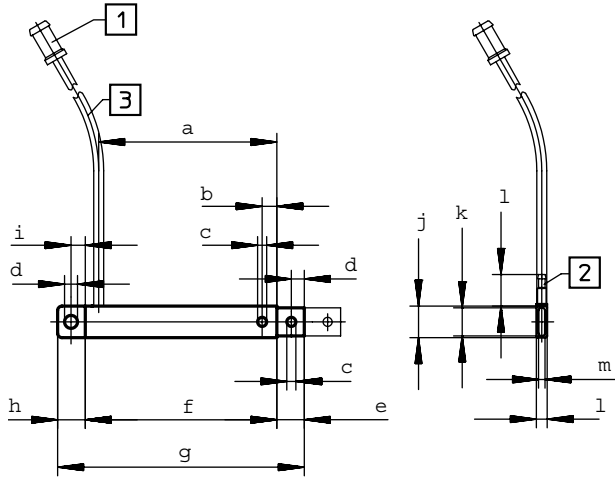
Order Number	Part No. / Type		13009 EZH-1.5 / 6.5-10	164991 EZH-2.5 / 9-10-B	164992 EZH-2.5 / 9-20-B	164993 EZH-5 / 20-25-B	164994 EZH-5 / 20-50-B	
Medium	Compressed air (filtered, lubricated or unlubricated)							
Design	Cylinder with rectangular piston							
Pressure	Max.	90 psi / 6 bar						
Materials	Housing: Anodized aluminum. Piston rod: steel (Type EZH-1.5 / 6.5-10; polymer) Seals: Buna-N							
Temperature Range			-4 to +176°F / -20 to +80°C	+14 to 140°F / -10 to +60°C	+32 to 140°F / 0 to +60°C	+14 to 140°F / -10 to +60°C	+32 to 140°F / 0 to +60°C	
Weight			0.009 lb / 0.004 kg	0.024 lb / 0.011 kg	0.036 lb / 0.017 kg	0.238 lb / 0.108 kg	0.320 lb / 0.145 kg	
Piston Dimensions	Piston Dimension	Stroke Length	Min Force at 90 psi / 6 bar	Spring Return Force*			Connection	
mm	mm	mm	lbf / N	lbf / N			Barbed fitting for 3 mm tubing	
1.5 x 6.5	3.6	10	0.68 / 3	0.225 / 1.0				
2.5 x 9	5.6	10	1.35 / 6	0.67 / 3.0				
		20		0.63 / 2.8				
5 x 20	12	25	8.55 / 38	1.8 / 8				
		50		2.2 / 10				

*Theoretical Values

Non-Rotating Rectangular Cylinders, Type EZH

Dimensions

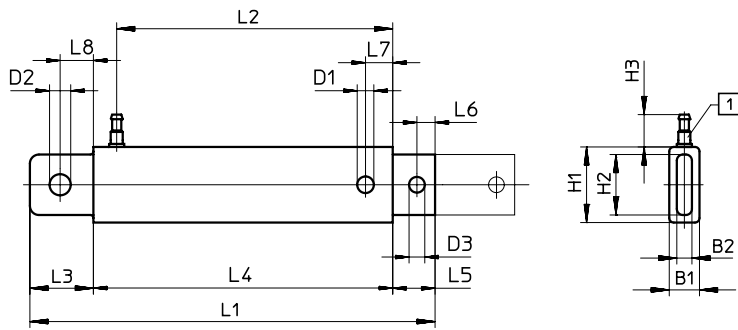
Type EZH-1.5 / 6.5-10



Dimensions

a	1.62 in / 41.2 mm
b	0.13 in / 3.4 mm
c	0.08 in / 2.1 mm
d	0.12 in / 3 mm
e	0.25 in / 6.35 mm
f	1.74 in / 44.3 mm
g	2.25 in / 57.05 mm
h	0.25 in / 6.4 mm
i	0.13 in / 3.3 mm
j	0.29 in / 7.3 mm
k	0.25 in / 6.45 mm
l	0.10 in / 2.5 mm
m	0.06 in / 1.45 mm

Type EZH...



- 1 Barbed fitting for 3 mm tubing
- 2 Barbed fitting for 1.5 mm tubing
- 3 Plastic tubing 200 mm length

Type	B1 in / mm	B2 in / mm	D1 dia in / mm	D2 dia in / mm	D3 dia in / mm	H1 in / mm	H2 in / mm	H3 in / mm
EZH-2.5/9-10-B	0.19 / 4.9	0.10 / 2.5	0.12 / 3.1	0.31 / 4	0.12 / 3.1	0.47 / 12	0.39 / 9.9	0.42 / 10.7
EZH-2.5/9-20-B	0.19 / 4.9	0.09 / 2.4	0.12 / 3.1	0.31 / 4	0.12 / 3.1	0.47 / 12	0.39 / 9.9	0.42 / 10.7
EZH-5/20-25-B	0.39 / 10	0.19 / 4.9	0.22 / 5.5	0.28 / 7	0.21 / 5.2	0.98 / 25	0.86 / 21.9	0.42 / 10.7
EZH-5/20-50-B	0.39 / 10	0.19 / 4.9	0.22 / 5.5	0.28 / 7	0.21 / 5.2	0.98 / 25	0.86 / 21.9	0.42 / 10.7
Type	L1 in / mm	L2 in / mm	L3 in / mm	L4 in / mm	L5 in / mm	L6 in / mm	L7 in / mm	L8 in / mm
EZH-2.5/9-10-B	2.64 / 67	1.72 / 43.6	0.39 / 10	1.91 / 48.6	0.33 / 8.4	0.31 / 4	0.18 / 4.5	0.22 / 5.5
EZH-2.5/9-20-B	3.90 / 99	2.93 / 75.5	0.39 / 10	3.17 / 80.6	0.33 / 8.4	0.31 / 4	0.18 / 4.5	0.22 / 5.5
EZH-5/20-25-B	5.27 / 133.9	3.50 / 91.3	0.83 / 21	3.90 / 99	0.55 / 13.9	0.24 / 6	0.35 / 9	0.43 / 11
EZH-5/20-50-B	8.11 / 205.9	6.3 / 163.3	0.83 / 21	6.73 / 171	0.55 / 13.9	0.24 / 6	0.35 / 9	0.43 / 11

Non-Rotating Rectangular Cylinders, Type EZH

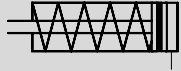
Single-Acting, Equivalent Bore 22 mm

FESTO

Single-Acting Rectangular Cylinder

Non-rotating rod, spring return

Type EZH-...-A-B

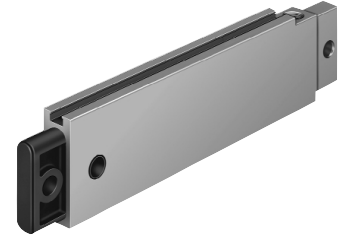
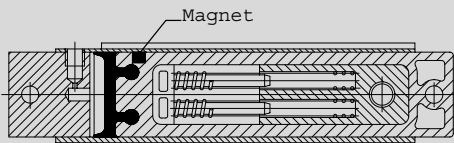


This flat cylinder with rectangular piston combines linear guiding with a pneumatic drive function. It reduces the centerline distance between adjacent cylinders by approximately 40% compared with a round cylinder design.

Because the rod is non-rotating, this cylinder is ideal for many applications including cutting, stamping, numbering, bending and feeding.

Accessories:

Magnetic actuated proximity sensor, Type SME-8-..., SMT-8-... (see page 854).



The piston carries a permanent magnet, used to actuate proximity sensors. One or more proximity sensors can be mounted directly onto the cylinder by means of the dovetail slot located along the upper side of the cylinder. The proximity sensor enables non-contact end and/or intermediate piston position sensing.

Order Number	Part No./Type	164990 EZH-10/40-40-A-B
Medium		Compressed air (filtered, lubricated or unlubricated)
Design		Cylinder with rectangular piston and rod
Pressure Range		45 to 90 psi / 2.8 to 6 bar
Temperature Range		32 to 140°F / 0 to 60°C
Materials		Housing: Anodized aluminum; Rectangular piston rod: polymer; Seals: Buna N
Weight		0.534 lb / 0.242 kg

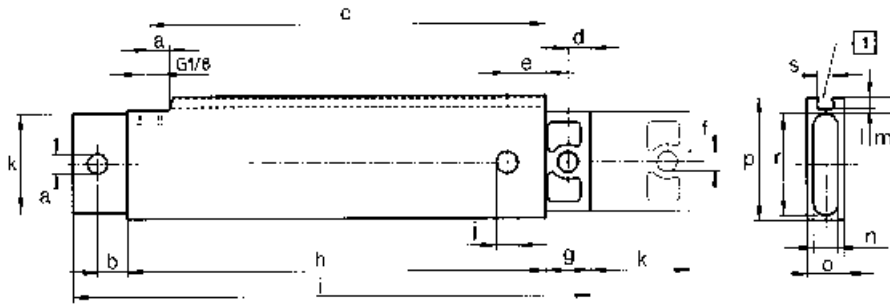
Piston Dimensions mm	Equivalent Bore mm	Stroke Length mm	Min Force at 90 psi / 6 bar lbf / N	Spring Return Force*		Connection
				min lbf / N	max. lbf / N	
10 x 40	22	40	46.1 / 205	4.05 / 18	6.29 / 28	G 1/8 ISO

* Theoretical values

Non-Rotating Rectangular Cylinders, Type EZH

Dimensions

Type EZH-10/40-40-A-B



1 Mounting slot for proximity sensor

Dimensions

a 0.31 in / 8 mm	g 0.72 in / 18.4 mm	m 0.26 in / 6.65 mm
b 0.47 in / 12 mm	h 6.63 in / 168.5 mm	n 0.39 in / 9.85 mm
c 6.28 in / 159.5 mm	i 8.22 in / 208.9 mm	o 0.59 in / 15 mm
d 0.35 in / 9 mm	j 0.33 in / 8.5 mm	p 1.95 in / 49.5 mm
e 0.61 in / 15.5 mm	k 1.57 in / 40 mm	r 1.60 in / 40.7 mm
f 0.32 in / 8.2 mm	l 0.18 in / 4.5 mm	s 0.25 in / 6.5 mm