

# **DMC-21x2/21x3**

**Manual Rev. 1.0h**

**By Galil Motion Control, Inc.**

***Galil Motion Control, Inc.  
270 Technology Way  
Rocklin, California 95765  
Phone: (916) 626-0101  
Fax: (916) 626-0102  
Internet Address: [support@galilmc.com](mailto:support@galilmc.com)  
URL: [www.galilmc.com](http://www.galilmc.com)***

***Rev 4/09***

## Using This Manual

This user manual provides information for proper operation of the DMC-21x2 and DMC-21x3 controllers. A separate supplemental manual, the Command Reference, contains a description of the commands available for use with this controller.

**Note: The DMC-21x2 and DMC-21x3 controllers are identical except the DMC-21x2 has 100 pin high-density connectors for breaking out the signals and the DMC-21x3 has 96 pin DIN connectors for breaking out the signals. The ICM/AMP-1900 and the ICM-2900 do not interface to the DMC-21x3. Look in the appendix for the pin-outs for the DMC-21x2 and DMC-21x3 controllers.**

Your DMC-21x2/21x3 motion controller has been designed to work with both servo and stepper type motors. Installation and system setup will vary depending upon whether the controller will be used with stepper motors or servo motors. To make finding the appropriate instructions faster and easier, icons will be next to any information that applies exclusively to one type of system. Otherwise, assume that the instructions apply to all types of systems. The icon legend is shown below.



Attention: Pertains to servo motor use.



Attention: Pertains to stepper motor use.



Attention: Pertains to controllers with more than 4 axes.

Please note that many examples are written for the DMC-2142 four-axes controller or the DMC-2182 eight axes controller. Users of the DMC-2132 3-axis controller, DMC-2122 2-axes controller or DMC-2112 1-axis controller should note that the DMC-2132 uses the axes denoted as XYZ, the DMC-2122 uses the axes denoted as XY, and the DMC-2112 uses the X-axis only.

Examples for the DMC-2182 denote the axes as A,B,C,D,E,F,G,H. Users of the DMC-2152 5-axes controller denotes the axes as A,B,C,D,E. DMC-2162 6-axes controller denotes the axes as A,B,C,D,E,F. DMC-2172, 7-axes controller denotes the axes as A,B,C,D,E,F,G. The axes A,B,C,D may be used interchangeably with X, Y, Z, W.

**WARNING: Machinery in motion can be dangerous! It is the responsibility of the user to design effective error handling and safety protection as part of the machine. Galil shall not be liable or responsible for any incidental or consequential damages.**

# Contents

<b>Contents</b>	<b>i</b>
<b>Chapter 1 Overview</b>	<b>1</b>
Introduction .....	1
Overview of Motor Types.....	2
Standard Servo Motor with +/- 10 Volt Command Signal .....	2
Brushless Servo Motor with Sinusoidal Commutation.....	2
Stepper Motor with Step and Direction Signals .....	2
Overview of Amplifiers.....	3
Amplifiers in Current Mode .....	3
Amplifiers in Velocity Mode.....	3
Stepper Motor Amplifiers.....	3
DMC-21x2/21x3 Functional Elements .....	3
Microcomputer Section .....	4
Motor Interface.....	4
Communication .....	4
General I/O.....	4
System Elements .....	4
Motor.....	5
Amplifier (Driver).....	5
Encoder.....	5
Watch Dog Timer .....	5
<b>Chapter 2 Getting Started</b>	<b>7</b>
The DMC-2112 through DMC-2142 Main Board.....	7
Elements You Need for DMC-2112 to 2142 .....	8
The DMC-2152 through DMC-2182 Main Board.....	9
Elements You Need for DMC-2152 to 2182 .....	10
Installing the DMC-21x2 .....	11
Step 1. Determine Overall Motor Configuration .....	12
Step 2. Install Jumpers on the DMC-21x2.....	12
Step 3. Configure Communication Jumpers on the DMC-21x2.....	13
Step 4. Install the Communications Software.....	13
Step 5. Connect +5V, 12V DC Power to the Controller .....	14
Step 6. Establish Communications with Galil Software.....	14
Step 7. Determine the Axes to be Used for Sinusoidal Commutation .....	16
Step 8. Make Connections to Amplifier and Encoder .....	17
Step 9a. Connect Standard Servo Motors .....	19
Step 9b. Connect Sinusoidal Commutation Motors.....	22
Step 9c. Connect Step Motors .....	25
Step 10. Tune the Servo System.....	25
The DMC-2113 through DMC-2143 Main Board.....	27
The DMC-2153 through DMC-2183 Main Board.....	28
Installing the DMC-21x3 .....	29

Step 1. Determine Overall Motor Configuration.....	30
Step 2. Install Jumpers on the DMC-21x3.....	31
Step 3. Configure Communication Jumpers on the DMC-21x3.....	31
Step 4. Install the Communications Software.....	32
Step 5. Connect +5V, 12V DC Power to the Controller.....	32
Step 6. Establish Communications with Galil Software.....	32
Step 7. Determine the Axes to be Used for Sinusoidal Commutation.....	34
Step 8. Make Connections to Amplifier and Encoder.....	35
Step 9a. Connect Standard Servo Motors.....	37
Step 9b. Connect Sinusoidal Commutation Motors.....	40
Step 9c. Connect Step Motors.....	43
Step 10. Tune the Servo System.....	43
Design Examples.....	44
System Set-up.....	44
Profiled Move.....	45
Multiple Axes.....	45
Independent Moves.....	45
Position Interrogation.....	45
Absolute Position.....	46
Velocity Control.....	46
Operation Under Torque Limit.....	47
Interrogation.....	47
Operation in the Buffer Mode.....	47
Using the On-Board Editor.....	47
Motion Programs with Loops.....	48
Motion Programs with Trippoints.....	48
Control Variables.....	49
Linear Interpolation.....	49
Circular Interpolation.....	50

### **Chapter 3 Connecting Hardware 51**

Overview.....	51
Using Inputs.....	51
Limit Switch Input.....	51
Home Switch Input.....	52
Abort Input.....	52
Uncommitted Digital Inputs.....	53
Amplifier Interface.....	53
TTL Inputs.....	54
The Auxiliary Encoder Inputs:.....	54
TTL Outputs.....	55
General Use Outputs.....	55
Output Compare.....	55
Error Output.....	55
Extended I/O of the DMC-21x2/21x3 Controller.....	55

### **Chapter 4 Communication 57**

Introduction.....	57
RS232 Port.....	57
RS232 – Serial Port DATATERM.....	57
RS-232 Configuration.....	57
Ethernet Configuration.....	58
Communication Protocols.....	58
Addressing.....	58

Communicating with Multiple Devices.....	59
Multicasting.....	61
Using Third Party Software.....	61
Data Record.....	61
Data Record Map.....	62
Explanation of Status Information and Axis Switch Information.....	64
Notes Regarding Velocity and Torque Information.....	66
QZ Command.....	66
Controller Response to Commands.....	66
Unsolicited Messages Generated by Controller.....	66
Galil Software Tools and Libraries.....	67

## **Chapter 5 Command Basics 69**

Introduction.....	69
Command Syntax - ASCII.....	69
Coordinated Motion with more than 1 axis.....	70
Command Syntax - Binary.....	71
Binary Command Format.....	71
Binary Command Table.....	72
Controller Response to DATA.....	73
Interrogating the Controller.....	74
Interrogation Commands.....	74
Summary of Interrogation Commands.....	74
Interrogating Current Commanded Values.....	74
Operands.....	75
Command Summary.....	75

## **Chapter 6 Programming Motion 77**

Overview.....	77
Independent Axis Positioning.....	79
Command Summary - Independent Axis.....	79
Operand Summary - Independent Axis.....	79
Examples.....	80
Independent Jogging.....	81
Command Summary - Jogging.....	81
Operand Summary - Independent Axis.....	82
Examples.....	82
Position Tracking.....	83
Example Motion 1:.....	84
Example Motion 2:.....	84
Example Motion3:.....	85
Trip Points.....	87
Command Summary – Position Tracking Mode.....	87
Linear Interpolation Mode.....	88
Specifying the Coordinate Plane.....	88
Specifying Linear Segments.....	88
Additional Commands.....	88
Command Summary - Linear Interpolation.....	90
Operand Summary - Linear Interpolation.....	90
Example.....	90
Vector Mode: Linear and Circular Interpolation Motion.....	93
Specifying the Coordinate Plane.....	93
Specifying Vector Segments.....	94
Additional commands.....	94

Command Summary - Coordinated Motion Sequence .....	95
Operand Summary - Coordinated Motion Sequence .....	96
Example .....	96
Electronic Gearing .....	98
Ramped Gearing .....	98
Example – Electronic Gearing Over a Specified Interval .....	100
Command Summary - Electronic Gearing .....	100
Electronic Cam .....	102
Command Summary - Electronic CAM .....	105
Operand Summary - Electronic CAM .....	106
Example .....	106
Contour Mode .....	107
Specifying Contour Segments .....	107
Additional Commands .....	108
Command Summary - Contour Mode .....	109
General Velocity Profiles .....	109
Example .....	109
Virtual Axis .....	112
Ecam master example .....	112
Sinusoidal Motion Example .....	112
Stepper Motor Operation .....	113
Specifying Stepper Motor Operation .....	113
Stepper Motor Smoothing .....	113
Monitoring Generated Pulses vs Commanded Pulses .....	113
Motion Complete Trippoint .....	114
Using an Encoder with Stepper Motors .....	114
Command Summary - Stepper Motor Operation .....	114
Operand Summary - Stepper Motor Operation .....	115
Stepper Position Maintenance Mode (SPM) .....	115
Error Limit .....	116
Correction .....	116
Dual Loop (Auxiliary Encoder) .....	119
Additional Commands for the Auxiliary Encoder .....	120
Backlash Compensation .....	120
Example .....	121
Motion Smoothing .....	122
Using the IT and VT Commands: .....	122
Example .....	122
Using the KS Command (Step Motor Smoothing): .....	123
Homing .....	124
Example .....	124
Command Summary - Homing Operation .....	126
Operand Summary - Homing Operation .....	126
High Speed Position Capture (The Latch Function) .....	126
Example .....	127

## Chapter 7 Application Programming

129

Overview .....	129
Using the DOS Editor to Enter Programs .....	129
Edit Mode Commands .....	130
Example .....	130
Program Format .....	131
Using Labels in Programs .....	131
Special Labels .....	131
Commenting Programs .....	132

Executing Programs - Multitasking .....	133
Debugging Programs .....	134
Trace Commands.....	134
Error Code Command.....	134
Stop Code Command.....	135
RAM Memory Interrogation Commands .....	135
Operands.....	135
Example.....	135
Program Flow Commands .....	136
Event Triggers & Trippoints.....	136
Conditional Jumps.....	140
If, Else, and Endif.....	143
Subroutines.....	144
Stack Manipulation.....	144
Auto-Start Routine .....	145
Automatic Subroutines for Monitoring Conditions.....	145
Mathematical and Functional Expressions .....	150
Mathematical Operators .....	150
Bit-Wise Operators.....	150
Functions .....	152
Variables.....	152
Programmable Variables .....	152
Operands.....	154
Special Operands (Keywords).....	154
Arrays .....	154
Defining Arrays.....	155
Assignment of Array Entries .....	155
Uploading and Downloading Arrays to On Board Memory.....	156
Automatic Data Capture into Arrays .....	156
Deallocating Array Space.....	157
Input of Data (Numeric and String) .....	158
Input of Data.....	158
Operator Data Entry Mode .....	159
Using Communication Interrupt.....	159
Output of Data (Numeric and String) .....	161
Sending Messages .....	161
Displaying Variables and Arrays.....	162
Interrogation Commands.....	163
Formatting Variables and Array Elements .....	164
Converting to User Units.....	165
Hardware I/O .....	166
Digital Outputs .....	166
Digital Inputs.....	167
Analog Inputs .....	167
The Auxiliary Encoder Inputs .....	168
Input Interrupt Function .....	169
Extended I/O of the DMC-21x2/21x3 Controller.....	170
Configuring the I/O of the DMC-21x2/21x3.....	170
Saving the State of the Outputs in Non-Volatile Memory.....	170
Accessing Extended I/O .....	171
Interfacing to Grayhill or OPTO-22 G4PB24 .....	171
Example Applications.....	171
Wire Cutter.....	171
A-B Table Controller.....	173
Backlash Compensation by Sampled Dual-Loop .....	175

<b>Chapter 8 Hardware &amp; Software Protection</b>	<b>177</b>
Introduction .....	177
Hardware Protection .....	177
Output Protection Lines.....	177
Input Protection Lines .....	178
Software Protection .....	178
Programmable Position Limits .....	179
Off-On-Error .....	179
Automatic Error Routine .....	179
Limit Switch Routine .....	180
Amplifier Error Routine .....	181
<b>Chapter 9 Troubleshooting</b>	<b>183</b>
Overview .....	183
Installation .....	183
Communication.....	184
Stability.....	184
Operation .....	184
<b>Chapter 10 Theory of Operation</b>	<b>185</b>
Overview .....	185
Operation of Closed-Loop Systems .....	187
System Modelling.....	188
Motor-Amplifier.....	189
Encoder.....	191
DAC .....	192
Digital Filter .....	192
ZOH.....	193
System Analysis.....	194
System Design and Compensation.....	196
The Analytical Method.....	196
<b>Appendices</b>	<b>199</b>
Electrical Specifications .....	199
Servo Control .....	199
Stepper Control.....	199
Input / Output .....	199
Power (Molex 26-03-4061) .....	200
Performance Specifications .....	200
Minimum Servo Loop Update Time: .....	200
Fast Update Rate Mode .....	201
Connectors for DMC-21x2 and DMC-21x3 Main Boards .....	202
DMC-21x2 Axes A-D High Density Connector J4 .....	202
DMC-21x2 Axes E-H High Density Connector J5 .....	203
DMC-21x3 Axes A-D 96 Pin DIN Connector J4 .....	204
DMC-21x3 Axes E-H 96 Pin DIN Connector J5 .....	205
DMC-21x2/21x3 Auxiliary Encoders C-D IDC pins JP6.....	206
DMC-21x2/21x3 Auxiliary Encoders G-H IDC pins JP8 .....	206
RS-232 Serial Port.....	207
Ethernet .....	207
96-pin Motor, Encoder, and I/O Connectors .....	207
Mating Power Connectors .....	207
Cable Connections for DMC-21x2/21x3 .....	208



Pin-Out Description for DMC-21x2/21x3 .....	208
Jumper Description for DMC-21x2/21x3 .....	210
LED Description .....	211
Dimensions for DMC-21x2 .....	211
Accessories and Options .....	212
ICM-2900 Interconnect Module for DMC-21x2 .....	213
ICM-2900 Drawing: .....	216
PCB Layout of the ICM-2900: .....	217
ICM-1900 Interconnect Module for DMC-21x2 .....	218
Features .....	218
ICM-1900 Drawing: .....	221
AMP-19x0 Mating Power Amplifiers for DMC-21x2 .....	221
Features .....	221
Specifications .....	222
Opto-Isolated Outputs for ICM-2900 / ICM-1900 / AMP-19x0 .....	222
Standard Opto-Isolation and High Current Opto-isolation: .....	222
Configuring Amplifier Enable for ICM-2900 / ICM-1900 .....	223
-LAEN Option: .....	223
-Changing the Amplifier Enable Voltage Level: .....	223
Coordinated Motion - Mathematical Analysis .....	224
Example- Communicating with OPTO-22 SNAP-B3000-ENET .....	227
List of Other Publications .....	229
Training Seminars .....	229
Contacting Us .....	230
WARRANTY .....	230

## Index

**231**

**THIS PAGE LEFT BLANK INTENTIONALLY**

# Chapter 1 Overview

---

## Introduction

**Note: The DMC-21x2 and DMC-21x3 controllers are identical except the DMC-21x2 has 100 pin high-density connectors for breaking out the signals and the DMC-21x3 has 96 pin DIN connectors for breaking out the signals. All references to the DMC-21x2 in this manual also apply to the DMC-21x3.**

The DMC-21x2/21x3 is the Galil economy stand-alone multi-axis controller. The controller series offers many enhanced features, when compare to previous series, including high-speed communications, non-volatile program memory, faster encoder speeds, and options for bolt-on amplifiers or breakout boards.

Each DMC-21x2/21x3 provides two communication channels: RS-232 (up to 19.2K Baud) and 10BaseT Ethernet.

A 4Meg Flash EEPROM provides non-volatile memory for storing application programs, parameters, arrays and firmware. New firmware revisions are easily upgraded in the field.

The DMC-21x2/21x3 is available with up to eight axes in a single stand-alone unit. The DMC-2112, 2122, 2132, 2142 are one thru four axis controllers and the DMC-2152, 2162, 2172, 2182 are five thru eight axis controllers.

Designed to solve complex motion problems, the DMC-21x2/21x3 can be used for applications involving jogging, point-to-point positioning, vector positioning, electronic gearing, multiple move sequences, and contouring. The controller eliminates jerk by programmable acceleration and deceleration with profile smoothing. For smooth following of complex contours, the DMC-21x2/21x3 provides continuous vector feed of an infinite number of linear and arc segments. The controller also features electronic gearing with multiple master axes as well as gantry mode operation.

For synchronization with outside events, the DMC-21x2/21x3 provides uncommitted I/O, including 8 digital inputs (16 inputs for DMC-2152 thru DMC-2182) and 8 digital outputs (16 outputs for DMC-2152 thru DMC-2182). The DMC-21x2/21x3 also has an additional 40 I/O and 8 analog inputs when the DB-28040 is added to the controller. Further I/O is available if the auxiliary encoders are not being used (2 inputs / each axis). Dedicated TTL inputs are provided for forward and reverse limits, abort, home, and definable input interrupts.

Commands can be sent in either Binary or ASCII. Additional software is available for automatic-tuning, trajectory viewing on a PC screen, CAD translation, and program development using many environments such as Visual Basic, C, C++ etc. Drivers for DOS, Linux, Windows 3.1, 95, 98, 2000, ME, NT and XP are available.

---

## Overview of Motor Types

The DMC-21x2/21x3 can provide the following types of motor control:

1. Standard servo motors with +/- 10 volt command signals
2. Brushless servo motors with sinusoidal commutation
3. Step motors with step and direction signals
4. Other actuators such as hydraulics - For more information, contact Galil.

The user can configure the axes separately for any combination of motor types, providing maximum flexibility.

### Standard Servo Motor with +/- 10 Volt Command Signal

The DMC-21x2/21x3 achieves superior precision through use of a 16-Bit motor command output DAC and a sophisticated PID filter that features velocity and acceleration feedforward, an extra pole filter and integration limits.

The controller is configured by the factory for standard servo motor operation. In this configuration, the controller provides an analog signal (+/- 10Volt) to connect to a servo amplifier. This connection is described in Chapter 2.

### Brushless Servo Motor with Sinusoidal Commutation

The DMC-21x2/21x3 can provide sinusoidal commutation for brushless motors (BLM). In this configuration, the controller generates two sinusoidal signals for connection with amplifiers specifically designed for this purpose.

**Note:** The task of generating sinusoidal commutation may be accomplished in the brushless motor amplifier. If the amplifier generates the sinusoidal commutation signals, only a single command signal is required and the controller should be configured for a standard servo motor (described above).

Sinusoidal commutation in the controller can be used with linear and rotary BLMs. However, the motor velocity should be limited such that a magnetic cycle lasts at least 6 milliseconds with a standard update rate of 1 millisecond\*. For faster motors, please contact the factory.

To simplify the wiring, the controller provides a one-time, automatic set-up procedure. When the controller has been properly configured, the brushless motor parameters may be saved in non-volatile memory.

The DMC-21x2/21x3 can control BLMs equipped with Hall sensors as well as without Hall sensors. If hall sensors are available, once the controller has been setup, the brushless motor parameters may be saved in non-volatile memory. In this case, the controller will automatically estimate the commutation phase upon reset. This allows the motor to function immediately upon power up. The hall effect sensors also provide a method for setting the precise commutation phase. Chapter 2 describes the proper connection and procedure for using sinusoidal commutation of brushless motors.

\*The update rate can be modified using the TM command. Please see the *Command Reference* for more details.

### Stepper Motor with Step and Direction Signals

The DMC-21x2/21x3 can control stepper motors. In this mode, the controller provides two signals to connect to the stepper motor amplifier: Step and Direction. For stepper motor operation, the controller

does not require an encoder and operates the stepper motor in an open loop fashion. Chapter 2 describes the proper connection and procedure for using stepper motors.

---

## Overview of Amplifiers

The amplifiers should be suitable for the motor and may be linear or pulse-width-modulated. An amplifier may have current feedback, voltage feedback or velocity feedback.

### Amplifiers in Current Mode

Amplifiers in current mode should accept an analog command signal in the +/-10 Volt range. The amplifier gain should be set such that a +10V command will generate the maximum required current. For example, if the motor peak current is 10A, the amplifier gain should be 1 A/V.

### Amplifiers in Velocity Mode

For velocity mode amplifiers, a command signal of 10 Volts should run the motor at the maximum required speed. The velocity gain should be set such that an input signal of 10V runs the motor at the maximum required speed.

### Stepper Motor Amplifiers



For step motors, the amplifiers should accept step and direction signals.

---

## DMC-21x2/21x3 Functional Elements

The DMC-21x2/21x3 circuitry can be divided into the following functional groups as shown in Figure 1.1 and discussed below.

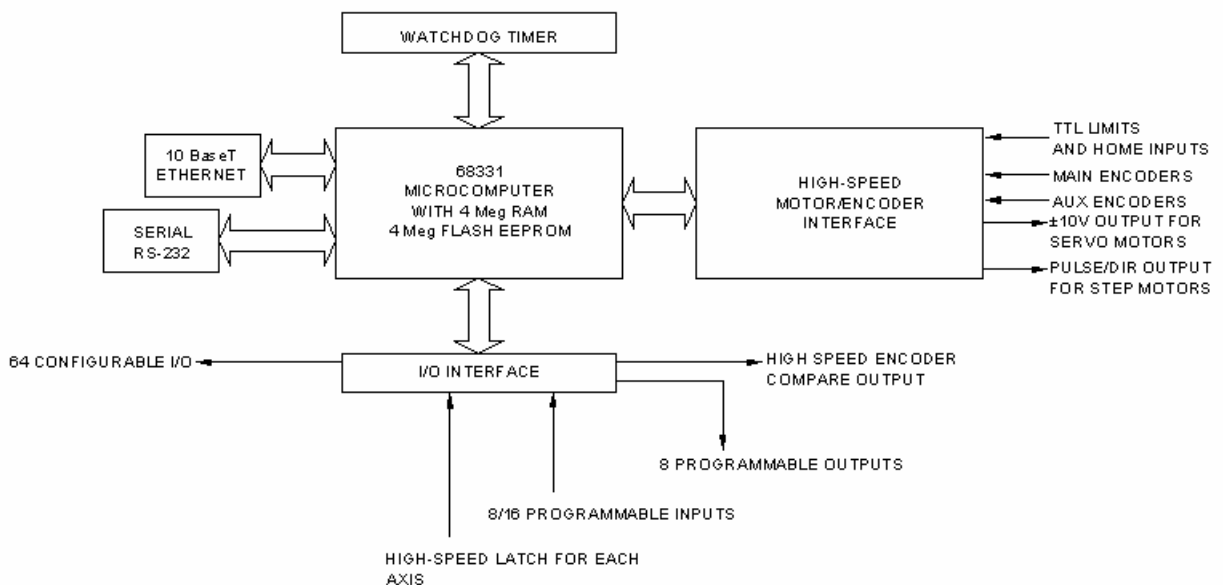


Figure 1.1 - DMC-21x2/21x3 Functional Elements

## Microcomputer Section

The main processing unit of the DMC-21x2/21x3 is a specialized 32-Bit Motorola 68331 Series Microcomputer with 4 Meg RAM and 4 Meg Flash EEPROM. The RAM provides memory for variables, array elements and application programs. The flash EEPROM provides non-volatile storage of variables, programs, and arrays. It also contains the DMC-21x2/21x3 firmware.

## Motor Interface

Galil's GL-1800 custom, sub-micron gate array performs quadrature decoding of each encoder at up to 12 MHz. For standard servo operation, the controller generates a +/-10 Volt analog signal (16 Bit DAC). For sinusoidal commutation operation, the controller uses 2 DACs to generate 2 +/-10Volt analog signals. For stepper motor operation, the controller generates a step and direction signal.

## Communication

The communication interface with the DMC-21x2/21x3 consists of a RS-232 port and 10 BaseT Ethernet port. The RS-232 channel can generate up to 19.2Kbaud.

## General I/O

The DMC-21x2/21x3 provides interface circuitry for 8 TTL inputs, 8 TTL outputs. The DMC-21x2 also has an additional 40 I/O daughterboard that can be ordered as an option. Unused auxiliary encoder inputs may also be used as additional inputs (2 inputs / each axis). The general inputs can also be used as high speed latches for each axis. A high speed encoder compare output is also provided.

**2182**

The DMC-2152 through DMC-2182 controller provides an additional 8 TTL inputs and 8 TTL outputs.

## System Elements

As shown in Fig. 1.2, the DMC-21x2/21x3 is part of a motion control system, which includes amplifiers, motors and encoders. These elements are described below.

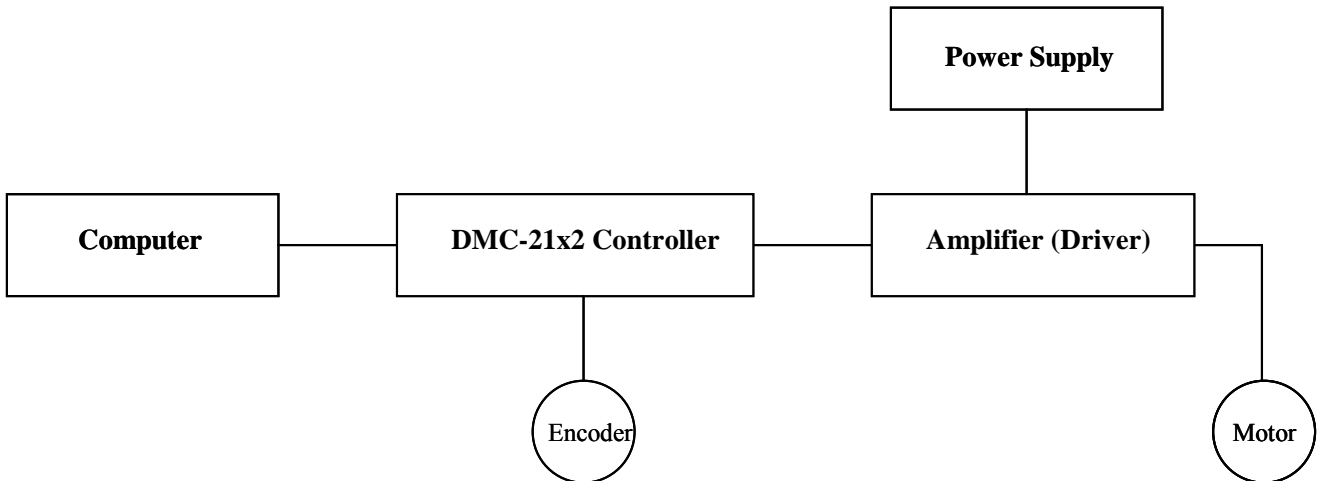


Figure 1.2 - Elements of Servo systems

## Motor

A motor converts current into torque which produces motion. Each axis of motion requires a motor sized properly to move the load at the required speed and acceleration. The Galil "Motion Component Selector" software can help with motor sizing. Contact Galil at 800-377-6329 if you would like this product.

The motor may be a step or servo motor and can be brush-type or brushless, rotary or linear. For step motors, the controller can be configured to control full-step, half-step, or microstep drives. An encoder is not required when step motors are used.

## Amplifier (Driver)

For each axis, the power amplifier converts a +/-10 Volt signal from the controller into current to drive the motor. For stepper motors, the amplifier converts step and direction signals into current. The amplifier should be sized properly to meet the power requirements of the motor. For brushless motors, an amplifier that provides electronic commutation is required or the controller must be configured to provide sinusoidal commutation. The amplifiers may be either pulse-width-modulated (PWM) or linear. They may also be configured for operation with or without a tachometer. For current amplifiers, the amplifier gain should be set such that a 10 Volt command generates the maximum required current. For example, if the motor peak current is 10A, the amplifier gain should be 1 A/V. For velocity mode amplifiers, 10 Volts should run the motor at the maximum speed.

## Encoder

An encoder translates motion into electrical pulses which are fed back into the controller. The DMC-21x2/21x3 accepts feedback from either a rotary or linear encoder. Typical encoders provide two channels in quadrature, known as CHA and CHB. This type of encoder is known as a quadrature encoder. Quadrature encoders may be either single-ended (CHA and CHB) or differential (CHA,CHA- and CHB,CHB-). The DMC-21x2/21x3 decodes either type into quadrature states or four times the number of cycles. Encoders may also have a third channel (or index) for synchronization.

For stepper motors, the DMC-21x2/21x3 can also interface to encoders with pulse and direction signals.

There is no limit on encoder line density, however, the input frequency to the controller must not exceed 3,000,000 full encoder cycles/second (12,000,000 quadrature counts/sec). For example, if the encoder line density is 10000 cycles per inch, the maximum speed is 300 inches/second. If higher encoder frequency is required, please consult the factory.

The standard voltage level is TTL (zero to five volts), however, voltage levels up to 12 Volts are acceptable. (If using differential signals, 12 Volts can be input directly to the DMC-21x2/21x3. Single-ended 12 Volt signals require a bias voltage input to the complementary inputs).

To interface with other types of position sensors such as resolvers or absolute encoders, Galil can customize the controller and command set. Please contact Galil and talk to one of our applications engineers about your particular system requirements.

## Watch Dog Timer

The DMC-21x2/21x3 provides an internal watch dog timer which checks for proper microprocessor operation. The timer toggles the Amplifier Enable Output (AMPEN) which can be used to switch the amplifiers off in the event of a serious DMC-21x2/21x3 failure. The AMPEN output is normally high. During power-up and if the microprocessor ceases to function properly, the AMPEN output will go low. The error light will also turn on at this stage. A reset is required to restore the DMC-21x2/21x3 to normal operation. Consult the factory for a Return Materials Authorization (RMA) Number if your DMC-21x2/21x3 is damaged.

**THIS PAGE LEFT BLANK INTENTIONALLY**



# Chapter 2 Getting Started

## The DMC-2112 through DMC-2142 Main Board

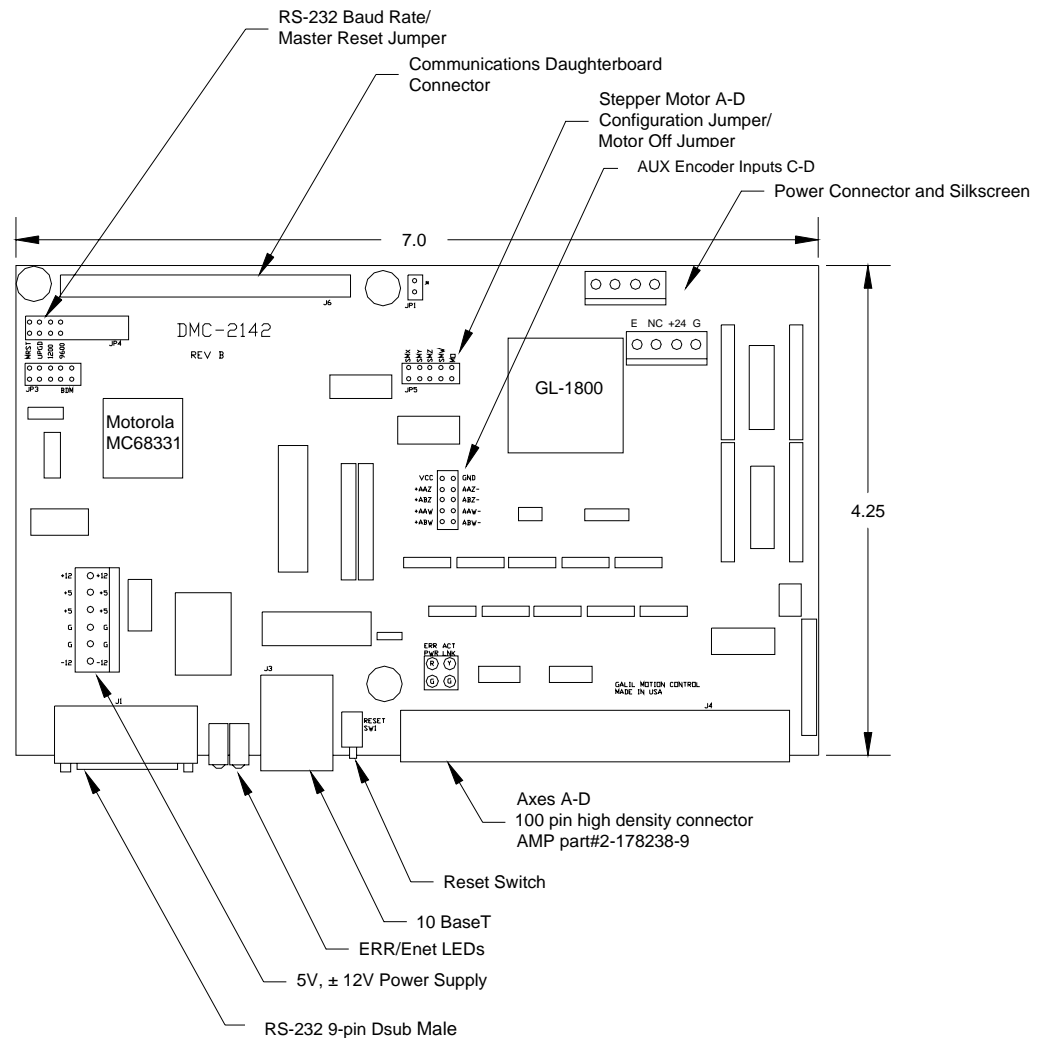


Figure 2-1 - Outline of the main board of the DMC-2112-2142

# Elements You Need for DMC-2112 to 2142

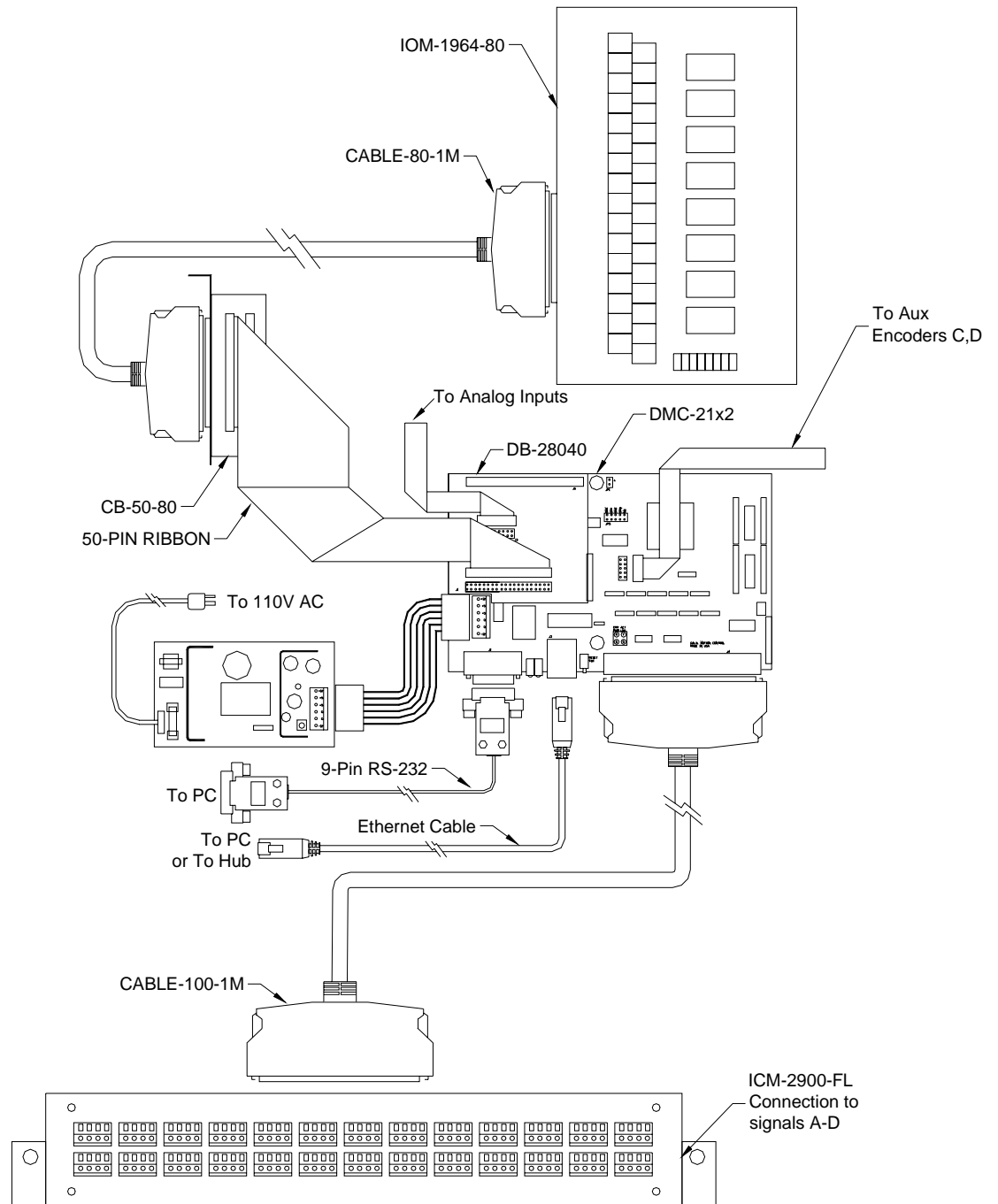


Figure 2-2 Recommended System Elements of DMC-2112-2142

# The DMC-2152 through DMC-2182 Main Board

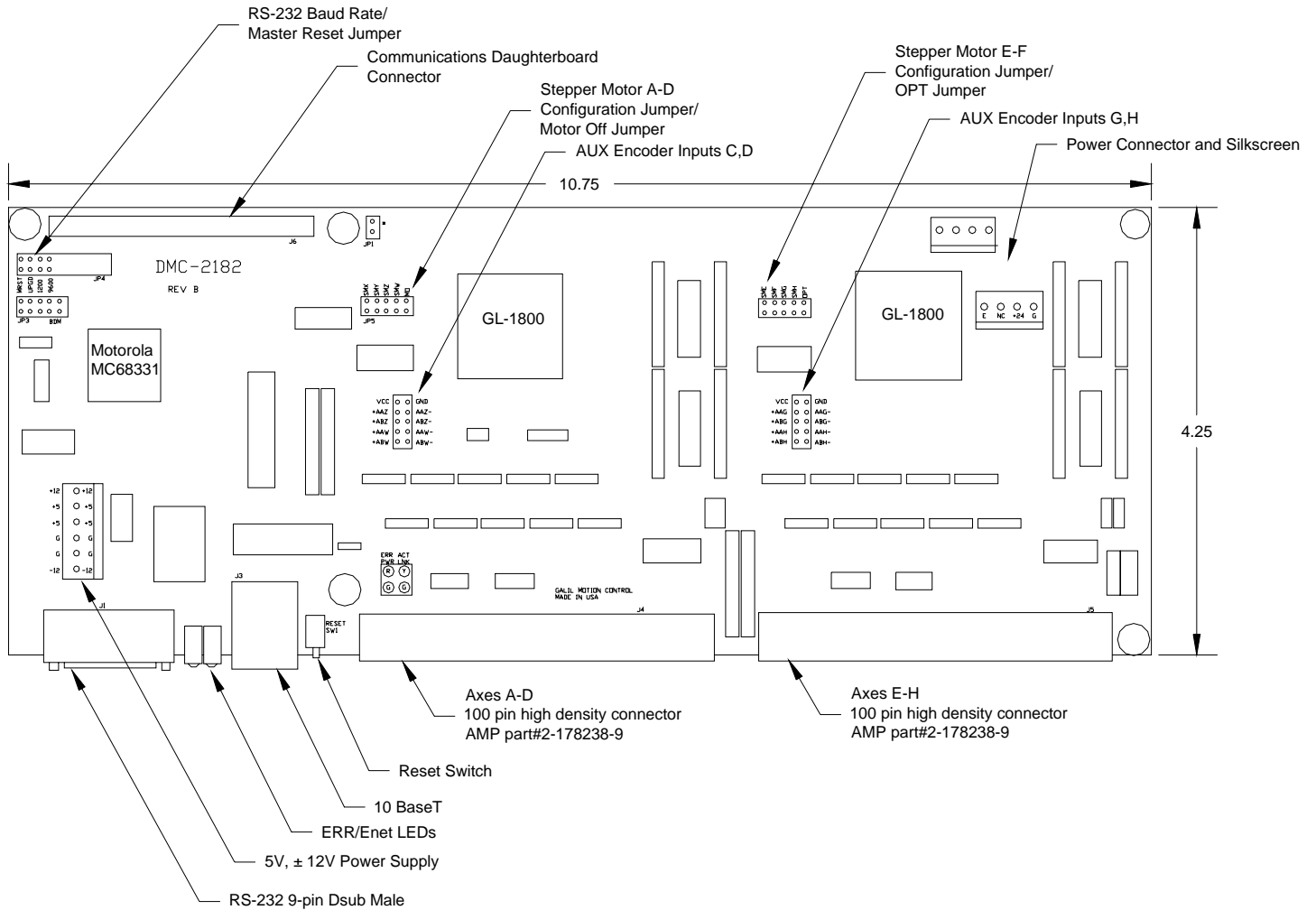


Figure 2-3 - Outline of the main board of the DMC-2152-2182

# Elements You Need for DMC-2152 to 2182

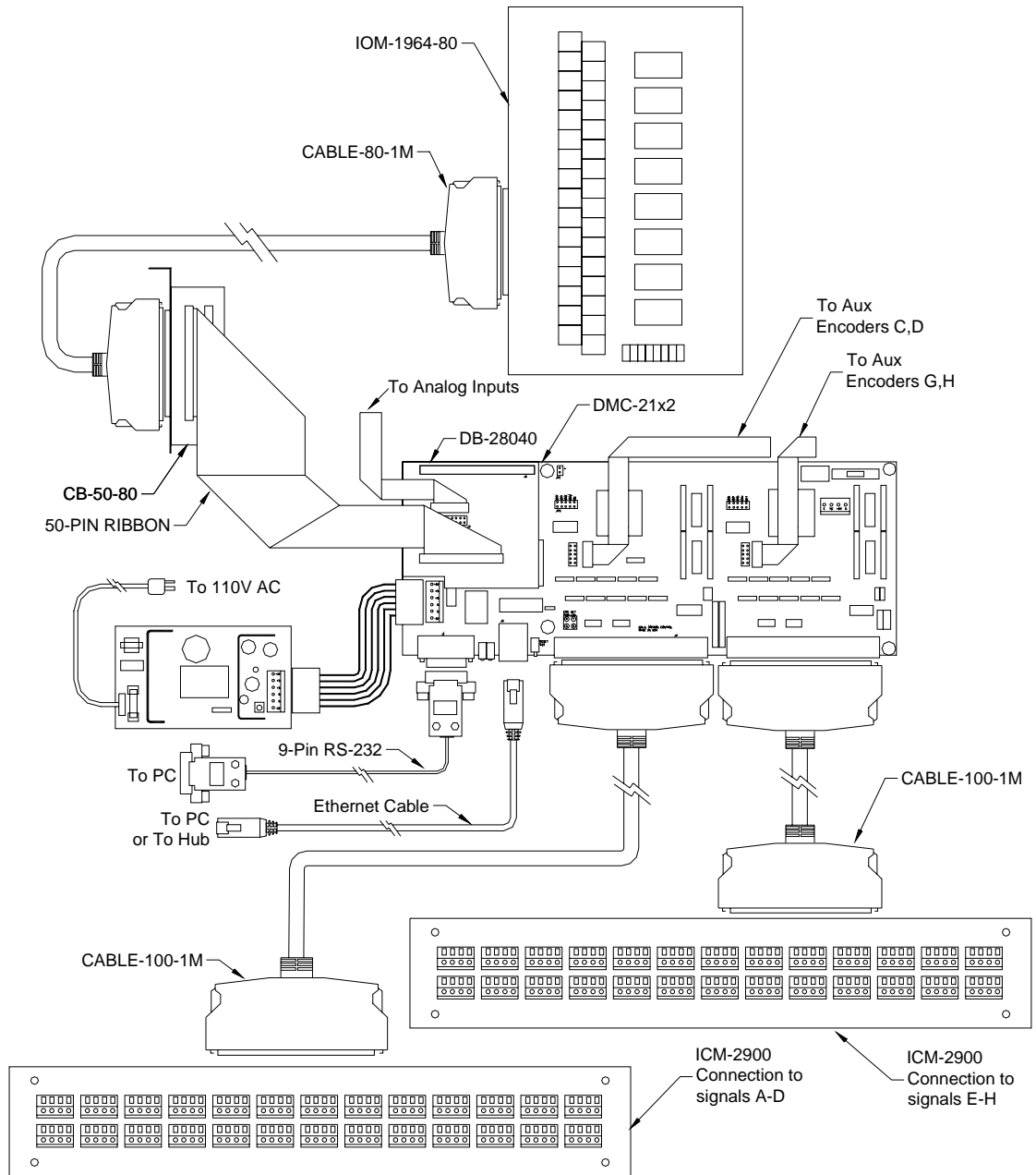


Figure 2-4 Recommended System Elements of DMC-2152-2182

For a complete system, Galil recommends the following elements:

- 1a. DMC-2112, 2122, 2132, or DMC-2142 Motion Controller
- or
- 1b. DMC-2152, 2162, 2172 or DMC-2182
  
- 2a. (1) ICM-2900 and (1) CABLE-100 for controllers DMC-2112 through DMC-2142
- or
- 2b. (2) ICM-2900's and (2) CABLE-100's for controllers DMC-2152 through DMC-2182.
- or
- 2c. An interconnect board provided by the user.
- 3. Motor Amplifiers.
- 4. Power Supply for Amplifiers.
- 5. Brush or Brushless Servo motors with Optical Encoders or stepper motors.
- 6. PC (Personal Computer - RS232 or Ethernet for DMC-21x2/21x3)
- 9a. WSDK-16 or WSDK-32 (recommend for first time users.)
- or
- 9b. DMCWIN16, DMCWIN32, Galil SmartTerminal or DMCDOS communication software.

The WSDK software is highly recommended for first time users of the DMC-21x2. It provides step-by-step instructions for system connection, tuning and analysis.

---

## Installing the DMC-21x2

Installation of a complete, operational DMC-21x2 system consists of 9 steps.

- Step 1.** Determine overall motor configuration.
- Step 2.** Install Jumpers on the DMC-21x2.
- Step 3.** Install communication Jumpers on the DMC-21x2.
- Step 4.** Install the communications software.
- Step 5.** Connect +5V, 12V DC power to controller. (Or correct DC voltage for –DC option)
- Step 6.** Establish communications with the Galil Communication Software.
- Step 7.** Determine the Axes to be used for sinusoidal commutation.
- Step 8.** Make connections to amplifier and encoder.
- Step 9a.** Connect standard servo motors.
- Step 9b.** Connect sinusoidal commutation motors
- Step 9c.** Connect step motors.
- Step 10.** Tune the servo system

## Step 1. Determine Overall Motor Configuration

Before setting up the motion control system, the user must determine the desired motor configuration. The DMC-21x2 can control any combination of standard servo motors, sinusoidally commutated brushless motors, and stepper motors. Other types of actuators, such as hydraulics can also be controlled, please consult Galil.

The following configuration information is necessary to determine the proper motor configuration:

### *Standard Servo Motor Operation:*

The DMC-21x2 has been setup by the factory for standard servo motor operation providing an analog command signal of +/- 10V. No hardware or software configuration is required for standard servo motor operation.

### *Sinusoidal Commutation:*

Sinusoidal commutation is configured through a single software command, BA. This configuration causes the controller to reconfigure the number of available control axes.

Each sinusoidally commutated motor requires two DAC's. In standard servo operation, the DMC-21x2 has one DAC per axis. In order to have the additional DAC for sinusoidal commutation, the controller must be designated as having one additional axis for each sinusoidal commutation axis. For example, to control two standard servo axes and one axis of sinusoidal commutation, the controller will require a total of four DAC's and the controller must be a DMC-2142.

Sinusoidal commutation is configured with the command, BA. For example, BAA sets the A axis to be sinusoidally commutated. The second DAC for the sinusoidal signal will be the highest available DAC on the controller. For example: Using a DMC-2142, the command BAA will configure the A axis to be the main sinusoidal signal and the 'D' axis to be the second sinusoidal signal.

The BA command also reconfigures the controller to indicate that the controller has one less axis of 'standard' control for each axis of sinusoidal commutation. For example, if the command BAA is given to a DMC-2142 controller, the controller will be re-configured to a DMC-2132 controller. By definition, a DMC-2132 controls 3 axes: A,B and C. The 'D' axis is no longer available since the output DAC is being used for sinusoidal commutation.

Further instruction for sinusoidal commutation connections are discussed in Step 6.

### *Stepper Motor Operation*

To configure the DMC-21x2 for stepper motor operation, the controller requires a jumper for each stepper motor and the command, MT, must be given. The installation of the stepper motor jumper is discussed in the following section entitled "Installing Jumpers on the DMC-21x2". Further instruction for stepper motor connections are discussed in Step 9.

## Step 2. Install Jumpers on the DMC-21x2

### *Master Reset and Upgrade Jumpers*

JP4 on the main board contains two jumpers, MRST and UPGRD. The MRST jumper is the Master Reset jumper. When MRST is connected, the controller will perform a master reset upon PC power up or upon the reset input going low. Whenever the controller has a master reset, all programs, arrays, variables, and motion control parameters stored in EEPROM will be ERASED.

The UPGRD jumper enables the user to unconditionally update the controller's firmware. This jumper is not necessary for firmware updates when the controller is operating normally, but may be necessary in cases of corrupted EEPROM. EEPROM corruption should never occur. However, it is possible if there is a power fault during a firmware update. If EEPROM corruption occurs, your controller may

not operate properly. In this case, install the UPGRD Jumper and use the update firmware function on the Galil Terminal to re-load the system firmware.

### ***Stepper Motor Jumpers***



For each axis that will be used for stepper motor operation, the corresponding stepper mode (SM) jumper must be connected. The stepper mode jumpers, labeled JP5 and JP7 are located directly beside the GL-1800 IC's on the main board (see the diagram of the DMC-21x2). The individual jumpers are labeled E thru H and configure the controller for 'Stepper Motors' for the corresponding axes X-W when installed. Contact the Galil factory if stepper motor jumpers should be placed on your controller with each order for special part numbers.

### ***(Optional) Motor Off Jumpers***

The state of the motor upon power up may be selected with the placement of a hardware jumper on the controller. With a jumper installed at the MO location, the controller will be powered up in the "motor off" state. The SH command will need to be issued in order for the motor to be enabled. With no jumper installed, the controller will immediately enable the motor upon power up. The MO command will need to be issued to turn the motor off. The MO jumper is always located on the same block of jumpers as the stepper motor jumpers (SM).

## **Step 3. Configure Communication Jumpers on the DMC-21x2**

The Baud rate of the RS-232 communication is set by installing jumpers on JP2. The following table describes the baud rate settings:

<b>1200</b>	<b>9600</b>	<b>BAUD RATE</b>
ON	OFF	1200
OFF	ON	9600
OFF	OFF	19200

## **Step 4. Install the Communications Software**

After applying power to the computer, you should install the Galil software that enables communication between the controller and PC.

### ***Using DOS:***

Using the Galil Software CD-ROM, go to the directory, DMCDOS. Type "INSTALL" at the DOS prompt and follow the directions.

### ***Using Windows 3.x (16 bit versions):***

Using the Galil Software CD ROM, go to the directory, DMCWIN16. Run DMCWIN16.exe at the Command prompt and follow the directions.

### *Using Windows 98, NT, ME, 2000 or XP (32 bit versions):*

The Galil Software CD-ROM will automatically begin the installation procedure when the CD-ROM is installed. After installing the Galil CD-ROM software on your computer, you can easily install other software components as desired. To install the basic communications software, run the Galil Software CD-ROM and choose “DMCSmartTerm”. This will install the Galil Smart Terminal which can be used for communication and programming of the controller.

## **Step 5. Connect +5V, 12V DC Power to the Controller**

Before applying power, connect the 100-pin cable between the DMC-21x2 and ICM-2900 interconnect module. If the –DC option was not ordered, then the DMC-21x2 requires +5V, 12V DC supply voltage. Confirm correct connections between the power supply pins and the controller. Serious damage will occur if the power supply is incorrectly wired. **Note:** If the –DC option was ordered, then the correct DC voltage should be connected (ie: 18-36V for –DC24 or 36-72V for -DC48 option) instead of the +5, 12V.

**WARNING: Dangerous voltages, current, temperatures and energy levels exist in this product and the associated amplifiers and servo motor(s). Extreme caution should be exercised in the application of this equipment. Only qualified individuals should attempt to install, set up and operate this equipment.**

The green power light indicator should go on when power is applied.

## **Step 6. Establish Communications with Galil Software**

### *Communicating through the Main Serial Communications Port*

Connect the DMC-21x2 serial port to your computer via the Galil CABLE-9PIN-D (RS-232 “Straight Through” Serial Cable).

### *Using Galil Software for DOS*

To communicate with the DMC-21x2, type TALK2DMC at the prompt. Once you have established communication, the terminal display should show a colon. If you do not receive a colon, press the carriage return. If a colon prompt is not returned, there is most likely an incorrect setting of the serial communications port. The user must ensure that the correct communication port and baud rate are specified when attempting to communicate with the controller. Please note that the serial port on the controller must be set for handshake mode for proper communication with Galil software. The user must also ensure that the proper serial cable is being used, see appendix for pin-out of serial cable.

### *Using Galil Software for Windows*

In order for the windows software to communicate with a Galil controller, the controller must be registered in the Windows Registry. To register a controller, you must specify the model of the controller, the communication parameters, and other information. The registry is accessed through the Galil software, such as WSDK or Galil Smart Terminal.

The registry window is equipped with buttons to Add a New Controller, change the Properties of an existing controller, Delete a controller, or Find an Ethernet Controller.

Use the “**New Controller**” button to add a new entry to the Registry. You will need to supply the Galil Controller model (eg: DMC-2102). Pressing the down arrow to the right of this field will reveal a menu of valid controller types. You then need to choose serial or Ethernet connection. The registry information will show a default Comm Port of 1 and a default Comm Speed of 19200 appears. This



information can be changed as necessary to reflect the computers Comm Port and the baud rate set by the controller's IDC jumpers (default is 19200). The registry entry also displays timeout and delay information. These are advanced parameters which should only be modified by advanced users (see software documentation for more information).

Once you have set the appropriate Registry information for your controller, Select OK and close the registry window. You will now be able to communicate with the DMC-21x2.

If you are not properly communicating with the controller, the program will pause for 3-15 seconds and an error message will be displayed. In this case, there is most likely an incorrect setting of the serial communications port or the serial cable is not connected properly. The user must ensure that the correct communication port and baud rate are specified when attempting to communicate with the controller. Please note that the serial port on the controller must be set for handshake mode for proper communication with Galil software. The user must also insure that a "straight-through" serial cable is being used (**NOT** a Null Modem cable), see appendix for pin-out of serial cable.

Once you establish communications, click on the menu for terminal and you will receive a colon prompt. Communicating with the controller is described in later sections.

### ***Using Non-Galil Communication Software***

The DMC-21x2 main serial port is configured as DATASET. Your computer or terminal must be configured as a DATATERM for full duplex, no parity, 8 data bits, one start bit and one stop bit.

Check to insure that the baud rate switches have been set to the desired baud rate as described above.

Your computer needs to be configured as a "dumb" terminal which sends ASCII characters as they are typed to the DMC-21x2. Use the EO command to specify if the characters should be echoed back from the controller.

## ***Communicating through the Ethernet***

### ***Using Galil Software for Windows***

The controller must be registered in the Windows registry for the host computer to communicate with it. The registry may be accessed via Galil software, such as WSDK or GALIL Smart Terminal.

Use the *New Controller* button to add a new entry in the registry or alternatively click on the *Find Ethernet Controller* to have the software search for controllers connected to the network. When adding a new controller, choose DMC-21x2 as the controller type. Enter the IP address obtained from your system administrator. Select the button corresponding to the UDP or TCP protocol in which you wish to communicate with the controller. If the IP address has not been already assigned to the controller, click on **ASSIGN IP ADDRESS**.

**ASSIGN IP ADDRESS** will check the controllers that are linked to the network to see which ones do not have an IP address. The program will then ask you whether you would like to assign the IP address you entered to the controller with the specified serial number. Click on **YES** to assign it, **NO** to move to next controller, or **CANCEL** to not save the changes. If there are no controllers on the network that do not have an IP address assigned, the program will state this.

When done registering, click on **OK**. If you do not wish to save the changes, click on **CANCEL**.

Once the controller has been registered, select the correct controller from the list and click on **OK**. If the software successfully established communications with the controller, the registry entry will be displayed at the bottom of the screen in the Status window.

**NOTE:** The controller must be registered via an Ethernet connection.

### ***Sending Test Commands to the Terminal:***

After you connect your terminal, press <return> or the <enter> key on your keyboard. In response to carriage return <return>, the controller responds with a colon. :

Now type

TPA <return>

This command directs the controller to return the current position of the A axis. The controller should respond with a number such as

0000000

After testing communication, enter <BN> to burn the IP address.

## **Step 7. Determine the Axes to be Used for Sinusoidal Commutation**

*\* This step is only required when the controller will be used to control a brushless motor(s) with sinusoidal commutation. Skip to Step 8 if you do not need sinusoidal commutation.*

The command, BA is used to select the axes of sinusoidal commutation. For example, BAAC sets A and C as axes with sinusoidal commutation.

### ***Notes on Configuring Sinusoidal Commutation:***

The command, BA, reconfigures the controller such that it has one less axis of 'standard' control for each axis of sinusoidal commutation. For example, if the command BAA is given to a DMC-2142 controller, the controller will be re-configured to be a DMC-2132 controller. In this case the highest axis is no longer available except to be used for the 2<sup>nd</sup> phase of the sinusoidal commutation. Note that the highest axis on a controller can never be configured for sinusoidal commutation.

The DAC associated with the selected axis represents the first phase. The second phase uses the highest available DAC. When more than one axis is configured for sinusoidal commutation, the controller will assign the second phases to the DACs which have been made available through the axes reconfiguration. The highest sinusoidal commutation axis will be assigned to the highest available DAC and the lowest sinusoidal commutation axis will be assigned to the lowest available DAC. Note that the lowest axis is the A axis and the highest axis is the highest available axis for which the controller has been configured.

### ***Example: Sinusoidal Commutation Configuration using a DMC-2172***

BAAC

This command causes the controller to be reconfigured as a DMC-2152 controller. The A and C axes are configured for sinusoidal commutation. The first phase of the A axis will be the motor command

A signal. The second phase of the A axis will be F signal. The first phase of the C axis will be the motor command C signal. The second phase of the C axis will be the motor command G signal.

## Step 8. Make Connections to Amplifier and Encoder

Once you have established communications between the software and the DMC-21x2, you are ready to connect the rest of the motion control system. The motion control system typically consists of a breakout module such as the ICM-2900 Interface Module, an amplifier for each axis of motion, and a motor to transform the current from the amplifier into torque for motion.

If you are using an ICM-2900, connect it to the DMC-21x2 via the 100-pin high density cable. The ICM-2900 provides screw terminals for access to the connections described in the following discussion.

**2182**

Motion Controllers with more than 4 axes require a second ICM-2900 and 100-pin cable.

System connection procedures will depend on system components and motor types. Any combination of motor types can be used with the DMC-21x2. If sinusoidal commutation is to be used, special attention must be paid to the reconfiguration of axes.

Here are the first steps for connecting a motion control system:

**Step A.** Connect the motor to the amplifier *with no connection to the controller*. Consult the amplifier documentation for instructions regarding proper connections. Connect and turn-on the amplifier power supply. If the amplifiers are operating properly, the motor should stand still even when the amplifiers are powered up.

**Step B.** Connect the amplifier enable signal.

Before making any connections from the amplifier to the controller, you need to verify that the ground level of the amplifier is either floating or at the same potential as earth.

**WARNING: When the amplifier ground is not isolated from the power line or when it has a different potential than that of the computer ground, serious damage may result to the computer, controller and amplifier.**

If you are not sure about the potential of the ground levels, connect the two ground signals (amplifier ground and earth) by a 10 K $\Omega$  resistor and measure the voltage across the resistor. Only if the voltage is zero, connect the two ground signals directly.

The amplifier enable signal is used by the controller to disable the motor. This signal is labeled AMPENA for the A axis on the ICM-2900 and should be connected to the enable signal on the amplifier. Note that many amplifiers designate this signal as the INHIBIT signal. Use the command, MO, to disable the motor amplifiers - check to ensure that the motor amplifiers have been disabled (often this is indicated by an LED on the amplifier).

This signal changes under the following conditions: the watchdog timer activates, the motor-off command, MO, is given, or the OE1 command (Enable Off On Error) is given and the position error exceeds the error limit. AMPEN can be used to disable the amplifier for these conditions.

The standard configuration of the AMPEN signal is TTL active high. In other words, the AMPEN signal will be high when the controller expects the amplifier to be enabled. The polarity and the amplitude can be changed if you are using the ICM-2900 interface board. To change the polarity from active high (5 volts = enable, zero volts = disable) to active low (zero volts = enable, 5 volts = disable), replace the 7407 IC with a 7406. Note that many amplifiers designate the enable input as 'inhibit'.

To change the voltage level of the AMPEN signal, note the state of the resistor pack on the ICM-2900. When Pin 1 is on the 5V mark, the output voltage is 0-5V. To change to 12 volts, pull the resistor pack and rotate it so that Pin 1 is on the 12 volt side. If you remove the

resistor pack, the output signal is an open collector, allowing the user to connect an external supply with voltages up to 24V (through a current limiting resistor).

### Step C. Connect the encoders

For stepper motor operation, an encoder is optional.

For servo motor operation, if you have a preferred definition of the forward and reverse directions, make sure that the encoder wiring is consistent with that definition.

The DMC-21x2 accepts single-ended or differential encoder feedback with or without an index pulse. If you are not using the ICM-2900 you will need to consult the appendix for the encoder pinouts for connection to the motion controller. The ICM-2900 accepts encoder feedback via individual signal leads. Simply match the leads from the encoder you are using to the encoder feedback inputs on the interconnect board. The signal leads are labeled CHA (channel A), CHB (channel B), and INDEX. For differential encoders, the complement signals are labeled CHA-, CHB-, and INDEX-.

**NOTE:** When using pulse and direction encoders, the pulse signal is connected to CHA and the direction signal is connected to CHB. The controller must be configured for pulse and direction with the command CE. See the command summary for further information on the command CE.

### Step D. Verify proper encoder operation.

Start with the A encoder first. Once it is connected, turn the motor shaft and interrogate the position with the instruction TPA <return>. The controller response will vary as the motor is turned.

At this point, if TPA does not vary with encoder rotation, there are three possibilities:

1. The encoder connections are incorrect - check the wiring as necessary.
2. The encoder has failed - using an oscilloscope, observe the encoder signals. Verify that both channels A and B have a peak magnitude between 5 and 12 volts. Note that if only one encoder channel fails, the position reporting varies by one count only. If the encoder failed, replace the encoder. If you cannot observe the encoder signals, try a different encoder.
3. There is a hardware failure in the controller - connect the same encoder to a different axis. If the problem disappears, you probably have a hardware failure. Consult the factory for help.

### Step E. Connect Hall Sensors if available.

Hall sensors are only used with sinusoidal commutation and are not necessary for proper operation. The use of hall sensors allows the controller to automatically estimate the commutation phase upon reset and also provides the controller the ability to set a more precise commutation phase. Without hall sensors, the commutation phase must be determined manually.

The hall effect sensors are connected to the digital inputs of the controller. These inputs can be used with the general use inputs (bits 1-8), the auxiliary encoder inputs (bits 81-96), or the extended I/O inputs of the DMC-21x2 controller (bits 17-56).

**NOTE:** The general use inputs are TTL - for more information regarding the digital inputs, see Chapter 3, Connecting Hardware.

Each set of sensors must use inputs that are in consecutive order. The input lines are specified with the command, BI. For example, if the Hall sensors of the C axis are connected to inputs 6, 7 and 8, use the instruction:

BI ,, 6 or

BIC = 6

## Step 9a. Connect Standard Servo Motors

The following discussion applies to connecting the DMC-21x2 controller to standard servo motor amplifiers:

The motor and the amplifier may be configured in the torque or the velocity mode. In the torque mode, the amplifier gain should be such that a 10 Volt signal generates the maximum required current. In the velocity mode, a command signal of 10 Volts should run the motor at the maximum required speed.

Step by step directions on servo system setup are also included on the WSDK (Windows Servo Design Kit) software offered by Galil. See section on WSDK for more details.

### Step A. Check the Polarity of the Feedback Loop

*It is assumed that the motor and amplifier are connected together and that the encoder is operating correctly (Step B).* Before connecting the motor amplifiers to the controller, read the following discussion on setting Error Limits and Torque Limits. Note that this discussion only uses the A axis as an example.

### Step B. Set the Error Limit as a Safety Precaution

Usually, there is uncertainty about the correct polarity of the feedback. The wrong polarity causes the motor to run away from the starting position. Using a terminal program, such as Galil SmartTerminal, the following parameters can be given to avoid system damage:

Input the commands:

ER 2000 <CR> Sets error limit on the A axis to be 2000 encoder counts

OE 1 <CR> Disables A axis amplifier when excess position error exists

If the motor runs away and creates a position error of 2000 counts, the motor amplifier will be disabled.

**NOTE:** This function requires the AMPEN signal to be connected from the controller to the amplifier.

### Step C. Set Torque Limit as a Safety Precaution

To limit the maximum voltage signal to your amplifier, the DMC-21x2 controller has a torque limit command, TL. This command sets the maximum voltage output of the controller and can be used to avoid excessive torque or speed when initially setting up a servo system.

When operating an amplifier in torque mode, the voltage output of the controller will be directly related to the torque output of the motor. The user is responsible for determining this relationship using the documentation of the motor and amplifier. The torque limit can be set to a value that will limit the motors output torque.

When operating an amplifier in velocity or voltage mode, the voltage output of the controller will be directly related to the velocity of the motor. The user is responsible for determining this relationship using the documentation of the motor and amplifier. The torque limit can be set to a value that will limit the speed of the motor.

For example, the following command will limit the output of the controller to 1 volt on the X axis:

TL 1 <CR>

**NOTE:** Once the correct polarity of the feedback loop has been determined, the torque limit should, in general, be increased to the default value of 9.998. The servo will not operate properly if the torque limit is below the normal operating range. See description of TL in the command reference.

#### **Step D. Connect the Motor**

Once the parameters have been set, connect the analog motor command signal (ACMD) to the amplifier input.

To test the polarity of the feedback, command a move with the instruction:

PR 1000 <CR>    Position relative 1000 counts

BGA <CR>        Begin motion on A axis

When the polarity of the feedback is wrong, the motor will attempt to run away. The controller should disable the motor when the position error exceeds 2000 counts. If the motor runs away, the polarity of the loop must be inverted.

### ***Inverting the Loop Polarity***

When the polarity of the feedback is incorrect, the user must invert the loop polarity and this may be accomplished by several methods. If you are driving a brush-type DC motor, the simplest way is to invert the two motor wires (typically red and black). For example, switch the M1 and M2 connections going from your amplifier to the motor. When driving a brushless motor, the polarity reversal may be done with the encoder. If you are using a single-ended encoder, interchange the signal CHA and CHB. If, on the other hand, you are using a differential encoder, interchange only CHA+ and CHA-. The loop polarity and encoder polarity can also be affected through software with the MT, and CE commands. For more details on the MT command or the CE command, see the Command Reference section.

Sometimes the feedback polarity is correct (the motor does not attempt to run away) but the direction of motion is reversed with respect to the commanded motion. If this is the case, reverse the motor leads AND the encoder signals.

If the motor moves in the required direction but stops short of the target, it is most likely due to insufficient torque output from the motor command signal ACMD. This can be alleviated by reducing system friction on the motors. The instruction:

TTA <return>    Tell torque on A

reports the level of the output signal. It will show a non-zero value that is below the friction level.

Once you have established that you have closed the loop with the correct polarity, you can move on to the compensation phase (servo system tuning) to adjust the PID filter parameters, KP, KD and KI. It is necessary to accurately tune your servo system to ensure fidelity of position and minimize motion oscillation as described in the next section.

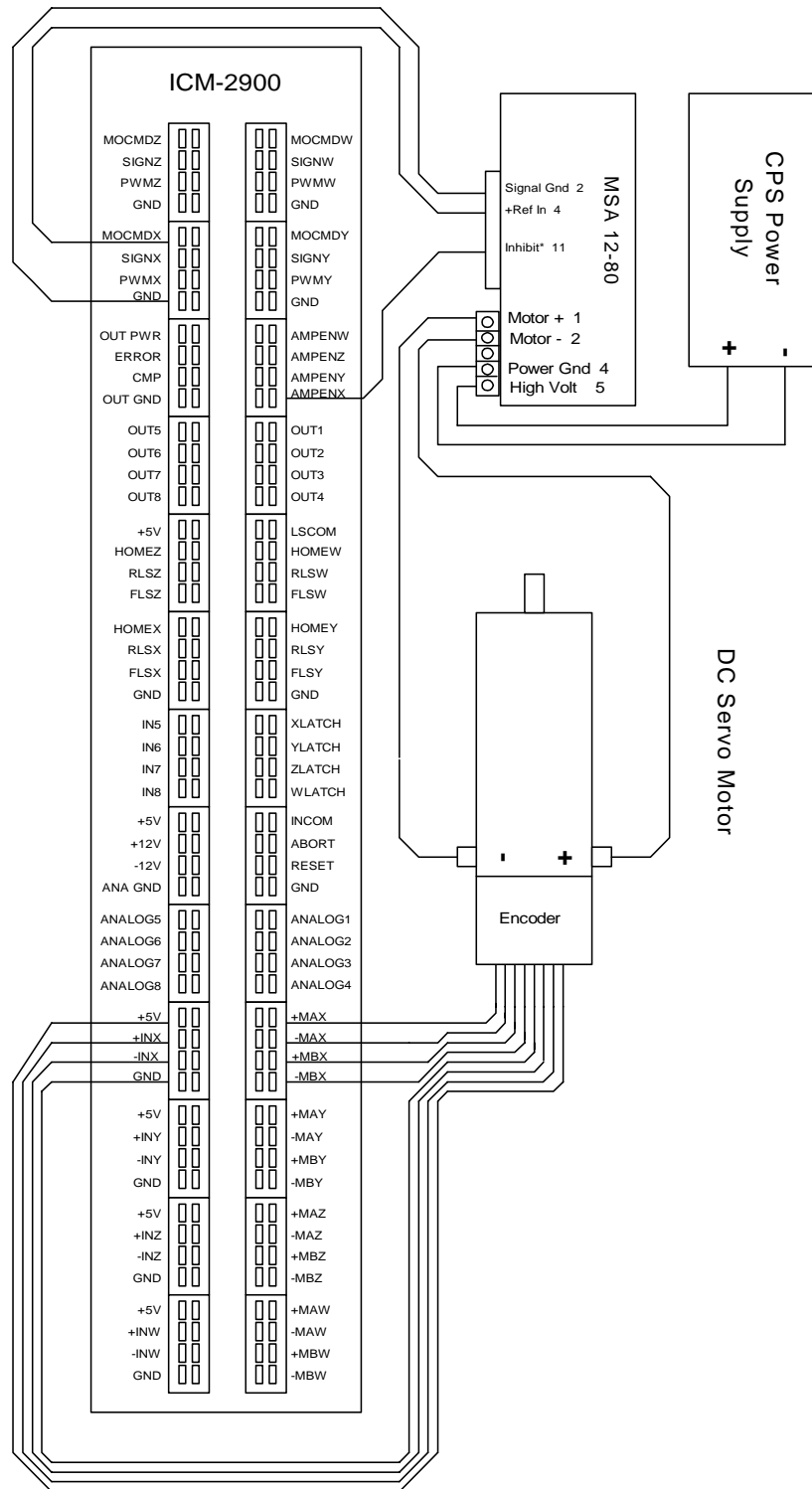


Figure 2-5 System Connections with a separate amplifier (MSA 12-80). This diagram shows the connections for a standard DC Servo Motor and encoder

## Step 9b. Connect Sinusoidal Commutation Motors

*\* This step is only required when the controller will be used to control a brushless motor(s) with sinusoidal commutation. Skip to Step 9c if you do not need sinusoidal commutation.*

When using sinusoidal commutation, the parameters for the commutation must be determined and saved in the controllers non-volatile memory. The setup for sinusoidal commutation is different when using Hall Sensors. Each step which is affected by Hall Sensor Operation is divided into two parts, part 1 and part 2. After connecting sinusoidal commutation motors, the servos must be tuned as described in Step 10.

### Step A. Disable the motor amplifier

Use the command, MO, to disable the motor amplifiers. For example, MOA will turn the A axis motor off.

### Step B. Connect the motor amplifier to the controller.

The sinusoidal commutation amplifier requires 2 signals, usually denoted as Phase A & Phase B. These inputs should be connected to the two sinusoidal signals generated by the controller. The first signal is the axis specified with the command, BA (Step 6). The second signal is associated with the highest analog command signal available on the controller - note that this axis was made unavailable for standard servo operation by the command BA.

When more than one axis is configured for sinusoidal commutation, the controller will assign the second phase to the command output which has been made available through the axes reconfiguration. The 2<sup>nd</sup> phase of the highest sinusoidal commutation axis will be the highest command output and the 2<sup>nd</sup> phase of the lowest sinusoidal commutation axis will be the lowest command output.

It is not necessary to be concerned with cross-wiring the 1<sup>st</sup> and 2<sup>nd</sup> signals. If this wiring is incorrect, the setup procedure will alert the user (Step D).

## ***Example: Sinusoidal Commutation Configuration using a DMC-2172***

BAAC

This command causes the controller to be reconfigured as a DMC-2152 controller. The A and C axes are configured for sinusoidal commutation. The first phase of the A axis will be the motor command A signal. The second phase of the A axis will be the motor command F signal. The first phase of the C axis will be the motor command C signal. The second phase of the C axis will be the motor command G signal.

### Step C. Specify the Size of the Magnetic Cycle.

Use the command, BM, to specify the size of the brushless motors magnetic cycle in encoder counts. For example, if the X axis is a linear motor where the magnetic cycle length is 62 mm, and the encoder resolution is 1 micron, the cycle equals 62,000 counts. This can be commanded with the command:

BM 62000

On the other hand, if the C axis is a rotary motor with 4000 counts per revolution and 3 magnetic cycles per revolution (three pole pairs) the command is:

BM,, 1333.333

### Step D - part 1 (Systems with or without Hall Sensors). Test the Polarity of the DACs



Use the brushless motor setup command, BS, to test the polarity of the output DACs. This command applies a certain voltage, V, to each phase for some time T, and checks to see if the motion is in the correct direction.

The user must specify the value for V and T. For example, the command:

```
BSA = 2,700
```

will test the A axis with a voltage of 2 volts, applying it for 700 milliseconds for each phase. In response, this test indicates whether the DAC wiring is correct and will indicate an approximate value of BM. If the wiring is correct, the approximate value for BM will agree with the value used in the previous step.

**NOTE:** In order to properly conduct the brushless setup, the motor must be allowed to move a minimum of one magnetic cycle in both directions.

**NOTE:** When using Galil Windows software, the timeout must be set to a minimum of 10 seconds (time-out = 10000) when executing the BS command. This allows the software to retrieve all messages returned from the controller.

**Step D - part 2 (Systems with Hall Sensors Only).** Test the Hall Sensor Configuration.

Since the Hall sensors are connected randomly, it is very likely that they are wired in the incorrect order. The brushless setup command indicates the correct wiring of the Hall sensors. The hall sensor wires should be re-configured to reflect the results of this test.

The setup command also reports the position offset of the hall transition point and the zero phase of the motor commutation. The zero transition of the Hall sensors typically occur at 0°, 30° or 90° of the phase commutation. It is necessary to inform the controller about the offset of the Hall sensor and this is done with the instruction, BB.

**Step E.** Save Brushless Motor Configuration

It is very important to save the brushless motor configuration in non-volatile memory. After the motor wiring and setup parameters have been properly configured, the burn command, BN, should be given.

**NOTE:** Without hall sensors, the controller will not be able to estimate the commutation phase of the brushless motor. In this case, the controller could become unstable until the commutation phase has been set using the BZ command (see next step). It is highly recommended that the motor off command be given before executing the BN command. In this case, the motor will be disabled upon power up or reset and the commutation phase can be set before enabling the motor.

**Step F - part 1 (Systems with or without Hall Sensors).** Set Zero Commutation Phase

When an axis has been defined as sinusoidally commutated, the controller must have an estimate for commutation phase. When hall sensors are used, the controller automatically estimates this value upon reset of the controller. If no hall sensors are used, the controller will not be able to make this estimate and the commutation phase must be set before enabling the motor.

To initialize the commutation without Hall effect sensor use the command, BZ. This function drives the motor to a position where the commutation phase is zero, and sets the phase to zero.

The BZ command is followed by real numbers in the fields corresponding to the driven axes. The number represents the voltage to be applied to the amplifier during the initialization. When the voltage is specified by a positive number, the initialization process ends up in the motor off (MO) state. A negative number causes the process to end in the Servo Here (SH) state.

**WARNING: This command must move the motor to find the zero commutation phase. This movement is instantaneous and will cause the system to jerk. Larger applied voltages will cause more severe motor jerk. The applied voltage will typically be sufficient for proper operation of the BZ command. For systems with significant friction, this voltage may need to be increased and for systems with very small motors, this value should be decreased. For example:**

**BZ -2, 0,1**

**will drive both A and C axes to zero, will apply 2V and 1V respectively to A and C and will end up with A in SH and C in MO.**

#### **Step F - part 2 (Systems with Hall Sensors Only). Set Zero Commutation Phase**

With hall sensors, the estimated value of the commutation phase is good to within 30°. This estimate can be used to drive the motor but a more accurate estimate is needed for efficient motor operation. There are 3 possible methods for commutation phase initialization:

**Method 1.** Use the BZ command as described above.

**Method 2.** Drive the motor close to commutation phase of zero and then use BZ command. This method decreases the amount of system jerk by moving the motor close to zero commutation phase before executing the BZ command. The controller makes an estimate for the number of encoder counts between the current position and the position of zero commutation phase. This value is stored in the operand `_BZn`. Using this operand the controller can be commanded to move the motor. The BZ command is then issued as described above. For example, to initialize the A axis motor upon power or reset, the following commands may be given:

```
SHA                ;Enable A axis motor
PRA=-1*(_BZA)     ;Move A motor close to zero commutation phase
BGA                ;Begin motion on A axis
AMA                ;Wait for motion to complete on A axis
BZA=-1            ;Drive motor to commutation phase zero and leave
                  ;motor on
```

**Method 3.** Use the command, BC. This command uses the hall transitions to determine the commutation phase. Ideally, the hall sensor transitions will be separated by exactly 60° and any deviation from 60° will affect the accuracy of this method. If the hall sensors are accurate, this method is recommended. The BC command monitors the hall sensors during a move and monitors the Hall sensors for a transition point. When that occurs, the controller computes the commutation phase and sets it. For example, to initialize the A axis motor upon power or reset, the following commands may be given:

```
SHA                ;Enable A axis motor
BCA                ;Enable the brushless calibration command
PRA=50000          ;Command a relative position movement on A axis
BGA                ;Begin motion on A axis. When the hall sensors
                  ; detect a phase transition, the commutation phase is
                  ;re-set.
```



## Step 9c. Connect Step Motors

In Stepper Motor operation, the pulse output signal has a 50% duty cycle. Step motors operate open loop and do not require encoder feedback. When a stepper is used, the auxiliary encoder for the corresponding axis is unavailable for an external connection. If an encoder is used for position feedback, connect the encoder to the main encoder input corresponding to that axis. The commanded position of the stepper can be interrogated with RP or TD. The encoder position can be interrogated with TP.

The frequency of the step motor pulses can be smoothed with the filter parameter, KS. The KS parameter has a range between 0.5 and 8, where 8 implies the largest amount of smoothing. *See Command Reference regarding KS.*

The DMC-21x2 profiler commands the step motor amplifier. All DMC-21x2 motion commands apply such as PR, PA, VP, CR and JG. The acceleration, deceleration, slew speed and smoothing are also used. Since step motors run open-loop, the PID filter does not function and the position error is not generated.

To connect step motors with the DMC-21x2 you must follow this procedure:

### Step A. Install SM jumpers

Each axis of the DMC-21x2 that will operate a stepper motor must have the corresponding stepper motor jumper installed.

### Step B. Connect step and direction signals from controller to motor amplifier

From the controller to respective signals on your step motor amplifier. (These signals are labeled PULSX and DIRX for the A-axis on the ICM-2900). Consult the documentation for your step motor amplifier.

### Step C. Configure DMC-21x2 for motor type using MT command. You can configure the DMC-21x2 for active high or active low pulses. Use the command MT 2 for active low step motor pulses and MT -2 for active high step motor pulses. *See description of the MT command in the Command Reference.*

## Step 10. Tune the Servo System

Adjusting the tuning parameters is required when using servo motors (standard or sinusoidal commutation). The system compensation provides fast and accurate response and the following presentation suggests a simple and easy way for compensation. More advanced design methods are available with software design tools from Galil, such as the Windows Servo Design Kit (WSDK software )

The filter has three parameters: the damping, KD; the proportional gain, KP; and the integrator, KI. The parameters should be selected in this order.

To start, set the integrator to zero with the instruction

```
KI 0 <return> Integrator gain
```

and set the proportional gain to a low value, such as

```
KP 1 <return> Proportional gain
```

```
KD 100 <return> Derivative gain
```

For more damping, you can increase KD (maximum is 4095). Increase gradually and stop after the motor vibrates. A vibration is noticed by audible sound or by interrogation. If you send the command

```
TEA <return> Tell error on A axis
```

a few times, and get varying responses, especially with reversing polarity, it indicates system vibration. When this happens, simply reduce KD.

Next you need to increase the value of KP gradually (maximum allowed is 1023). You can monitor the improvement in the response with the Tell Error instruction

```
KP 10 <return> Proportion gain
```

```
TEA <return> Tell error on A axis
```

As the proportional gain is increased, the error decreases.

Again, the system may vibrate if the gain is too high. In this case, reduce KP. Typically, KP should not be greater than  $KD/4$ . (When the amplifier is configured in the current mode).

Finally, to select KI, start with zero value and increase it gradually. The integrator eliminates the position error, resulting in improved accuracy. Therefore, the response to the instruction

```
TEA <return>
```

becomes zero. As KI is increased, its effect is amplified and it may lead to vibrations. If this occurs, simply reduce KI. Repeat tuning for the B, C and D axes.

**For a more detailed description of the operation of the PID filter and/or servo system theory, see Chapter 10 - Theory of Operation.**

# The DMC-2113 through DMC-2143 Main Board

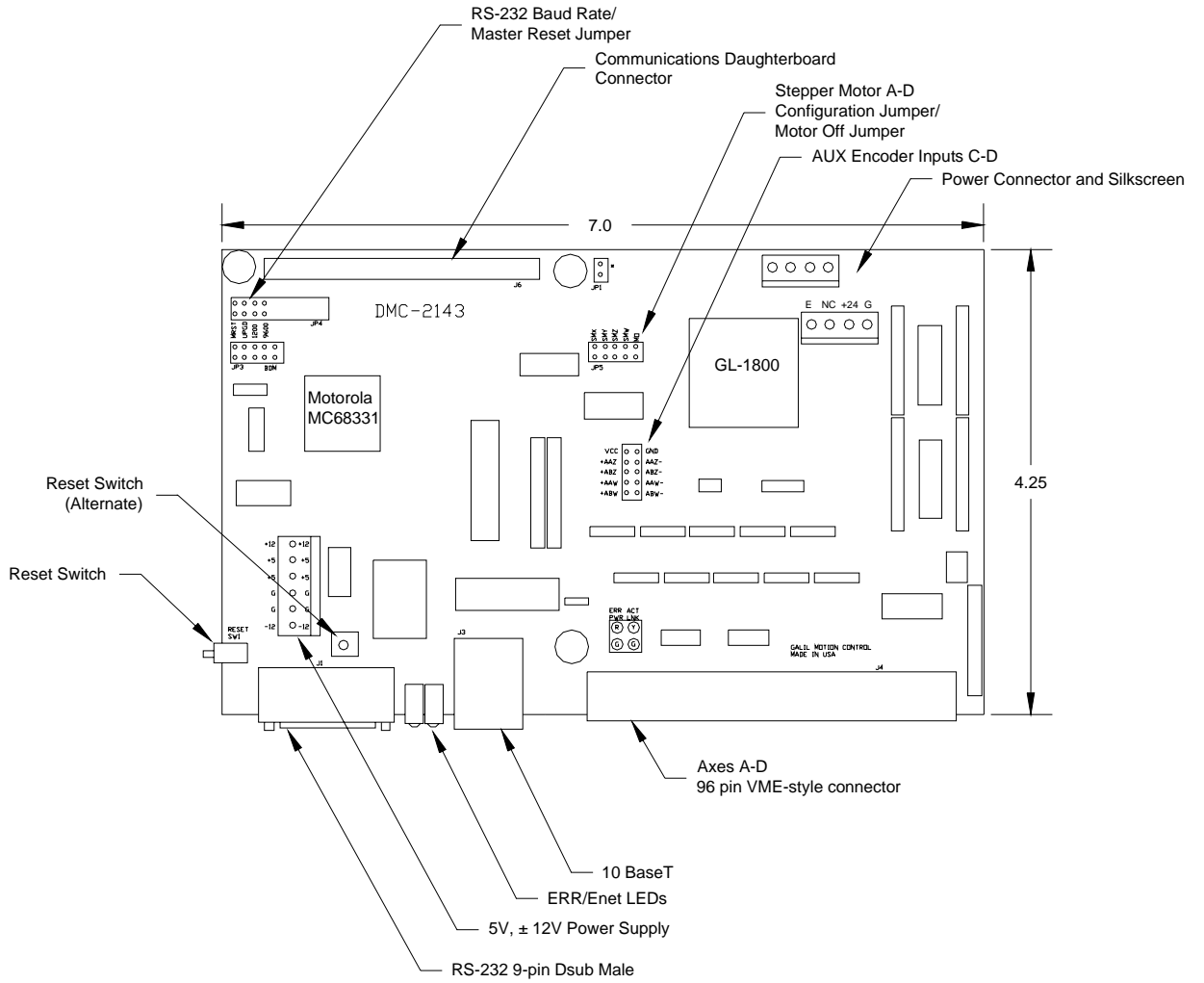


Figure 2-6 - Outline of the main board of the DMC-2113-2143

# The DMC-2153 through DMC-2183 Main Board

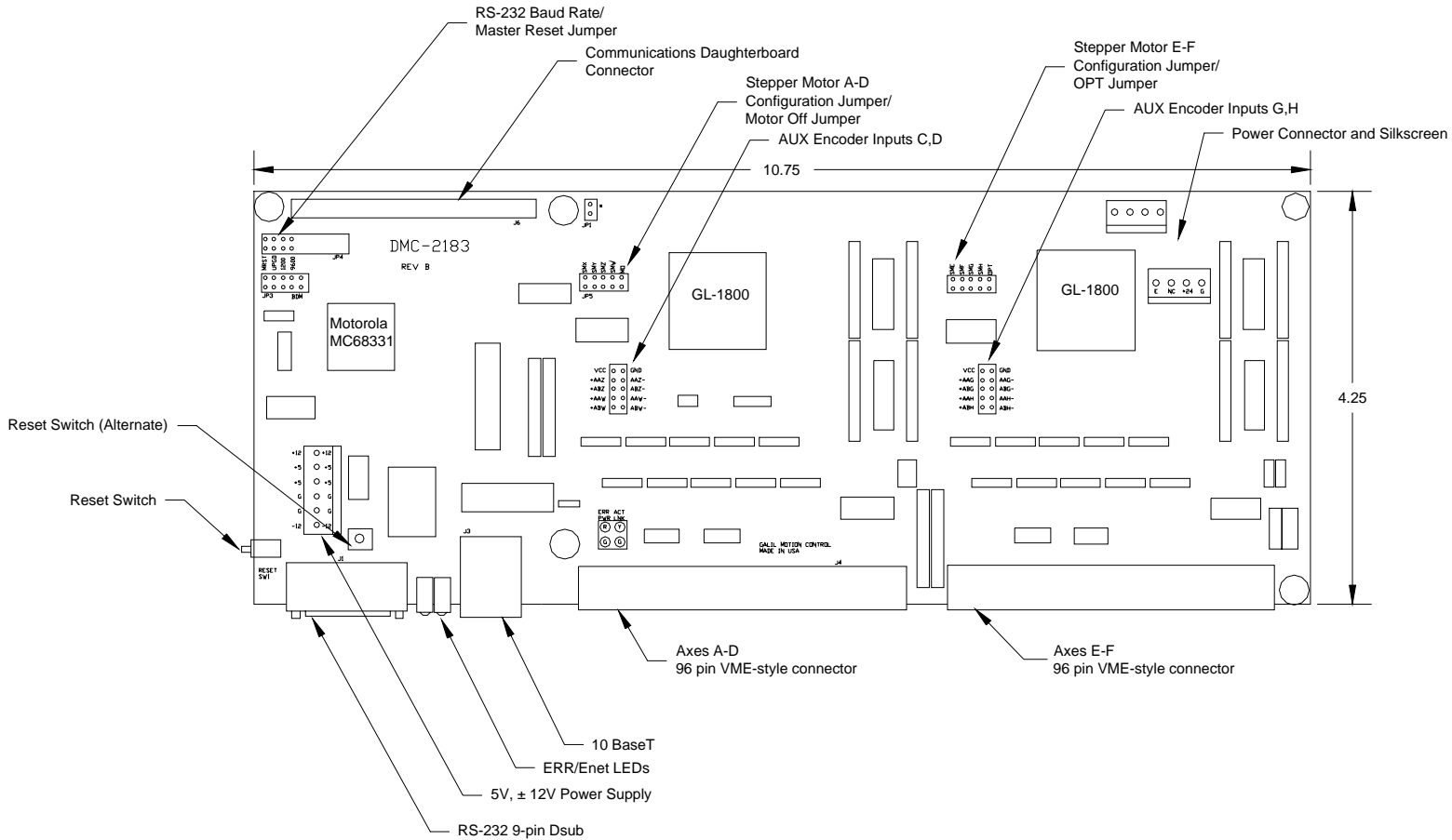


Figure 2-7 - Outline of the main board of the DMC-2153-2183

For a complete system, Galil recommends the following elements:

- 1a. DMC-2113, 2123, 2133, or DMC-2143 Motion Controller
- or
- 1b. DMC-2153, 2163, 2173 or DMC-2183
  
- 2a. (1) ICM-20100 (D-sub connectors) OR ICM-20105 (D-sub with opto-isolation) OR SDM-20240 (stepper drive module) OR AMP-20340 (20W servo amp module) OR AMP-20440 (200W servo amp module) OR AMP-20540 (500W brush/brushless amplifier modules)
- or
- 2b. (2) ICM-20100 (D-sub connectors) OR ICM-20105 (D-sub with opto-isolation) AND/OR SDM-20240 (stepper drive module) OR AMP-20340 (20W servo amp module) OR AMP-20440 (200W servo amp module) OR AMP-20540 (500W brush/brushless amplifier module).  
Feel free to mix and match.
- 3a. Motor Amplifiers if the ICM-20100/20105 is used.
- 3b. Power Supply for Amplifiers.
- 4. Brush or Brushless Servo motors with Optical Encoders or stepper motors.
- 5. PC (Personal Computer - RS232 or Ethernet for DMC-21x2/21x3)
- 6a. WSDK-16 or WSDK-32 (recommend for first time users.)
- or
- 6b. DMCWIN16, DMCWIN32, Galil SmartTerminal or DMCDOS communication software.

The WSDK software is highly recommended for first time users of the DMC-21x2/21x3. It provides step-by-step instructions for system connection, tuning and analysis.

---

## Installing the DMC-21x3

Installation of a complete, operational DMC-21x3 system consists of 9 steps.

- Step 1.** Determine overall motor configuration.
- Step 2.** Install jumpers on the DMC-21x3 and mount required interconnect module.
- Step 3.** Install communication Jumpers on the DMC-21x3.
- Step 4.** Install the communications software.
- Step 5.** Connect +5V, 12V DC power to controller. (Or correct DC voltage for –DC option)
- Step 6.** Establish communications with the Galil Communication Software.
- Step 7.** Determine the axes to be used for sinusoidal commutation.
- Step 8.** Make connections to amplifier and encoder.
- Step 9a.** Connect standard servo motors.
- Step 9b.** Connect sinusoidal commutation motors
- Step 9c.** Connect step motors.
- Step 10.** Tune the servo system

## Step 1. Determine Overall Motor Configuration

Before setting up the motion control system, the user must determine the desired motor configuration. The DMC-21x3 can control any combination of standard servo motors, sinusoidally commutated brushless motors, and stepper motors. Depending on need, the user can either rely on the optional amplifiers or use the ICM-20100/ICM-20105 to split the signals as required. Other types of actuators, such as hydraulics, can also be controlled, please consult Galil.

The following configuration information is necessary to determine the proper motor configuration:

### *Standard Servo Motor Operation:*

The DMC-21x3 has been setup by the factory for standard servo motor operation providing an analog command signal of +/- 10V. No hardware or software configuration is required for standard servo motor operation.

### *Sinusoidal Commutation:*

Sinusoidal commutation is configured through a single software command, BA. This configuration causes the controller to reconfigure the number of available control axes.

Each sinusoidally commutated motor requires two DAC's. In standard servo operation, the DMC-21x3 has one DAC per axis. In order to have the additional DAC for sinusoidal commutation, the controller must be designated as having one additional axis for each sinusoidal commutation axis. For example, to control two standard servo axes and one axis of sinusoidal commutation, the controller will require a total of four DAC's and the controller must be a DMC-2143.

Sinusoidal commutation is configured with the command, BA. For example, BAA sets the A axis to be sinusoidally commutated. The second DAC for the sinusoidal signal will be the highest available DAC on the controller. For example: Using a DMC-2143, the command BAA will configure the A axis to be the main sinusoidal signal and the 'D' axis to be the second sinusoidal signal.

The BA command also reconfigures the controller to indicate that the controller has one less axis of 'standard' control for each axis of sinusoidal commutation. For example, if the command BAA is given to a DMC-2143 controller, the controller will be re-configured to a DMC-2133 controller. By definition, a DMC-2133 controls 3 axes: A,B and C. The 'D' axis is no longer available since the output DAC is being used for sinusoidal commutation.

For sinusoidal operation, Galil recommends using the ICM-20100/20105. For trapezoidal commutation, Galil offers the AMP-20540.

Further instruction for sinusoidal commutation connections are discussed in Step 6.

### *Stepper Motor Operation*

To configure the DMC-21x3 for stepper motor operation, the controller requires a jumper for each stepper motor and the command, MT, must be given. The installation of the stepper motor jumper is discussed in the following section entitled "Installing Jumpers on the DMC-21x2/21x3". The step and direction signals are available on the ICM-20100/20105 module or the SDM-20240 stepper drive module can power the motors. Further instruction for stepper motor connections are discussed in Step 9.

The step and direction signals are available thru the ICM-20100/20105, or the SDM-20240 stepper drive module can power the motors.



## Step 2. Install Jumpers on the DMC-21x3

### *Master Reset and Upgrade Jumpers*

JP4 on the main board contains two jumpers, MRST and UPGRD. The MRST jumper is the Master Reset jumper. When MRST is connected, the controller will perform a master reset upon PC power up or upon the reset input going low. Whenever the controller has a master reset, all programs, arrays, variables, and motion control parameters stored in EEPROM will be ERASED.

The UPGRD jumper enables the user to unconditionally update the controller's firmware. This jumper is not necessary for firmware updates when the controller is operating normally, but may be necessary in cases of corrupted EEPROM. EEPROM corruption should never occur. However, it is possible if there is a power fault during a firmware update. If EEPROM corruption occurs, your controller may not operate properly. In this case, install the UPGRD Jumper and use the update firmware function on the Galil Terminal to re-load the system firmware.

### *Stepper Motor Jumpers*



For each axis that will be used for stepper motor operation, the corresponding stepper mode (SM) jumper must be connected. The stepper mode jumpers, labeled JP5 and JP7 are located directly beside the GL-1800 IC's on the main board (see the diagram of the DMC-21x3). The individual jumpers are labeled E thru H and configure the controller for 'Stepper Motors' for the corresponding axes X-W when installed. Contact the Galil factory if stepper motor jumpers should be placed on your controller with each order for special part numbers.

### *(Optional) Motor Off Jumpers*

The state of the motor upon power up may be selected with the placement of a hardware jumper on the controller. With a jumper installed at the MO location, the controller will be powered up in the "motor off" state. The SH command will need to be issued in order for the motor to be enabled. With no jumper installed, the controller will immediately enable the motor upon power up. The MO command will need to be issued to turn the motor off. The MO jumper is always located on the same block of jumpers as the stepper motor jumpers (SM).

## Step 3. Configure Communication Jumpers on the DMC-21x3

The Baud rate of the RS-232 communication is set by installing jumpers on JP2. The following table describes the baud rate settings:

1200	9600	BAUD RATE
ON	OFF	1200
OFF	ON	9600
OFF	OFF	19200

## Step 4. Install the Communications Software

After applying power to the computer, you should install the Galil software that enables communication between the controller and PC.

### *Using DOS:*

Using the Galil Software CD-ROM, go to the directory, DMCDOS. Type "INSTALL" at the DOS prompt and follow the directions.

### *Using Windows 98SE, NT, ME, 2000 or XP (32 bit versions):*

The Galil Software CD-ROM will automatically begin the installation procedure when the CD-ROM is installed. After installing the Galil CD-ROM software on your computer, you can easily install other software components as desired. To install the basic communications software, run the Galil Software CD-ROM and choose "DMCSmartTerm". This will install the Galil Smart Terminal which can be used for communication and programming of the controller.

## Step 5. Connect +5V, 12V DC Power to the Controller

Before applying power, connect the appropriate breakout module to the DMC-21x3. If the –DC option was not ordered, then the DMC-21x3 requires +5V, 12V DC supply voltage. Confirm correct connections between the power supply pins and the controller. Serious damage will occur if the power supply is incorrectly wired. **Note:** If the –DC option was ordered, then the correct DC voltage should be connected (ie: 18-36V for –DC24 or 36-72V for -DC48 option) instead of the +5, 12V.

**WARNING: Dangerous voltages, current, temperatures and energy levels exist in this product and the associated amplifiers and servo motor(s). Extreme caution should be exercised in the application of this equipment. Only qualified individuals should attempt to install, set up and operate this equipment.**

The green power light indicator should go on when power is applied.

## Step 6. Establish Communications with Galil Software

### *Communicating through the Main Serial Communications Port*

Connect the DMC-21x3 serial port to your computer via the Galil CABLE-9PIN-D (RS-232 "Straight Through" Serial Cable).

### *Using Galil Software for DOS*

To communicate with the DMC-21x3, type TALK2DMC at the prompt. Once you have established communication, the terminal display should show a colon. If you do not receive a colon, press the carriage return. If a colon prompt is not returned, there is most likely an incorrect setting of the serial communications port. The user must ensure that the correct communication port and baud rate are specified when attempting to communicate with the controller. Please note that the serial port on the controller must be set for handshake mode for proper communication with Galil software. The user must also ensure that the proper serial cable is being used, see appendix for pin-out of serial cable.

### *Using Galil Software for Windows*

In order for the windows software to communicate with a Galil controller, the controller must be registered in the Windows Registry. To register a controller, you must specify the model of the

controller, the communication parameters, and other information. The registry is accessed through the Galil software, such as WSDK or Galil Smart Terminal.

The registry window is equipped with buttons to Add a New Controller, change the Properties of an existing controller, Delete a controller, or Find an Ethernet Controller.

Use the “**New Controller**” button to add a new entry to the Registry. You will need to supply the Galil Controller model (eg: DMC-2113). Pressing the down arrow to the right of this field will reveal a menu of valid controller types. You then need to choose serial or Ethernet connection. The registry information will show a default Comm Port of 1 and a default Comm Speed of 19200 appears. This information can be changed as necessary to reflect the computers Comm Port and the baud rate set by the controller's IDC jumpers (default is 19200). The registry entry also displays timeout and delay information. These are advanced parameters which should only be modified by advanced users (see software documentation for more information).

Once you have set the appropriate Registry information for your controller, Select OK and close the registry window. You will now be able to communicate with the DMC-21x3.

If you are not properly communicating with the controller, the program will pause for 3-15 seconds and an error message will be displayed. In this case, there is most likely an incorrect setting of the serial communications port or the serial cable is not connected properly. The user must ensure that the correct communication port and baud rate are specified when attempting to communicate with the controller. Please note that the serial port on the controller must be set for handshake mode for proper communication with Galil software. The user must also insure that a “straight-through” serial cable is being used (**NOT** a Null Modem cable), see appendix for pin-out of serial cable.

Once you establish communications, click on the menu for terminal and you will receive a colon prompt. Communicating with the controller is described in later sections.

### ***Using Non-Galil Communication Software***

The DMC-21x3 main serial port is configured as DATASET. Your computer or terminal must be configured as a DATATERM for full duplex, no parity, 8 data bits, one start bit and one stop bit.

Check to insure that the baud rate switches have been set to the desired baud rate as described above.

Your computer needs to be configured as a "dumb" terminal which sends ASCII characters as they are typed to the DMC-21x2. Use the EO command to specify if the characters should be echoed back from the controller.

## ***Communicating through the Ethernet***

### ***Using Galil Software for Windows***

The controller must be registered in the Windows registry for the host computer to communicate with it. The registry may be accessed via Galil software, such as WSDK or GALIL Smart Terminal.

Use the *New Controller* button to add a new entry in the registry or alternatively click on the *Find Ethernet Controller* to have the software search for controllers connected to the network. When adding a new controller, choose DMC-21x3 as the controller type. Enter the IP address obtained from your system administrator. Select the button corresponding to the UDP or TCP protocol in which you wish to communicate with the controller. If the IP address has not been already assigned to the controller, click on **ASSIGN IP ADDRESS**.

**ASSIGN IP ADDRESS** will check the controllers that are linked to the network to see which ones do not have an IP address. The program will then ask you whether you would like to assign the IP address you entered to the controller with the specified serial number. Click on **YES** to assign it, **NO** to move to next controller, or **CANCEL** to not save the changes. If there are no controllers on the network that do not have an IP address assigned, the program will state this.

When done registering, click on **OK**. If you do not wish to save the changes, click on **CANCEL**.

Once the controller has been registered, select the correct controller from the list and click on **OK**. If the software successfully established communications with the controller, the registry entry will be displayed at the bottom of the screen in the Status window.

**NOTE:** The controller must be registered via an Ethernet connection.

### ***Sending Test Commands to the Terminal:***

After you connect your terminal, press <return> or the <enter> key on your keyboard. In response to carriage return <return>, the controller responds with a colon. :

Now type

```
TPA <return>
```

This command directs the controller to return the current position of the A axis. The controller should respond with a number such as

```
0000000
```

## **Step 7. Determine the Axes to be Used for Sinusoidal Commutation**

*\* This step is only required when the controller will be used to control a brushless motor(s) with sinusoidal commutation. Skip to Step 8 if you do not need sinusoidal commutation.*

The command, BA, is used to select the axes of sinusoidal commutation. For example, BAAC sets A and C as axes with sinusoidal commutation.

### ***Notes on Configuring Sinusoidal Commutation:***

The command, BA, reconfigures the controller such that it has one less axis of 'standard' control for each axis of sinusoidal commutation. For example, if the command BAA is given to a DMC-2143 controller, the controller will be re-configured to be a DMC-2133 controller. In this case the highest axis is no longer available except to be used for the 2<sup>nd</sup> phase of the sinusoidal commutation. Note that the highest axis on a controller can never be configured for sinusoidal commutation.

The DAC associated with the selected axis represents the first phase. The second phase uses the highest available DAC. When more than one axis is configured for sinusoidal commutation, the controller will assign the second phases to the DACs which have been made available through the axes reconfiguration. The highest sinusoidal commutation axis will be assigned to the highest available DAC and the lowest sinusoidal commutation axis will be assigned to the lowest available DAC. Note that the lowest axis is the A axis and the highest axis is the highest available axis for which the controller has been configured.

### ***Example: Sinusoidal Commutation Configuration using a DMC-2173 with two mounted ICM-20100s***

```
BAAC
```

This command causes the controller to be reconfigured as a DMC-2153 controller. The A and C axes are configured for sinusoidal commutation. The first phase of the A axis will be the motor command

A signal. The second phase of the A axis will be F signal. The first phase of the C axis will be the motor command C signal. The second phase of the C axis will be the motor command G signal.

## Step 8. Make Connections to Amplifier and Encoder

Once you have established communications between the software and the DMC-21x3, you are ready to connect the rest of the motion control system. The motion control system typically consists of a breakout module such as the ICM-20100 Interface Module, an amplifier for each axis of motion, and a motor to transform the current from the amplifier into torque for motion.

2183

Motion Controllers with more than 4 axes require a second ICM-20100 and/or motor drive module

System connection procedures will depend on system components and motor types. Any combination of motor types can be used with the DMC-21x3. If sinusoidal commutation is to be used, special attention must be paid to the reconfiguration of axes.

Here are the first steps for connecting a motion control system:

**Step A.** Connect the motor to the amplifier *with no connection to the controller*. Consult the amplifier documentation for instructions regarding proper connections. Connect and turn-on the amplifier power supply. If the amplifiers are operating properly, the motor should stand still even when the amplifiers are powered up.

**Step B.** Connect the amplifier enable signal.

Before making any connections from the amplifier to the controller, you need to verify that the ground level of the amplifier is either floating or at the same potential as earth.

**WARNING: When the amplifier ground is not isolated from the power line or when it has a different potential than that of the computer ground, serious damage may result to the computer, controller and amplifier.**

If you are not sure about the potential of the ground levels, connect the two ground signals (amplifier ground and earth) by a 10 K $\Omega$  resistor and measure the voltage across the resistor. Only if the voltage is zero, connect the two ground signals directly.

The amplifier enable signal is used by the controller to disable the motor. This signal is labeled AMPENA for the A axis on the ICM-20100 and should be connected to the enable signal on the amplifier. Note that many amplifiers designate this signal as the INHIBIT signal. Use the command, MO, to disable the motor amplifiers - check to ensure that the motor amplifiers have been disabled (often this is indicated by an LED on the amplifier).

This signal changes under the following conditions: the watchdog timer activates, the motor-off command, MO, is given, or the OE1 command (Enable Off On Error) is given and the position error exceeds the error limit. AMPEN can be used to disable the amplifier for these conditions.

The standard configuration of the AMPEN signal is TTL active high. In other words, the AMPEN signal will be high when the controller expects the amplifier to be enabled. The polarity and the amplitude can be changed if you are using the ICM-20100 interface board. To change the polarity from active high (5 volts = enable, zero volts = disable) to active low (zero volts = enable, 5 volts = disable), replace the 7407 IC with a 7406. Note that many amplifiers designate the enable input as 'inhibit'.

To change the voltage level of the AMPEN signal, note the state of the resistor pack on the ICM-20100. When Pin 1 is on the 5V mark, the output voltage is 0-5V. To change to 12 volts, pull the resistor pack and rotate it so that Pin 1 is on the 12 volt side. If you remove the resistor pack, the output signal is an open collector, allowing the user to connect an external supply with voltages up to 24V (through a current limiting resistor).

### Step C. Connect the encoders

For stepper motor operation, an encoder is optional.

For servo motor operation, if you have a preferred definition of the forward and reverse directions, make sure that the encoder wiring is consistent with that definition.

The DMC-21x3 accepts single-ended or differential encoder feedback with or without an index pulse. If you are not using the ICM-20100 you will need to consult the appendix for the encoder pinouts for connection to the motion controller. The ICM-20100 and other motor drive modules accept encoder feedback via individual signal leads. Simply match the leads from the encoder you are using to the encoder feedback inputs on the interconnect board. The signal leads are labeled CHA (channel A), CHB (channel B), and INDEX. For differential encoders, the complement signals are labeled CHA-, CHB-, and INDEX-.

**NOTE:** When using pulse and direction encoders, the pulse signal is connected to CHA and the direction signal is connected to CHB. The controller must be configured for pulse and direction with the command CE. See the command summary for further information on the command CE.

### Step D. Verify proper encoder operation.

Start with the A encoder first. Once it is connected, turn the motor shaft and interrogate the position with the instruction TPA <return>. The controller response will vary as the motor is turned.

At this point, if TPA does not vary with encoder rotation, there are three possibilities:

4. The encoder connections are incorrect - check the wiring as necessary.
5. The encoder has failed - using an oscilloscope, observe the encoder signals. Verify that both channels A and B have a peak magnitude between 5 and 12 volts. Note that if only one encoder channel fails, the position reporting varies by one count only. If the encoder failed, replace the encoder. If you cannot observe the encoder signals, try a different encoder.
6. There is a hardware failure in the controller - connect the same encoder to a different axis. If the problem disappears, you probably have a hardware failure. Consult the factory for help.

### Step E. Connect Hall Sensors if available.

Hall sensors are only used with sinusoidal commutation and are not necessary for proper operation. The use of hall sensors allows the controller to automatically estimate the commutation phase upon reset and also provides the controller the ability to set a more precise commutation phase. Without hall sensors, the commutation phase must be determined manually.

The hall effect sensors are connected to the digital inputs of the controller. These inputs can be used with the general use inputs (bits 1-8), the auxiliary encoder inputs (bits 81-96), or the extended I/O inputs of the DMC-21x3 controller (bits 17-56).

**NOTE:** The general use inputs are TTL - for more information regarding the digital inputs, see Chapter 3, Connecting Hardware.

Each set of sensors must use inputs that are in consecutive order. The input lines are specified with the command, BI. For example, if the Hall sensors of the C axis are connected to inputs 6, 7 and 8, use the instruction:

BI ,, 6 or

BIC = 6

## Step 9a. Connect Standard Servo Motors

The following discussion applies to connecting the DMC-21x3 controller to standard servo motor amplifiers:

If the user is working with the Galil AMP-20340 or AMP-20440, then simply wire the motor leads and encoder signals as shown in the appendix.

The motor and the amplifier may be configured in the torque or the velocity mode. In the torque mode, the amplifier gain should be such that a 10 Volt signal generates the maximum required current. In the velocity mode, a command signal of 10 Volts should run the motor at the maximum required speed.

Step by step directions on servo system setup are also included on the WSDK (Windows Servo Design Kit) software offered by Galil. See section on WSDK for more details.

### Step A. Check the Polarity of the Feedback Loop

*It is assumed that the motor and amplifier are connected together and that the encoder is operating correctly (Step B). Before connecting the motor amplifiers to the controller, read the following discussion on setting Error Limits and Torque Limits. Note that this discussion only uses the A axis as an example.*

### Step B. Set the Error Limit as a Safety Precaution

Usually, there is uncertainty about the correct polarity of the feedback. The wrong polarity causes the motor to run away from the starting position. Using a terminal program, such as Galil SmartTerminal, the following parameters can be given to avoid system damage:

Input the commands:

```
ER 2000 <CR> Sets error limit on the A axis to be 2000 encoder counts
```

```
OE 1 <CR> Disables A axis amplifier when excess position error exists
```

If the motor runs away and creates a position error of 2000 counts, the motor amplifier will be disabled.

**NOTE:** This function requires the AMPEN signal to be connected from the controller to the amplifier.

### Step C. Set Torque Limit as a Safety Precaution

To limit the maximum voltage signal to your amplifier, the DMC-21x3 controller has a torque limit command, TL. This command sets the maximum voltage output of the controller and can be used to avoid excessive torque or speed when initially setting up a servo system.

When operating an amplifier in torque mode, the voltage output of the controller will be directly related to the torque output of the motor. The user is responsible for determining this relationship using the documentation of the motor and amplifier. The torque limit can be set to a value that will limit the motors output torque.

When operating an amplifier in velocity or voltage mode, the voltage output of the controller will be directly related to the velocity of the motor. The user is responsible for determining this relationship using the documentation of the motor and amplifier. The torque limit can be set to a value that will limit the speed of the motor.

For example, the following command will limit the output of the controller to 1 volt on the X axis:

```
TL 1 <CR>
```

**NOTE:** Once the correct polarity of the feedback loop has been determined, the torque limit should, in general, be increased to the default value of 9.998. The servo will not operate properly

if the torque limit is below the normal operating range. See description of TL in the command reference.

#### **Step D. Connect the Motor**

Once the parameters have been set, connect the analog motor command signal (ACMD) to the amplifier input.

To test the polarity of the feedback, command a move with the instruction:

```
PR 1000 <CR>   Position relative 1000 counts
```

```
BGA <CR>       Begin motion on A axis
```

When the polarity of the feedback is wrong, the motor will attempt to run away. The controller should disable the motor when the position error exceeds 2000 counts. If the motor runs away, the polarity of the loop must be inverted.

### ***Inverting the Loop Polarity***

When the polarity of the feedback is incorrect, the user must invert the loop polarity and this may be accomplished by several methods. If you are driving a brush-type DC motor, the simplest way is to invert the two motor wires (typically red and black). For example, switch the M1 and M2 connections going from your amplifier to the motor. When driving a brushless motor, the polarity reversal may be done with the encoder. If you are using a single-ended encoder, interchange the signal CHA and CHB. If, on the other hand, you are using a differential encoder, interchange only CHA+ and CHA-. The loop polarity and encoder polarity can also be affected through software with the MT, and CE commands. For more details on the MT command or the CE command, see the Command Reference section.

Sometimes the feedback polarity is correct (the motor does not attempt to run away) but the direction of motion is reversed with respect to the commanded motion. If this is the case, reverse the motor leads AND the encoder signals.

If the motor moves in the required direction but stops short of the target, it is most likely due to insufficient torque output from the motor command signal ACMD. This can be alleviated by reducing system friction on the motors. The instruction:

```
TTA <return>   Tell torque on A
```

reports the level of the output signal. It will show a non-zero value that is below the friction level.

Once you have established that you have closed the loop with the correct polarity, you can move on to the compensation phase (servo system tuning) to adjust the PID filter parameters, KP, KD and KI. It is necessary to accurately tune your servo system to ensure fidelity of position and minimize motion oscillation as described in the next section.



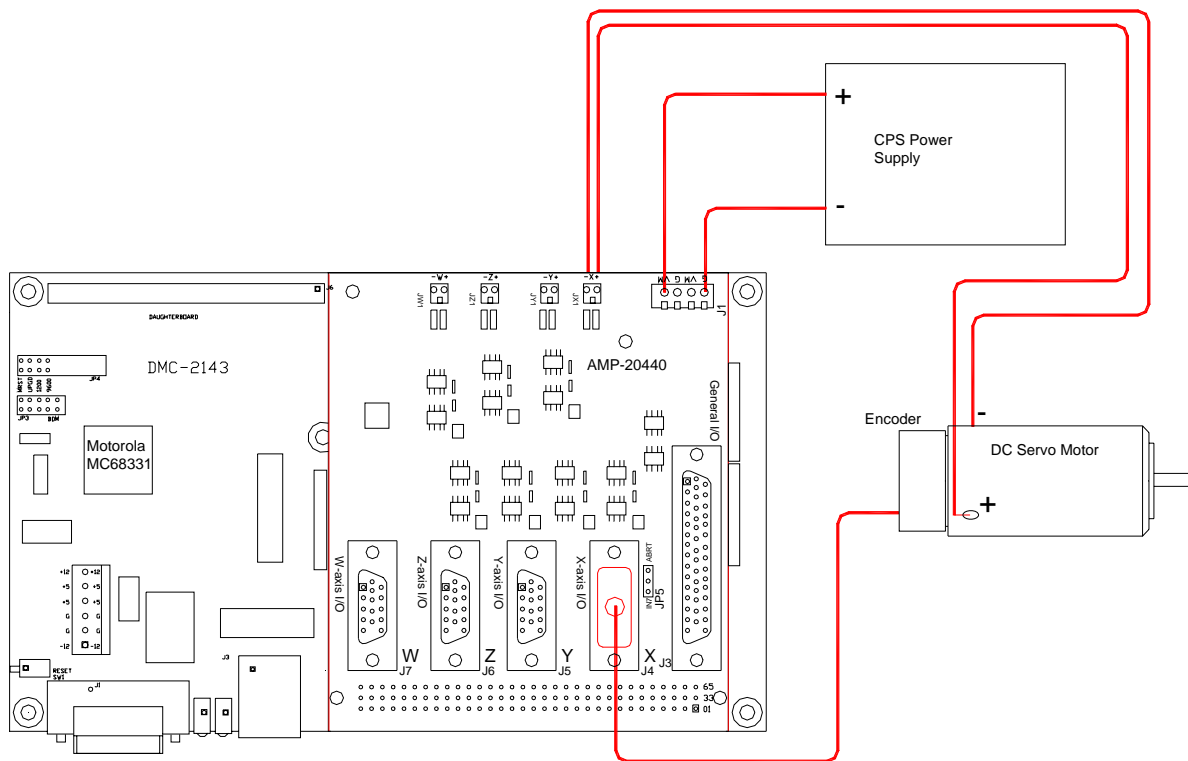


Figure 2-8 System Connections with an AMP-20440 Amplifier. This diagram shows the connections for a standard DC Servo Motor and encoder.

## Step 9b. Connect Sinusoidal Commutation Motors

*\* This step is only required when the controller will be used to control a brushless motor(s) with sinusoidal commutation. Skip to Step 9c if you do not need sinusoidal commutation.*

When using sinusoidal commutation, the parameters for the commutation must be determined and saved in the controllers non-volatile memory. The setup for sinusoidal commutation is different when using Hall Sensors. Each step which is affected by Hall Sensor Operation is divided into two parts, part 1 and part 2. After connecting sinusoidal commutation motors, the servos must be tuned as described in Step 10.

### Step A. Disable the motor amplifier

Use the command, MO, to disable the motor amplifiers. For example, MOA will turn the A axis motor off.

### Step B. Connect the motor amplifier to the controller.

The sinusoidal commutation amplifier requires 2 signals, usually denoted as Phase A & Phase B. These inputs should be connected to the two sinusoidal signals generated by the controller. The first signal is the axis specified with the command, BA (Step 6). The second signal is associated with the highest analog command signal available on the controller - note that this axis was made unavailable for standard servo operation by the command BA.

When more than one axis is configured for sinusoidal commutation, the controller will assign the second phase to the command output which has been made available through the axes reconfiguration. The 2<sup>nd</sup> phase of the highest sinusoidal commutation axis will be the highest command output and the 2<sup>nd</sup> phase of the lowest sinusoidal commutation axis will be the lowest command output.

It is not necessary to be concerned with cross-wiring the 1<sup>st</sup> and 2<sup>nd</sup> signals. If this wiring is incorrect, the setup procedure will alert the user (Step D).

### ***Example: Sinusoidal Commutation Configuration using a DMC-2173 with Two Mounted ICM-20100 Interconnect Modules***

BAAC

This command causes the controller to be reconfigured as a DMC-2153 controller. The A and C axes are configured for sinusoidal commutation. The first phase of the A axis will be the motor command A signal. The second phase of the A axis will be the motor command F signal. The first phase of the C axis will be the motor command C signal. The second phase of the C axis will be the motor command G signal.

### Step C. Specify the Size of the Magnetic Cycle.

Use the command, BM, to specify the size of the brushless motors magnetic cycle in encoder counts. For example, if the X axis is a linear motor where the magnetic cycle length is 62 mm, and the encoder resolution is 1 micron, the cycle equals 62,000 counts. This can be commanded with the command.

BM 62000

On the other hand, if the C axis is a rotary motor with 4000 counts per revolution and 3 magnetic cycles per revolution (three pole pairs) the command is

BM,, 1333.333

### Step D - part 1 (Systems with or without Hall Sensors). Test the Polarity of the DACs

Use the brushless motor setup command, BS, to test the polarity of the output DACs. This command applies a certain voltage, V, to each phase for some time T, and checks to see if the motion is in the correct direction.

The user must specify the value for V and T. For example, the command

```
BSA = 2,700
```

will test the A axis with a voltage of 2 volts, applying it for 700 milliseconds for each phase. In response, this test indicates whether the DAC wiring is correct and will indicate an approximate value of BM. If the wiring is correct, the approximate value for BM will agree with the value used in the previous step.

**NOTE:** In order to properly conduct the brushless setup, the motor must be allowed to move a minimum of one magnetic cycle in both directions.

**NOTE:** When using Galil Windows software, the timeout must be set to a minimum of 10 seconds (time-out = 10000) when executing the BS command. This allows the software to retrieve all messages returned from the controller.

**Step D - part 2 (Systems with Hall Sensors Only).** Test the Hall Sensor Configuration.

Since the Hall sensors are connected randomly, it is very likely that they are wired in the incorrect order. The brushless setup command indicates the correct wiring of the Hall sensors. The hall sensor wires should be re-configured to reflect the results of this test.

The setup command also reports the position offset of the hall transition point and the zero phase of the motor commutation. The zero transition of the Hall sensors typically occur at 0°, 30° or 90° of the phase commutation. It is necessary to inform the controller about the offset of the Hall sensor and this is done with the instruction, BB.

**Step E.** Save Brushless Motor Configuration

It is very important to save the brushless motor configuration in non-volatile memory. After the motor wiring and setup parameters have been properly configured, the burn command, BN, should be given.

**NOTE:** Without hall sensors, the controller will not be able to estimate the commutation phase of the brushless motor. In this case, the controller could become unstable until the commutation phase has been set using the BZ command (see next step). It is highly recommended that the motor off command be given before executing the BN command. In this case, the motor will be disabled upon power up or reset and the commutation phase can be set before enabling the motor.

**Step F - part 1 (Systems with or without Hall Sensors).** Set Zero Commutation Phase

When an axis has been defined as sinusoidally commutated, the controller must have an estimate for commutation phase. When hall sensors are used, the controller automatically estimates this value upon reset of the controller. If no hall sensors are used, the controller will not be able to make this estimate and the commutation phase must be set before enabling the motor.

To initialize the commutation without Hall effect sensor use the command, BZ. This function drives the motor to a position where the commutation phase is zero, and sets the phase to zero.

The BZ command is followed by real numbers in the fields corresponding to the driven axes. The number represents the voltage to be applied to the amplifier during the initialization. When the voltage is specified by a positive number, the initialization process end up in the motor off (MO) state. A negative number causes the process to end in the Servo Here (SH) state.

**WARNING:** This command must move the motor to find the zero commutation phase. This movement is instantaneous and will cause the system to jerk. Larger applied voltages will cause more severe motor jerk. The applied voltage will typically be sufficient for proper operation of the BZ command. For systems with significant friction, this voltage may need to be increased and for systems with very small motors, this value should be decreased. For example:

**BZ -2, 0,1**

will drive both A and C axes to zero, will apply 2V and 1V respectively to A and C and will end up with A in SH and C in MO.

#### Step F - part 2 (Systems with Hall Sensors Only). Set Zero Commutation Phase

With hall sensors, the estimated value of the commutation phase is good to within 30°. This estimate can be used to drive the motor but a more accurate estimate is needed for efficient motor operation. There are 3 possible methods for commutation phase initialization:

**Method 1.** Use the BZ command as described above.

**Method 2.** Drive the motor close to commutation phase of zero and then use BZ command. This method decreases the amount of system jerk by moving the motor close to zero commutation phase before executing the BZ command. The controller makes an estimate for the number of encoder counts between the current position and the position of zero commutation phase. This value is stored in the operand `_BZn`. Using this operand the controller can be commanded to move the motor. The BZ command is then issued as described above. For example, to initialize the A axis motor upon power or reset, the following commands may be given:

```
SHA                ;Enable A axis motor
PRA=-1*(_BZA)    ;Move A motor close to zero commutation phase
BGA                ;Begin motion on A axis
AMA                ;Wait for motion to complete on A axis
BZA=-1             ;Drive motor to commutation phase zero and leave
                  ;motor on
```

**Method 3.** Use the command, BC. This command uses the hall transitions to determine the commutation phase. Ideally, the hall sensor transitions will be separated by exactly 60° and any deviation from 60° will affect the accuracy of this method. If the hall sensors are accurate, this method is recommended. The BC command monitors the hall sensors during a move and monitors the Hall sensors for a transition point. When that occurs, the controller computes the commutation phase and sets it. For example, to initialize the A axis motor upon power or reset, the following commands may be given:

```
SHA                ;Enable A axis motor
BCA                ;Enable the brushless calibration command
PRA=50000          ;Command a relative position movement on A axis
BGA                ;Begin motion on A axis. When the hall sensors
                  ; detect a phase transition, the commutation phase is
                  ;re-set.
```



## Step 9c. Connect Step Motors

In Stepper Motor operation, the pulse output signal has a 50% duty cycle. Step motors operate open loop and do not require encoder feedback. When a stepper is used, the auxiliary encoder for the corresponding axis is unavailable for an external connection. If an encoder is used for position feedback, connect the encoder to the main encoder input corresponding to that axis. The commanded position of the stepper can be interrogated with RP or TD. The encoder position can be interrogated with TP.

The frequency of the step motor pulses can be smoothed with the filter parameter, KS. The KS parameter has a range between 0.5 and 8, where 8 implies the largest amount of smoothing. *See Command Reference regarding KS.*

The DMC-21x3 profiler commands the step motor amplifier. All DMC-21x3 motion commands apply such as PR, PA, VP, CR and JG. The acceleration, deceleration, slew speed and smoothing are also used. Since step motors run open-loop, the PID filter does not function and the position error is not generated.

To connect step motors with the DMC-21x3 you must follow this procedure:

### Step A. Install SM jumpers

Each axis of the DMC-21x3 that will operate a stepper motor must have the corresponding stepper motor jumper installed.

### Step B1. Connect step and direction signals from controller to motor amplifier

From the controller to respective signals on your step motor amplifier. (These signals are labeled PULSX and DIRX for the A-axis on the ICM-20100). Consult the documentation for your step motor amplifier.

OR

### Step B2. Connect step motors directly to the SDM-20340. Determine whether the motor is full- or half- step and the motor current requirements. Install necessary jumpers on the SDM-20340

### Step C. Configure DMC-21x3 for motor type using MT command. You can configure the DMC-21x3 for active high or active low pulses. Use the command MT 2 for active low step motor pulses and MT -2 for active high step motor pulses. *See description of the MT command in the Command Reference.*

## Step 10. Tune the Servo System

Adjusting the tuning parameters required when using servo motors (standard or sinusoidal commutation). The system compensation provides fast and accurate response and the following presentation suggests a simple and easy way for compensation. More advanced design methods are available with software design tools from Galil, such as the Windows Servo Design Kit (WSDK software )

The filter has three parameters: the damping, KD; the proportional gain, KP; and the integrator, KI. The parameters should be selected in this order.

To start, set the integrator to zero with the instruction

```
KI 0 <return> Integrator gain
```

and set the proportional gain to a low value, such as

```
KP 1 <return> Proportional gain
```

```
KD 100 <return> Derivative gain
```

For more damping, you can increase KD (maximum is 4095). Increase gradually and stop after the motor vibrates. A vibration is noticed by audible sound or by interrogation. If you send the command

```
TEA <return> Tell error on A axis
```

a few times, and get varying responses, especially with reversing polarity, it indicates system vibration. When this happens, simply reduce KD.

Next you need to increase the value of KP gradually (maximum allowed is 1023). You can monitor the improvement in the response with the Tell Error instruction

```
KP 10 <return> Proportion gain
```

```
TEA <return> Tell error on A axis
```

As the proportional gain is increased, the error decreases.

Again, the system may vibrate if the gain is too high. In this case, reduce KP. Typically, KP should not be greater than KD/4. (When the amplifier is configured in the current mode).

Finally, to select KI, start with zero value and increase it gradually. The integrator eliminates the position error, resulting in improved accuracy. Therefore, the response to the instruction

```
TEA <return>
```

becomes zero. As KI is increased, its effect is amplified and it may lead to vibrations. If this occurs, simply reduce KI. Repeat tuning for the B, C and D axes.

**For a more detailed description of the operation of the PID filter and/or servo system theory, see Chapter 10 - Theory of Operation.**

## Design Examples

Here are a few examples for tuning and using your controller. These examples have remarks next to each command - these remarks must not be included in the actual program.

### System Set-up

This example assigns the system filter parameters, error limits and enables the automatic error shut-off.

<b>Instruction</b>	<b>Interpretation</b>
KP10,10,10,10	Set gains for a,b,c,d (or A,B,C,D axes)
KP*=10	Alternate method for setting gain on all axes
KPA=10	Method for setting only A axis gain
KP, 20	Set B axis gain only
<b>Instruction</b>	<b>Interpretation</b>
OE 1,1,1,1,1,1,1,1	Enable automatic Off on Error function for all axes
ER*=1000	Set error limit for all axes to 1000 counts
KP10,10,10,10,10,10,10,10	Set gains for a,b,c,d,e,f,g,and h axes
KP*=10	Alternate method for setting gain on all axes
KPA=10	Alternate method for setting A axis gain
KP,,10	Set C axis gain only
KPD=10	Alternate method for setting D axis gain
KPH=10	Alternate method for setting H axis gain

## Profiled Move

Rotate the A axis a distance of 10,000 counts at a slew speed of 20,000 counts/sec and an acceleration and deceleration rates of 100,000 counts/s<sup>2</sup>. In this example, the motor turns and stops:

<b>Instruction</b>	<b>Interpretation</b>
PR1000	Distance
SP20000	Speed
DC 100000	Deceleration
AC 100000	Acceleration
BG A	Start Motion

## Multiple Axes

Objective: Move the four axes independently.

<b>Instruction</b>	<b>Interpretation</b>
PR 500,1000,600,-400	Distances of A,B,C,D
SP 10000,12000,20000,10000	Slew speeds of A,B,C,D
AC 10000,10000,10000,10000	Accelerations of A,B,C,D
DC 80000,40000,30000,50000	Decelerations of A,B,C,D
BG AC	Start A and C motion
BG BD	Start B and D motion

## Independent Moves

The motion parameters may be specified independently as illustrated below.

<b>Instruction</b>	<b>Interpretation</b>
PR ,300,-600	Distances of B and C
SP ,2000	Slew speed of B
DC ,80000	Deceleration of B
AC ,100000	Acceleration of B
AC ,,100000	Acceleration of C
DC,,150000	Deceleration of C
BG C	Start C motion
BG B	Start B motion

## Position Interrogation

The position of the four axes may be interrogated with the instruction, TP.

<b>Instruction</b>	<b>Interpretation</b>
TP	Tell position all four axes
TP A	Tell position – A axis only
TP B	Tell position – B axis only
TP C	Tell position – C axis only
TP D	Tell position – D axis only

The position error, which is the difference between the commanded position and the actual position can be interrogated with the instruction TE.

<b>Instruction</b>	<b>Interpretation</b>
TE	Tell error – all axes
TE A	Tell error – A axis only
TE B	Tell error – B axis only

TE C	Tell error – C axis only
TE D	Tell error – D axis only

## Absolute Position

Objective: Command motion by specifying the absolute position.

Instruction	Interpretation
DP 0,2000	Define the current positions of A,B as 0 and 2000
PA 7000,4000	Sets the desired absolute positions
BG A	Start A motion
BG B	Start B motion

After both motions are complete, the A and B axes can be command back to zero:

PA 0,0	Move to 0,0
BG AB	Start both motions

## Velocity Control

Objective: Drive the A and B motors at specified speeds.

Instruction	Interpretation
JG 10000,-20000	Set Jog Speeds and Directions
AC 100000, 40000	Set accelerations
DC 50000,50000	Set decelerations
BG AB	Start motion

after a few seconds, command:

JG -40000	New A speed and Direction
TV A	Returns A speed

and then

JG ,20000	New B speed
TV B	Returns B speed

These cause velocity changes including direction reversal. The motion can be stopped with the instruction

ST	Stop
----	------



## Operation Under Torque Limit

The magnitude of the motor command may be limited independently by the instruction TL.

<b>Instruction</b>	<b>Interpretation</b>
TL 0.2	Set output limit of A axis to 0.2 volts
JG 10000	Set A speed
BG A	Start A motion

In this example, the A motor will probably not move since the output signal will not be sufficient to overcome the friction. If the motion starts, it can be stopped easily by a touch of a finger.

Increase the torque level gradually by instructions such as

<b>Instruction</b>	<b>Interpretation</b>
TL 1.0	Increase torque limit to 1 volt.
TL 9.998	Increase torque limit to maximum, 9.998 Volts.

The maximum level of 9.998 volts provides the full output torque.

## Interrogation

The values of the parameters may be interrogated. Some examples ...

<b>Instruction</b>	<b>Interpretation</b>
KP?	Return gain of A axis
KP ,,?	Return gain of C axis.
KP ?,?,?,?	Return gains of first four axes.

Many other parameters such as KI, KD, FA, can also be interrogated. The command reference denotes all commands which can be interrogated.

## Operation in the Buffer Mode

The instructions may be buffered before execution as shown below.

<b>Instruction</b>	<b>Interpretation</b>
PR 600000	Distance
SP 10000	Speed
WT 10000	Wait 10000 milliseconds before reading the next instruction
BG A	Start the motion

## Using the On-Board Editor

Motion programs may be edited and stored in the controllers on-board memory. When the command, ED is given from the Galil DOS terminal, the controller's editor will be started.

The instruction

ED	Edit mode
----	-----------

moves the operation to the editor mode where the program may be written and edited. The editor provides the line number. For example, in response to the first ED command, the first line is zero.

Line #	Instruction	Interpretation
000	#A	Define label
001	PR 700	Distance
002	SP 2000	Speed
003	BGA	Start A motion
004	EN	End program

To exit the editor mode, input <cntrl>Q. The program may be executed with the command.  
XQ #A Start the program running

If the ED command is issued from the Galil Windows terminal software (such as GALIL Smart Terminal32), the software will open a Windows based editor. From this editor a program can be entered, edited, downloaded and uploaded to the controller.

## Motion Programs with Loops

Motion programs may include conditional jumps as shown below.

Instruction	Interpretation
#A	Label
DP 0	Define current position as zero
v1=1000	Set initial value of v1
#LOOP	Label for loop
PA v1	Move A motor v1 counts
BG A	Start A motion
AM A	After A motion is complete
WT 500	Wait 500 ms
TP A	Tell position A
v1=v1+1000	Increase the value of v1
JP #LOOP,v1<10001	Repeat if v1<10001
EN	End

After the above program is entered, download to the controller. To start the motion, command:  
XQ #A Execute Program #A

## Motion Programs with Trippoints

The motion programs may include trippoints as shown below.

Instruction	Interpretation
#B	Label
DP 0,0	Define initial positions
PR 30000,60000	Set targets
SP 5000,5000	Set speeds
BGA	Start A motion
AD 4000	Wait until A moved 4000
BGB	Start B motion
AP 6000	Wait until position A=6000
SP 2000,50000	Change speeds
AP ,50000	Wait until position B=50000

SP ,10000	Change speed of B
EN	End program

To start the program, command:

XQ #B	Execute Program #B
-------	--------------------

## Control Variables

Objective: To show how control variables may be utilized.

Instruction	Interpretation
#A;DP0	Label; Define current position as zero
PR 4000	Initial position
SP 2000	Set speed
BGA	Move A
AMA	Wait until move is complete
WT 500	Wait 500 ms
#B	
v1 = _TPA	Determine distance to zero
PR -v1/2	Command A move 1/2 the distance
BGA	Start A motion
AMA	After A moved
WT 500	Wait 500 ms
v1=	Report the value of V1
JP #C, v1=0	Exit if position=0
JP #B	Repeat otherwise
#C	Label #C
EN	End of Program

To start the program, command

XQ #A	Execute Program #A
-------	--------------------

This program moves A to an initial position of 1000 and returns it to zero on increments of half the distance. Note, \_TPA is an internal variable which returns the value of the A position. Internal variables may be created by preceding a DMC-21x2/21x3 instruction with an underscore, \_.

## Linear Interpolation

Objective: Move A,B,C motors distance of 7000,3000,6000, respectively, along linear trajectory. Namely, motors start and stop together.

Instruction	Interpretation
LM ABC	Specify linear interpolation axes
LI 7000,3000,6000	Relative distances for linear interpolation
LE	Linear End
VS 6000	Vector speed
VA 20000	Vector acceleration
VD 20000	Vector deceleration
BGS	Start motion

## Circular Interpolation

Objective: Move the AB axes in circular mode to form the path shown on Fig. 2-9. Note that the vector motion starts at a local position (0,0) which is defined at the beginning of any vector motion sequence. See Application Programming for further information.

Instruction	Interpretation
VM AB	Select AB axes for circular interpolation
VP -4000,0	Linear segment
CR 2000,270,-180	Circular segment
VP 0,4000	Linear segment
CR 2000,90,-180	Circular segment
VS 1000	Vector speed
VA 50000	Vector acceleration
VD 50000	Vector deceleration
VE	End vector sequence
BGS	Start motion

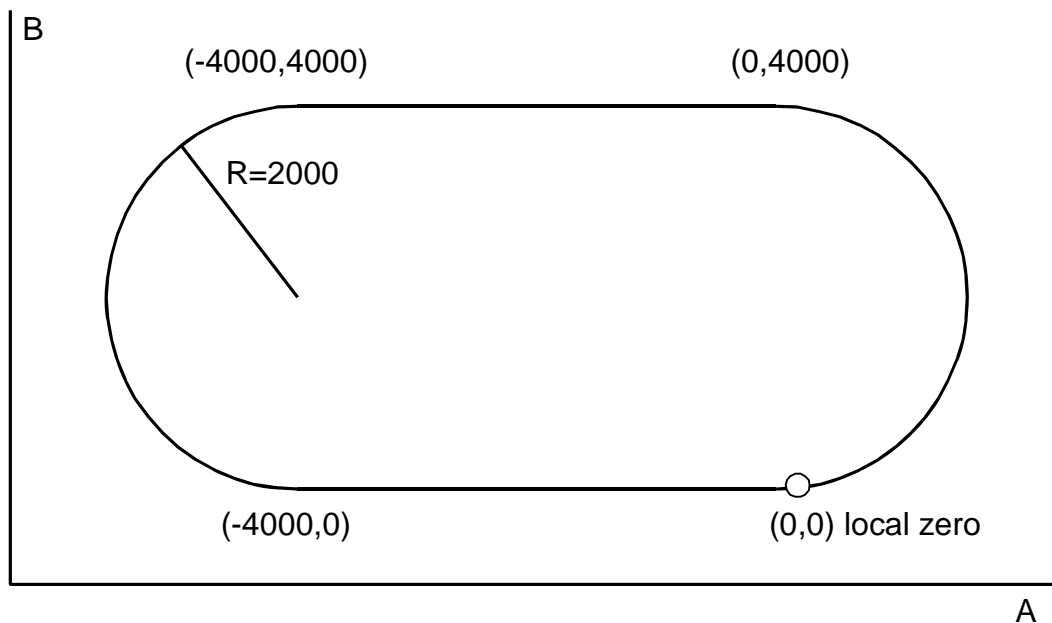


Figure 2-9 Motion Path for Circular Interpolation Example

# Chapter 3 Connecting Hardware

---

## Overview

The DMC-21x2/21x3 provides TTL inputs for **forward limit**, **reverse limit**, **home**, and **abort** signals. The controller also has 8 TTL inputs (for general use) as well as 8 TTL outputs.

**2182**

Controllers with 5 or more axes have an additional 8 TTL inputs and an additional 8 TTL outputs.

This chapter describes the inputs and outputs and their proper connection.

If you plan to use the auxiliary encoder feature of the DMC-21x3, you will require a separate encoder cable and breakout - contact Galil Motion control

---

## Using Inputs

### Limit Switch Input

The forward limit switch (FLS<sub>x</sub>) inhibits motion in the forward direction immediately upon activation of the switch. The reverse limit switch (RLS<sub>x</sub>) inhibits motion in the reverse direction immediately upon activation of the switch. If a limit switch is activated during motion, the controller will make a decelerated stop using the deceleration rate previously set with the DC command. The motor will remain on (in a servo state) after the limit switch has been activated and will hold motor position. To set the activation state of the limit switches refer to the command CN, configure, in the Command Reference.

When a forward or reverse limit switch is activated, the current application program that is running will be interrupted and the controller will automatically jump to the #LIMSWI subroutine if one exists. This is a subroutine which the user can include in any motion control program and is useful for executing specific instructions upon activation of a limit switch.

After a limit switch has been activated, further motion in the direction of the limit switch will not be possible until the logic state of the switch returns back to an inactive state. This usually involves physically opening the tripped switch. Any attempt at further motion before the logic state has been reset will result in the following error: “022 - Begin not possible due to limit switch” error.

The operands, LF<sub>x</sub> and LR<sub>x</sub>, return the state of the forward and reverse limit switches, respectively (x represents the axis, X, Y, Z, or W). The value of the operand is either a ‘0’ or ‘1’ corresponding to the logic state of the limit switch, active or inactive, respectively. If the limit switches are configured for active low, no connection or a 5V input will be read as a ‘0’, while grounding the switch will return a ‘1’. If the limit switches are configured for active high, the reading will be inverted and no connection or a 5V input will be read as a ‘1’, while grounding the switch will return a ‘0’.

Using a terminal program, the state of a limit switch can be printed to the screen with the command, MG \_LFx or MG \_LRx. This prints the value of the limit switch operands for the 'x' axis. The logic state of the limit switches can also be interrogated with the TS command. For more details on TS, \_LFx, \_LRx, or MG see the Command Reference.

## Home Switch Input

Homing inputs are designed to provide mechanical reference points for a motion control application. A transition in the state of a Home input alerts the controller that a particular reference point has been reached by a moving part in the motion control system. A reference point can be a point in space or an encoder index pulse.

The Home input detects any transition in the state of the switch and changes between logic states 0 and 1, corresponding to either 0V or 5V depending on the configuration set by the user (CN command). The CN command can be used to customize the homing routine to the user's application.

There are three homing routines supported by the DMC-21x2/21x3: Find Edge (FE), Find Index (FI), and Standard Home (HM).

The Find Edge routine is initiated by the command sequence: FEX <return>, BGX <return> (where X could be any axis on the controller, X,Y,Z, or W). The Find Edge routine will cause the motor to accelerate, then slew at constant speed until a transition is detected in the logic state of the Home input. The direction of the FE motion is dependent on the state of the home switch. Refer to the CN command to set the correspondence between the Home Input voltage and motion direction. The motor will decelerate to a stop when a transition is seen on the input. The acceleration rate, deceleration rate and slew speed are specified by the user, prior to the movement, using the commands AC, DC, and SP. *It is recommended that a high deceleration value be used so the motor will decelerate rapidly after sensing the Home switch.*

The Find Index routine is initiated by the command sequence: FIX <return>, BGX <return> (where X could be any axis on the controller, X,Y,Z, or W). Find Index will cause the motor to accelerate to the user-defined slew speed (SP) at a rate specified by the user with the AC command and slew until the controller senses a change in the index pulse signal from low to high. The motor then decelerates to a stop at the rate previously specified by the user with the DC command. *Although Find Index is an option for homing, it is not dependent upon a transition in the logic state of the Home input, but instead is dependent upon a transition in the level of the index pulse signal.*

The Standard Homing routine is initiated by the sequence of commands HMX <return>, BGX <return> (where X could be any axis on the controller, X,Y,Z, or W). Standard Homing is a combination of Find Edge and Find Index homing. Initiating the standard homing routine will cause the motor to slew until a transition is detected in the logic state of the Home input. The motor will accelerate at the rate specified by the command, AC, up to the slew speed. After detecting the transition in the logic state on the Home Input, the motor will decelerate to a stop at the rate specified by the command DC. After the motor has decelerated to a stop, it switches direction and approaches the transition point at the speed of 256 counts/sec. When the logic state changes again, the motor moves forward (in the direction of increasing encoder count) at the same speed, until the controller senses the index pulse. After detection, it decelerates to a stop and defines this position as 0. The logic state of the Home input can be interrogated with the command MG \_HMX. This command returns a 0 or 1 if the logic state is low or high (dependent on the CN command). The state of the Home input can also be interrogated indirectly with the TS command.

For examples and further information about Homing, see command HM, FI, FE of the Command Reference and the section entitled 'Homing' in the Programming Motion Chapter of this manual.

## Abort Input

The function of the Abort input is to immediately stop the controller upon transition of the logic state.

**NOTE:** The response of the abort input is significantly different from the response of an activated limit switch. When the abort input is activated, the controller stops generating motion commands immediately, whereas the limit switch response causes the controller to make a decelerated stop.

**NOTE:** The effect of an Abort input is dependent on the state of the off on error function (OE) for each axis. If the Off On Error function is enabled for any given axis, the motor for that axis will be turned off when the abort signal is generated. This could cause the motor to ‘coast’ to a stop since it is no longer under servo control. If the Off On Error function is disabled, the motor will decelerate to a stop as fast as mechanically possible and the motor will remain in a servo state.

All motion programs that are currently running are terminated when a transition in the Abort input is detected. For information on setting the Off On Error function, see the Command Reference, OE.

## Uncommitted Digital Inputs

The general use inputs are TTL and are accessible through the ICM-2900 as XLATCH-WLATCH (inputs 1-4) and IN5-IN8. The general use inputs are labeled IN1 – IN8 on the ICM-20100, ICM-20105 etc. These inputs can be interrogated with the use of the command TI (Tell Inputs), the operand `_TI`, and the function `@IN[n]` (see Chapter 7, Mathematical Functions and Expressions).

**2182**

Controllers with more than 4 axes have 16 TTL inputs which are denoted as Inputs 1 thru 16.

---

## Amplifier Interface

The DMC-21x2/21x3 command voltage ranges between +/-10V. This signal, along with GND, provides the input to the motor amplifiers. The amplifiers must be sized appropriately to drive the motors and existing load. For best performance, the amplifiers should be configured for a torque (current) mode of operation with no additional compensation. The gain should be set such that a 10 Volt input results in the maximum required current.

The DMC-21x2/21x3 also provides an amplifier enable signal, AMPEN. This signal changes under the following conditions: the motor-off command, MO, is given, the watchdog timer activates, or the OE1 command (Enable Off On Error) is given and the position error exceeds the error limit. As shown in Figure 3-1, AMPEN can be used to disable the amplifier for these conditions.

The standard configuration of the AMPEN signal is TTL active high. In other words, the AMPEN signal will be high when the controller expects the amplifier to be enabled. The polarity and the amplitude can be changed if you are using the ICM-2900 interface board (21x2) or the ICM-20100/ICM-20105 (DMC-21x3). To change the polarity from active high (5 volts= enable, zero volts = disable) to active low (zero volts = enable, 5 volts= disable), replace the 7407 IC with a 7406. Note that many amplifiers designate the enable input as ‘inhibit’.

To change the voltage level of the AMPEN signal on the ICM-2900, note the state of the resistor pack on the ICM-2900. When Pin 1 is on the 5V mark, the output voltage is 0-5V. To change to 12 volts, pull the resistor pack and rotate it so that Pin 1 is on the 12 volt side. If you remove the resistor pack, the output signal is an open collector, allowing the user to connect an external supply with voltages up to 24V.

To change the voltage level of the AMPEN signal on the ICM-20105, please refer to the DMC-21x3 Accessories Manual.

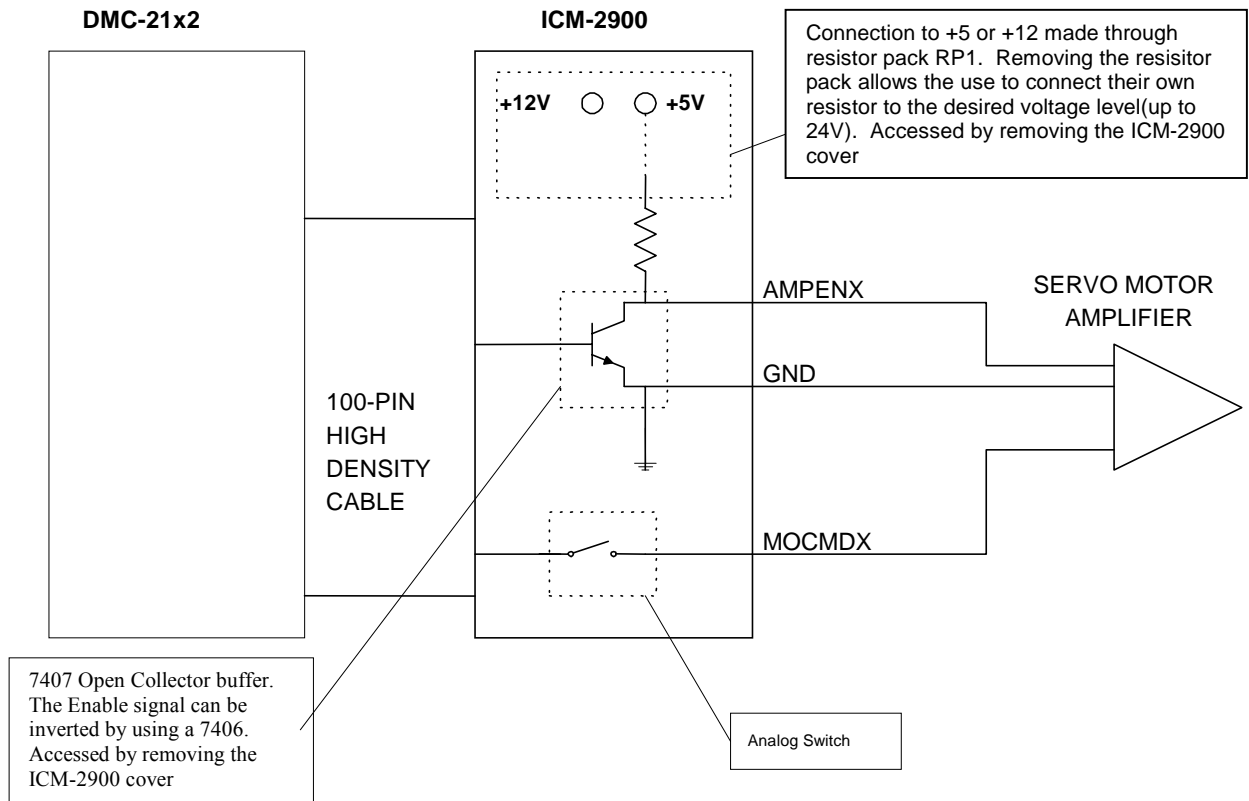


Figure 3-1 Connecting AMPEN to the motor amplifier

## TTL Inputs

### The Auxiliary Encoder Inputs:

The auxiliary encoder inputs can be used for general use. For each axis, the controller has one auxiliary encoder and each auxiliary encoder consists of two inputs, channel A and channel B. The auxiliary encoder inputs are mapped to the inputs 81-96.

Each input from the auxiliary encoder is a differential line receiver and can accept voltage levels between +/- 12Volts. The inputs have been configured to accept TTL level signals. To connect TTL signals, simply connect the signal to the + input and leave the - input disconnected. For other signal levels, the - input should be connected to a voltage that is  $\frac{1}{2}$  of the full voltage range (for example, connect the - input to 6 volts if the signal is a 0 - 12 volt logic).

Example:

A DMC-2112 has one auxiliary encoder. This encoder has two inputs (channel A and channel B). Channel A input is mapped to input 81 and Channel B input is mapped to input 82. To use this input for 2 TTL signals, the first signal will be connected to AA+ and the second to AB+. AA- and AB- will be left unconnected. To access this input, use the function @IN[81] and @IN[82].

**NOTE:** The auxiliary encoder inputs are not available for any axis that is configured for stepper motor.



---

## TTL Outputs

The DMC-21x2/21x3 provides dedicated and general use outputs.

### General Use Outputs

The DMC-21x2/21x3 provides eight general use outputs, an output compare and an error signal output. The general use outputs are TTL and are accessible through the ICM, SDM or AMP module connectors as OUT1 thru OUT8. These outputs can be turned On and Off with the commands, SB (Set Bit), CB (Clear Bit), OB (Output Bit), and OP (Output Port). For more information about these commands, see the Command Summary. The value of the outputs can be checked with the operand `_OP` and the function `@OUT[]` (see Chapter 7, Mathematical Functions and Expressions).

**2182**

Controllers with 5 or more axes have an additional eight general use TTL outputs.

**NOTE 1:** The ICM-2900 has an option to provide opto-isolation on the outputs. In this case, the user provides an isolated power supply (+5volts to +24volts and ground). For more information, consult Galil.

**NOTE 2:** The ICM-20105 has the capability to provide opto-isolation on the outputs. In this case, the user provides an isolated power supply (+5 volts to 24 volts and ground). For more information, please refer to the DMC-21x3 Accessories Manual.

### Output Compare

The output compare signal is TTL and is available on the Interconnect module as CMP. Output compare is controlled by the position of any of the main encoders on the controller. The output can be programmed to produce an active low pulse (600 nano seconds) based on an incremental encoder value or to activate once when an axis position has been passed. For further information, see the command OC in the Command Reference.

### Error Output

The error output is TTL and is available on the breakout modules to indicate a controller error condition. When an error condition occurs, the ERROR signal will go low and the controller LED will go on. An error occurs because of one of the following conditions:

1. At least one axis has a position error greater than the error limit. The error limit is set by using the command ER.
2. The reset line on the controller is held low or is being affected by noise.
3. There is a failure on the controller and the processor is resetting itself.
4. There is a failure with the output IC which drives the error signal.

---

## Extended I/O of the DMC-21x2/21x3 Controller

The DMC-21x2/21x3 controller offers an optional 40 extended 3.3V or 5V I/O points and 8 12-bit or 16-bit analog inputs. These are only accessible with the addition of the daughter board DB-28040. The I/O can be configured as inputs or outputs in 8 bit increments. Configuration is accomplished with the CO command. The I/O points are accessed through one 50-pin ribbon cable. The analog inputs are accessible through a 16-pin IDC header. For more information, see the DMC-21x3 Accessories Manual..

### ***Interfacing to Grayhill or OPTO-22 G4PB24:***

The DMC-21x2/21x3 controller with attached DB-28040 uses one 50-pin IDC ribbon cable to access the extended I/O. These cables are compatible with I/O mounting racks such as Grayhill 70GRCM32-HL and OPTO-22 G4PB24. Block 5 and Block 9 must be configured as inputs and will be grounded by the I/O rack. For more information , please refer to Application Note 5450.

# Chapter 4 Communication

---

## Introduction

The DMC-21x2/21x3 has one RS232 port and one Ethernet port. The RS-232 port can be configured to speeds of up to 19200 baud. The Ethernet port is 10baseT.

---

## RS232 Port

The RS232 pin-out description is given below.

### RS232 – Serial Port

- 1 CTS – output
- 2 Transmit Data – output
- 3 Receive Data – input
- 4 RTS – input
- 5 Ground

### DATATERM

- 6 CTS – output
- 7 RTS – input
- 8 CTS – output
- 9 No connect (Can connect to +5V or sample clock)

## RS-232 Configuration

Configure your PC for 8-bit data, one start-bit, one stop-bit, full duplex and no parity. The Baud rate of the RS-232 communication is set by installing jumpers on JP2. The following table describes the baud rate settings:

1200	9600	BAUD RATE
ON	OFF	1200
OFF	ON	9600
OFF	OFF	19200

---

# Ethernet Configuration

## Communication Protocols

The Ethernet is a local area network through which information is transferred in units known as packets. Communication protocols are necessary to dictate how these packets are sent and received. The DMC-21x2/21x3 supports two industry standard protocols, TCP/IP and UDP/IP. The controller will automatically respond in the format in which it is contacted.

TCP/IP is a “connection” protocol. The master must be connected to the slave in order to begin communicating. Each packet sent is acknowledged when received. If no acknowledgement is received, the information is assumed lost and is resent.

Unlike TCP/IP, UDP/IP does not require a “connection”. This protocol is similar to communicating via RS232. If information is lost, the controller does not return a colon or question mark. Because the protocol does not provide for lost information, the sender must re-send the packet.

Although UDP/IP is more efficient and simple, Galil recommends using the TCP/IP protocol. TCP/IP insures that if a packet is lost or destroyed while in transit, it will be resent.

Ethernet communication transfers information in ‘packets’. The packets must be limited to 470 data bytes or less. Larger packets could cause the controller to lose communication.

**NOTE:** In order not to lose information in transit, Galil recommends that the user wait for an acknowledgement of receipt of a packet before sending the next packet.

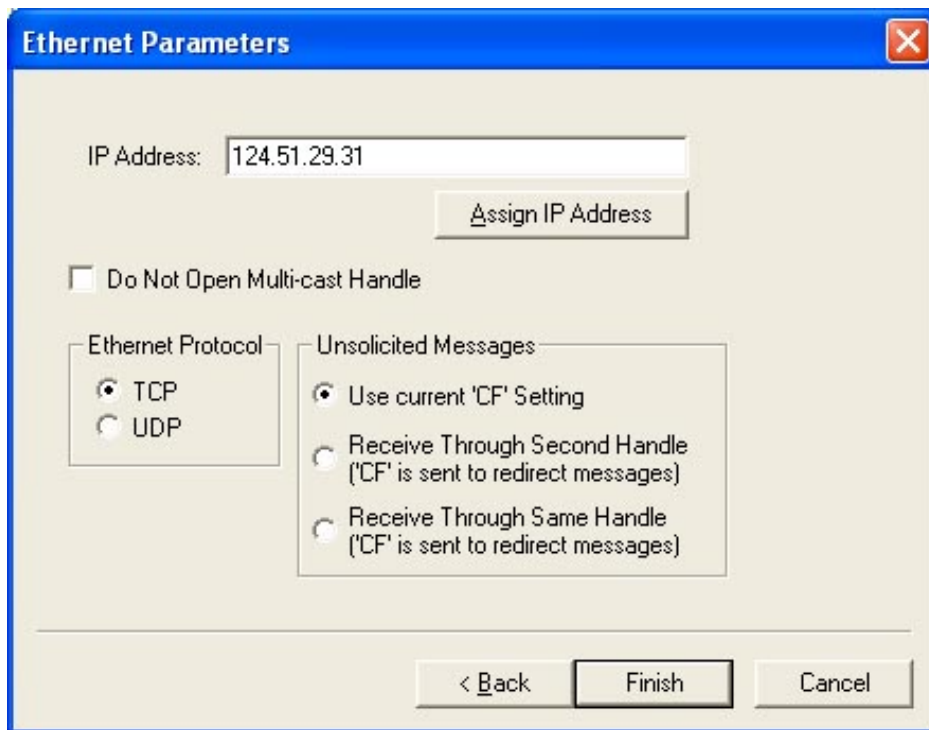
## Addressing

There are three levels of addresses that define Ethernet devices. The first is the Ethernet or hardware MAC address. This is a unique and permanent 6 byte number. No other device will have the same Ethernet address. The DMC-21x2/21x3 Ethernet address is set by the factory and the last two bytes of the address are the serial number of the controller.

The second level of addressing is the IP address. This is a 32-bit (or 4 byte) number. The IP address is constrained by each local network and must be assigned locally. Assigning an IP address to the controller can be done in a number of ways.

The first method is to use the BOOT-P utility via the Ethernet connection (the DMC-21x2/21x3 must be connected to network and powered). For a brief explanation of BOOT-P, see the section: *Third Party Software*. Either a BOOT-P server on the internal network or the Galil terminal software may be used. To use the Galil BOOT-P utility, select the registry in the terminal emulator. Select the DMC-21x2/21x3 and then the Ethernet Parameters tab. Enter the IP address at the prompt and select either TCP/IP or UDP/IP as the protocol. When done, click on the ASSIGN IP ADDRESS. The Galil Terminal Software will respond with a list of all controllers on the network that do not currently have IP addresses. The user selects the controller and the software will assign the controller the specified IP address. Then enter the terminal and type in BN to save the IP address to the controller’s non-volatile memory.

<p><b>CAUTION: Be sure that there is only one BOOT-P server running. If your network has DHCP or BOOT-P running, it may automatically assign an IP address to the controller upon linking it to the network. In order to ensure that the IP address is correct, please contact your system administrator before connecting the controller to the Ethernet network.</b></p>
--



The second method for setting an IP address is to send the IA command through the DMC-21x2/21x3 RS-232 port. The IP address you want to assign may be entered as a 4 byte number delimited by commas (industry standard uses periods) or a signed 32 bit number. (Ex. IA 124,51,29,31 or IA 2083724575) Type in BN to save the IP address to the controller’s non-volatile memory.

**NOTE:** Galil strongly recommends that the IP address selected is not one that can be accessed across the Gateway. The Gateway is an application that controls communication between an internal network and the outside world. To decide on an IP address, find the address of the computer the controller will be connecting to, then find the computer’s Subnet Mask. (In Windows, open a DOS prompt and type ipconfig). The fields of the subnet mask that contain a “255” require that the corresponding fields in the IP address of the controller be the same as the IP address of the PC. For instance, if the Subnet Mask of the PC is 255.255.0.0, and the IP address is 192.168.100.10 – then the controller’s IP address should be set to 192.168.nnn.nnn where nnn can be anything from 0-255.

The third level of Ethernet addressing is the UDP or TCP port number. The Galil controller does not require a specific port number. The port number is established by the client or master each time it connects to the controller.

## Communicating with Multiple Devices

The DMC-21x3 is capable of supporting multiple masters and slaves. The masters may be multiple PC’s that send commands to the controller. The slaves are typically peripheral I/O devices that receive commands from the controller.

**NOTE:** The term “Master” is equivalent to the internet “client”. The term “Slave” is equivalent to the internet “server”.

An Ethernet handle is a communication resource within a device. The DMC-21x2/21x3 can have a maximum of 8 Ethernet handles open at any time. When using TCP/IP, each master or slave uses an individual Ethernet handle. In UDP/IP, one handle may be used for all the masters, but each slave uses one. (Pings and ARP’s do not occupy handles.) If all 8 handles are in use and a 9<sup>th</sup> master tries to connect, it will be sent a “reset packet” that generates the appropriate error in its windows application.

**NOTE:** There are a number of ways to reset the controller. Hardware reset (push reset button or power down controller) and software resets (through Ethernet or RS232 by entering RS). The only reset that will not cause the controller to disconnect is a software reset via the Ethernet.

When the Galil controller acts as the master, the IH command is used to assign handles and connect to its slaves. The IP address may be entered as a 4 byte number separated with commas (industry standard uses periods) or as a signed 32 bit number. A port number may also be specified, but if it is not, it will default to 1000. The protocol (TCP/IP or UDP/IP) to use must also be designated at this time. Otherwise, the controller will not connect to the slave. (Ex. IHB=151,25,255,9<179>2 This will open handle #2 and connect to the IP address 151.25.255.9, port 179, using TCP/IP)

An additional protocol layer is available for speaking to I/O devices. Modbus is an RS-485 protocol that packages information in binary packets that are sent as part of a TCP/IP packet. In this protocol, each slave has a 1 byte slave address. The DMC-21x2/21x3 can use a specific slave address or default to the handle number. The port number for Modbus is 502.

The Modbus protocol has a set of commands called function codes. The DMC-21x2/21x3 supports the 10 major function codes:

Function Code	Definition
01	Read Coil Status (Read Bits)
02	Read Input Status (Read Bits)
03	Read Holding Registers (Read Words)
04	Read Input Registers (Read Words)
05	Force Single Coil (Write One Bit)
06	Preset Single Register (Write One Word)
07	Read Exception Status (Read Error Code)
15	Force Multiple Coils (Write Multiple Bits)
16	Preset Multiple Registers (Write Words)
17	Report Slave ID

The DMC-21x2/21x3 provides three levels of Modbus communication. The first level allows the user to create a raw packet and receive raw data. It uses the MBh command with a function code of -1. The format of the command is

MBh = -1,len,array[]      where    len is the number of bytes  
array[] is the array with the data

The second level incorporates the Modbus structure. This is necessary for sending configuration and special commands to an I/O device. The formats vary depending on the function code that is called. For more information refer to the Command Reference.

The third level of Modbus communication uses standard Galil commands. Once the slave has been configured, the commands that may be used are @IN[], SB, CB, OB, and AO. For example, AO 2020,8.2 would tell I/O number 2020 to output 8.2 volts.

If a specific slave address is not necessary, the I/O number to be used can be calculated with the following:

$$\text{I/O Number} = (\text{HandleNum} * 1000) + ((\text{Module}-1) * 4) + (\text{BitNum}-1)$$

Where HandleNum is the handle number from 1 (A) to 8 (H). Module is the position of the module in the rack from 1 to 16. BitNum is the I/O point in the module from 1 to 4.

If an explicit slave address is to be used, the equation becomes:

$$\text{I/O Number} = (\text{SlaveAddress} * 10000) + (\text{HandleNum} * 1000) + ((\text{Module}-1) * 4) + (\text{Bitnum}-1)$$

To view an example procedure for communicating with an OPTO-22 rack, refer to the appendix.

Which devices receive what information from the controller depends on a number of things. If a device queries the controller, it will receive the response unless it explicitly tells the controller to send it to another device. If the command that generates a response is part of a downloaded program, the response will route to whichever port is specified as the default (unless explicitly told to go to another port) with the ENET switch (“ON” designates Ethernet in which case it goes to the last handle to communicate with the controller, “OFF” designates main RS232). To designate a specific destination for the information, add {Eh} to the end of the command. (Ex. MG{EC}”Hello” will send the message “Hello” to handle #3. TP,,,{EF} will send the z axis position to handle #6.)

## Multicasting

A multicast may only be used in UDP/IP and is similar to a broadcast (where everyone on the network gets the information) but specific to a group. In other words, all devices within a specified group will receive the information that is sent in a multicast. There can be many multicast groups on a network and are differentiated by their multicast IP address. To communicate with all the devices in a specific multicast group, the information can be sent to the multicast IP address rather than to each individual device IP address. All Galil controllers belong to a default multicast address of 239.255.19.56. The controller’s multicast IP address can be changed by using the IA> u command.

## Using Third Party Software

Galil supports ARP, BOOT-P, and Ping which are utilities for establishing Ethernet connections. ARP is an application that determines the Ethernet (hardware) address of a device at a specific IP address. BOOT-P is an application that determines which devices on the network do not have an IP address and assigns the IP address you have chosen to it. Ping is used to check the communication between the device at a specific IP address and the host computer.

The DMC-21x2/21x3 can communicate with a host computer through any application that can send TCP/IP or UDP/IP packets. A good example of this is Telnet, a utility that comes with most Windows systems.

---

## Data Record

The DMC-21x2/21x3 can provide a block of status information with the use of a single command, QR. This command, along with the QZ command can be very useful for accessing complete controller status. The QR command will return 4 bytes of header information and specific blocks of information as specified by the command arguments:

QR ABCDEFGHST

Each argument corresponds to a block of information according to the Data Record Map below. If no argument is given, the entire data record map will be returned. Note that the data record size will depend on the number of axes.

## Data Record Map

DATA TYPE	ITEM	BLOCK
UB	1 <sup>st</sup> byte of header	Header
UB	2 <sup>nd</sup> byte of header	Header
UB	3 <sup>rd</sup> byte of header	Header
UB	4 <sup>th</sup> byte of header	Header
UW	sample number	I block
UB	general input 0	I block
UB	general input 1	I block
UB	general input 2	I block
UB	general input 3	I block
UB	general input 4	I block
UB	general input 5	I block
UB	general input 6	I block
UB	general input 7	I block
UB	general input 8	I block
UB	general input 9	I block
UB	general output 0	I block
UB	general output 1	I block
UB	general output 2	I block
UB	general output 3	I block
UB	general output 4	I block
UB	general output 5	I block
UB	general output 6	I block
UB	general output 7	I block
UB	general output 8	I block
UB	general output 9	I block
UB	error code	I block
UB	general status	I block
UW	segment count of coordinated move for S plane	S block
UW	coordinated move status for S plane	S block
SL	distance traveled in coordinated move for S plane	S block
UW	segment count of coordinated move for T plane	T block
UW	coordinated move status for T plane	T block
SL	distance traveled in coordinated move for T plane	T block
UW	a axis status	A block
UB	a axis switches	A block
UB	a axis stopcode	A block
SL	a axis reference position	A block
SL	a axis motor position	A block
SL	a axis position error	A block
SL	a axis auxiliary position	A block
SL	a axis velocity	A block
SW	a axis torque	A block



SW	0 or a axis analog (DB-28040)	A block
UW	b axis status	B block
UB	b axis switches	B block
UB	b axis stopcode	B block
SL	b axis reference position	B block
SL	b axis motor position	B block
SL	b axis position error	B block
SL	b axis auxiliary position	B block
SL	b axis velocity	B block
SW	b axis torque	B block
SW	0 or b axis analog (DB-28040)	B block
UW	c axis status	C block
UB	c axis switches	C block
UB	c axis stopcode	C block
SL	c axis reference position	C block
SL	c axis motor position	C block
SL	c axis position error	C block
SL	c axis auxiliary position	C block
SL	c axis velocity	C block
SW	c axis torque	C block
SW	0 or c axis analog (DB-28040)	C block
UW	d axis status	D block
UB	d axis switches	D block
UB	d axis stopcode	D block
SL	d axis reference position	D block
SL	d axis motor position	D block
SL	d axis position error	D block
SL	d axis auxiliary position	D block
SL	d axis velocity	D block
SW	d axis torque	D block
SW	0 or d axis analog (DB-28040)	D block
UW	e axis status	E block
UB	e axis switches	E block
UB	e axis stopcode	E block
SL	e axis reference position	E block
SL	e axis motor position	E block
SL	e axis position error	E block
SL	e axis auxiliary position	E block
SL	e axis velocity	E block
SW	e axis torque	E block
SW	0 or e axis analog (DB-28040)	E block
UW	f axis status	F block
UB	f axis switches	F block
UB	f axis stopcode	F block
SL	f axis reference position	F block

SL	f axis motor position	F block
SL	f axis position error	F block
SL	f axis auxiliary position	F block
SL	f axis velocity	F block
SW	f axis torque	F block
SW	0 or f axis analog (DB-28040)	F block
UW	g axis status	G block
UB	g axis switches	G block
UB	g axis stopcode	G block
SL	g axis reference position	G block
SL	g axis motor position	G block
SL	g axis position error	G block
SL	g axis auxiliary position	G block
SL	g axis velocity	G block
SW	g axis torque	G block
SW	0 or g axis analog (DB-28040)	G block
UW	h axis status	H block
UB	h axis switches	H block
UB	h axis stopcode	H block
SL	h axis reference position	H block
SL	h axis motor position	H block
SL	h axis position error	H block
SL	h axis auxiliary position	H block
SL	h axis velocity	H block
SW	h axis torque	H block
SW	0 or h axis analog (DB-28040)	H block

**NOTE:** UB = Unsigned Byte, UW = Unsigned Word, SW = Signed Word, SL = Signed Long Word

## Explanation of Status Information and Axis Switch Information

### *Header Information – Byte 0, 1 of Header:*

BIT 15	BIT 14	BIT 13	BIT 12	BIT 11	BIT 10	BIT 9	BIT 8
1	N/A	N/A	N/A	N/A	I Block Present in Data Record	T Block Present in Data Record	S Block Present in Data Record
BIT 7	BIT 6	BIT 5	BIT 4	BIT 3	BIT 2	BIT 1	BIT 0
H Block Present in Data Record	G Block Present in Data Record	F Block Present in Data Record	E Block Present in Data Record	D Block Present in Data Record	C Block Present in Data Record	B Block Present in Data Record	A Block Present in Data Record

### ***Bytes 2, 3 of Header:***

Bytes 2 and 3 make a word, which represents the Number of bytes in the data record, including the header.

***Byte 2 is the low byte and byte 3 is the high byte***

**NOTE:** The header information of the data records is formatted in little endian.

### ***General Status Information (1 Byte)***

BIT 7	BIT 6	BIT 5	BIT 4	BIT 3	BIT 2	BIT 1	BIT 0
Program Running	N/A	N/A	N/A	N/A	Waiting for input from IN command	Trace On	Echo On

### ***Axis Switch Information (1 Byte)***

BIT 7	BIT 6	BIT 5	BIT 4	BIT 3	BIT 2	BIT 1	BIT 0
Latch Occurred	State of Latch Input	N/A	N/A	State of Forward Limit	State of Reverse Limit	State of Home Input	SM Jumper Installed

### ***Axis Status Information (2 Byte)***

BIT 15	BIT 14	BIT 13	BIT 12	BIT 11	BIT 10	BIT 9	BIT 8
Move in Progress	Mode of Motion PA or PR	Mode of Motion PA only	(FE) Find Edge in Progress	Home (HM) in Progress	1 <sup>st</sup> Phase of HM complete	2 <sup>nd</sup> Phase of HM complete or FI command issued	Mode of Motion Coord. Motion
BIT 7	BIT 6	BIT 5	BIT 4	BIT 3	BIT 2	BIT 1	BIT 0
Negative Direction Move	Mode of Motion Contour	Motion is slewing	Motion is stopping due to ST or Limit Switch	Motion is making final <input type="checkbox"/> ecal.	Latch is armed	Off On Error armed	Motor Off

### ***Coordinated Motion Status Information for S or T plane (2 Byte)***

BIT 15	BIT 14	BIT 13	BIT 12	BIT 11	BIT 10	BIT 9	BIT 8
Move in Progress	N/A	N/A	N/A	N/A	N/A	N/A	N/A
BIT 7	BIT 6	BIT 5	BIT 4	BIT 3	BIT 2	BIT 1	BIT 0
N/A	N/A	Motion is slewing	Motion is stopping due to ST or Limit Switch	Motion is making final <input type="checkbox"/> ecal.	N/A	N/A	N/A

## Notes Regarding Velocity and Torque Information

The velocity information that is returned in the data record is 64 times larger than the value returned when using the command TV (Tell Velocity). See command reference for more information about TV.

The Torque information is represented as a number in the range of +/-32767. Maximum negative torque is -32767. Maximum positive torque is 32767. Zero torque is 0.

## QZ Command

The QZ command can be very useful when using the QR command, since it provides information about the controller and the data record. The QZ command returns the following 4 bytes of information.

BYTE #	INFORMATION
0	Number of axes present
1	number of bytes in general block of data record
2	number of bytes in coordinate plane block of data record
3	Number of Bytes in each axis block of data record

---

## Controller Response to Commands

Most DMC-21x2/21x3 instructions are represented by two characters followed by the appropriate parameters. Each instruction must be terminated by a carriage return or semicolon.

Instructions are sent in ASCII, and the DMC-21x2/21x3 decodes each ASCII character (one byte) one at a time. It takes approximately .5 msec for the controller to decode each command. However, the PC can send data to the controller at a much faster rate because of the FIFO buffer.

After the instruction is decoded, the DMC-21x2/21x3 returns a response to the port from which the command was generated. If the instruction was valid, the controller returns a colon (:) or a question mark (?) if the instruction was not valid. For example, the controller will respond to commands which are sent via the main RS-232 port back through the RS-232 port, and to commands which are sent via the Ethernet port back through the Ethernet port.

For instructions that return data, such as Tell Position (TP), the DMC-21x2/21x3 will return the data followed by a carriage return, line feed and : .

It is good practice to check for : after each command is sent to prevent errors. An echo function is provided to enable associating the DMC-21x2/21x3 response with the data sent. The echo is enabled by sending the command EO 1 to the controller.

---

## Unsolicited Messages Generated by Controller

When the controller is executing a program, it may generate responses which will be sent via the main RS-232 port or Ethernet ports. This response could be generated as a result of messages using the MG or IN command OR as a result of a command error. These responses are known as unsolicited messages since they are not generated as the direct response to a command.

Messages can be directed to a specific port using the CF command or using the specific Port arguments – see MG and IN commands described in the Command Reference. If the port is not explicitly given, unsolicited messages will be sent to the default port.

The controller has a special command, CW, which can affect the format of unsolicited messages. This command is used by Galil Software to differentiate response from the command line and unsolicited messages. The command CW1 causes the controller to set the high bit of ASCII characters to 1 of all unsolicited characters. This may cause characters to appear garbled to some terminals. This function can be disabled by issuing the command, CW2. For more information, see the CW command in the Command Reference.

---

## Galil Software Tools and Libraries

API (Application Programming Interface) software is available from Galil. The API software is written in C and is included in the Galil CD Rom. They can be used for development under DOS and Windows environments (16 and 32 bit Windows). With the API's, the user can incorporate already existing library functions directly into a C program.

Galil has also developed an ActiveX Tool Kit. This provides 32-bit OCXs for handling all of the DMC-21x2/21x3 communications including support of interrupts. These objects install directly into Visual Basic, LabVIEW, C, or any software that accepts ActiveX tools and are part of the run-time environment. For more information, contact Galil.

**THIS PAGE LEFT BLANK INTENTIONALLY**

# Chapter 5 Command Basics

---

## Introduction

The DMC-21x2/21x3 provides over 100 commands for specifying motion and machine parameters. Commands are included to initiate action, interrogate status and configure the digital filter. These commands can be sent in ASCII or binary.

In ASCII, the DMC-21x2/21x3 instruction set is BASIC-like and easy to use. Instructions consist of two uppercase letters that correspond phonetically with the appropriate function. For example, the instruction BG begins motion, and ST stops the motion. In binary, commands are represented by a binary code ranging from 80 to FF.

ASCII commands can be sent “live” over the bus for immediate execution by the DMC-21x2/21x3, or an entire group of commands can be downloaded into the DMC-21x2/21x3 memory for execution at a later time. Combining commands into groups for later execution is referred to as Applications Programming and is discussed in the following chapter. Binary commands cannot be used in Applications programming.

This section describes the DMC-21x2/21x3 instruction set and syntax. A summary of commands as well as a complete listing of all DMC-21x2/21x3 instructions is included in the *Command Reference Manual*.

---

## Command Syntax - ASCII

DMC-21x2/21x3 instructions are represented by two ASCII upper case characters followed by applicable arguments. A space may be inserted between the instruction and arguments. A semicolon or <return> is used to terminate the instruction for processing by the DMC-21x2/21x3 command interpreter.

**NOTE:** If you are using a Galil terminal program, commands will not be processed until an <return> command is given. This allows the user to separate many commands on a single line and not begin execution until the user gives the <return> command.

<b>IMPORTANT: All DMC-21x2/21x3 commands are sent in upper case.</b>
--

For example, the command

PR 4000 <return>

Position Relative

PR is the two character instruction for position relative. 4000 is the argument which represents the required position value in counts. The <return> terminates the instruction. The space between PR and 4000 is optional.

For specifying data for the A,B,C and D axes, commas are used to separate the axes. If no data is specified for an axis, a comma is still needed as shown in the examples below. If no data is specified for an axis, the previous value is maintained.

To view the current values for each command, type the command followed by a ? for each axis requested.

PR 1000	Specify A only as 1000
PR ,2000	Specify B only as 2000
PR ,,3000	Specify C only as 3000
PR,,,4000	Specify D only as 4000
PR 2000, 4000,6000, 8000	Specify A,B,C and D
PR ,8000,,9000	Specify B and D only
PR ?,?,?,?	Request A,B,C,D values
PR ,?	Request B value only

The DMC-21x2/21x3 provides an alternative method for specifying data. Here data is specified individually using a single axis specifier such as A,B,C or D. An equals sign is used to assign data to that axis. For example:

PRA=1000	Specify a position relative movement for the A axis of 1000
ACB=200000	Specify acceleration for the B axis as 200000

Instead of data, some commands request action to occur on an axis or group of axes. For example, ST AB stops motion on both the A and B axes. Commas are not required in this case since the particular axis is specified by the appropriate letter A,B,C or D. If no parameters follow the instruction, action will take place on all axes. Here are some examples of syntax for requesting action:

BG A	Begin A only
BG B	Begin B only
BG ABCD	Begin all axes
BG BD	Begin B and D only
BG	Begin all axes

**2182**

For controllers with 5 or more axes, the axes are referred to as A,B,C,D,E,F,G,H.

BG ABCDEFGH	Begin all axes
BG D	Begin D only

**Coordinated Motion with more than 1 axis**

When requesting action for coordinated motion, the letter S and T are used to specify coordinated motion planes. For example:

BG S	Begin coordinated sequence, S
BG TD	Begin coordinated sequence, T, and D axis



---

## Command Syntax - Binary

Some commands have an equivalent binary value. Binary communication mode can be executed much faster than ASCII commands. Binary format can only be used when commands are sent from the PC and cannot be embedded in an application program.

### Binary Command Format

All binary commands have a 4 byte header and is followed by data fields. The 4 bytes are specified in hexadecimal format.

#### *Header Format:*

##### *Byte 1*

Specifies the command number between 80 to FF. The complete binary command number table is listed below.

##### *Byte 2*

Specifies the # of bytes in each field as 0,1,2,4 or 6 as follows:

00	No datafields (i.e. SH or BG)
01	One byte per field
02	One word (2 bytes per field)
04	One long word (4 bytes) per field
06	Galil real format (4 bytes integer and 2 bytes fraction)

##### *Byte 3*

Specifies whether the command applies to a coordinated move as follows:

00	No coordinated motion movement
01	Coordinated motion movement

For example, the command STS designates motion to stop on a vector motion. The third byte for the equivalent binary command would be 01.

##### *Byte 4*

Specifies the axis # or data field as follows

Bit 7	= H axis or 8 <sup>th</sup> data field
Bit 6	= G axis or 7 <sup>th</sup> data field
Bit 5	= F axis or 6 <sup>th</sup> data field
Bit 4	= E axis or 5 <sup>th</sup> data field
Bit 3	= D axis or 4 <sup>th</sup> data field
Bit 2	= C axis or 3 <sup>rd</sup> data field

Bit 1 = B axis or 2<sup>nd</sup> data field

Bit 0 = A axis or 1<sup>st</sup> data field

### ***Datafields Format***

Datafields must be consistent with the format byte and the axes byte. For example, the command PR 1000,, -500 would be

A7 02 00 05 03 E8 FE 0C

where A7 is the command number for PR

02 specifies 2 bytes for each data field

00 S is not active for PR

05 specifies bit 0 is active for A axis and bit 2 is active for C axis ( $2^0 + 2^2=5$ )

03 E8 represents 1000

FE OE represents -500

### ***Example***

The command ST ABCS would be

A1 00 01 07

where A1 is the command number for ST

00 specifies 0 data fields

01 specifies stop the coordinated axes S

07 specifies stop X (bit 0), Y (bit 1) and Z (bit 2)  $2^0+2^1+2^2=7$

### **Binary Command Table**

COMMAND	NO.	COMMAND	NO.	COMMAND	No.
reserved	80	reserved	ab	reserved	d6
KP	81	reserved	ac	reserved	d7
KI	82	reserved	ad	RP	d8
KD	83	reserved	ae	TP	d9
DV	84	reserved	af	TE	da
KF	86	LM	b0	TD	db
PL	87	LI	b1	TV	dc
ER	88	VP	b2	RL	dd
IL	89	CR	a3	TT	de
TL	8a	TN	b4	TS	df
MT	8b	LE, VE	b5	TI	e0
CE	8c	VT	b6	SC	e1
OE	8d	VA	b7	reserved	e2
FL	8e	VD	b8	reserved	e3
BL	8f	VS	b9	reserved	e4
AC	90	VR	ba	TM	e5

DC	91	reserved	bb	CN	e6
SP	92	reserved	bc	LZ	e7
IT	93	CM	bd	OP	e8
FA	94	CD	be	OB	e9
FV	95	DT	bf	SB	ea
GR	96	ET	c0	CB	eb
DP	97	EM	c1	II	ec
DE	98	EP	c2	EI	ed
OF	99	EG	c3	AL	ee
GM	9a	EB	c4	reserved	ef
reserved	9b	EQ	c5	reserved	f0
reserved	9c	EC	c6	reserved	f1
reserved	9d	reserved	c7	reserved	f2
reserved	9e	AM	c8	reserved	f3
reserved	9f	MC	c9	reserved	f4
BG	a0	TW	ca	reserved	f5
ST	a1	MF	cb	reserved	f6
AB	a2	MR	cc	reserved	f7
HM	a3	AD	cd	reserved	f8
FE	a4	AP	ce	reserved	f9
FI	a5	AR	cf	reserved	fa
PA	a6	AS	d0	reserved	fb
PR	a7	AI	d1	reserved	fc
JG	a8	AT	d2	reserved	fd
MO	a9	WT	d3	reserved	fe
SH	aa	WC	d4	reserved	ff
		reserved	d5		

---

## Controller Response to DATA

The DMC-21x2/21x3 returns a : for valid commands and a ? for invalid commands.

For example, if the command BG is sent in lower case, the DMC-21x2/21x3 will return a ?.

```
:bg <return>          invalid command, lower case
?                      DMC-21x2/21x3 returns a ?
```

When the controller receives an invalid command the user can request the error code. The error code will specify the reason for the invalid command response. To request the error code type the command: TC1 For example:

```
?TC1 <return>          Tell Code command
1 Unrecognized Command  Returned response
```

There are many reasons for receiving an invalid command response. The most common reasons are: unrecognized command (such as typographical entry or lower case), command given at improper time (such as during motion), or a command out of range (such as exceeding maximum speed). A complete listing of all codes is listed in the TC command in the Command Reference.

---

# Interrogating the Controller

## Interrogation Commands

The DMC-21x2/21x3 has a set of commands that directly interrogate the controller. When the command is entered, the requested data is returned in decimal format on the next line followed by a carriage return and line feed. The format of the returned data can be changed using the Position Format (PF), Variable Format (VF) and Leading Zeros (LZ) command. See Chapter 7 and the Command Reference.

## Summary of Interrogation Commands

RP	Report Command Position
RL	Report Latch
^R ^V	Firmware Revision Information
SC	Stop Code
TB	Tell Status
TC	Tell Error Code
TD	Tell Dual Encoder
TE	Tell Error
TH	Tell Handle Information
TI	Tell Input
TP	Tell Position
TR	Trace
TS	Tell Switches
TT	Tell Torque
TV	Tell Velocity
TH	Tell Ethernet Handle status
TZ	Tell I/O Status

For example, the following example illustrates how to display the current position of the X axis:

```
TP A <return>          Tell position A
0000000000            Controllers Response
TP AB <return>         Tell position A and B
0000000000,0000000000 Controllers Response
```

## Interrogating Current Commanded Values.

Most commands can be interrogated by using a question mark (?) as the axis specifier. Type the command followed by a ? for each axis requested.

```
PR ?,?,?,?           Request A,B,C,D values
PR ,?                 Request B value only
```

The controller can also be interrogated with operands.

## Operands

Most DMC-21x2/21x3 commands have corresponding operands that can be used for interrogation. Operands must be used inside of valid DMC expressions. For example, to display the value of an operand, the user could use the command:

MG 'operand' where 'operand' is a valid DMC operand

All of the command operands begin with the underscore character (\_). For example, the value of the current position on the A axis can be assigned to the variable 'V' with the command:

V=\_TPA

The Command Reference denotes all commands which have an equivalent operand as "Used as an Operand". Also, see description of operands in Chapter 7.

## Command Summary

For a complete command summary, see *Command Reference* manual.

**THIS PAGE LEFT BLANK INTENTIONALLY**

# Chapter 6 Programming Motion

## Overview

The DMC-21x2/21x3 provides several modes of motion, including independent positioning and jogging, coordinated motion, electronic cam motion, and electronic gearing. Each one of these modes is discussed in the following sections.

The DMC-2112/3 is a single axis controller and uses A-axis motion only. Likewise, the DMC-2122/3 uses A and B, the DMC-2132/3 uses A,B and C, and the DMC-2142/3 uses A,B,C and D. The DMC-2152/3 uses A,B,C,D, and E. The DMC-2162/3 uses A,B,C,D,E, and F. The DMC-2172/3 uses A,B,C,D,E,F and G. The DMC-2182/3 uses the axes A,B,C,D,E,F,G, and H.

The example applications described below will help guide you to the appropriate mode of motion.

Example Application	Mode of Motion	Commands
Absolute or relative positioning where each axis is independent and follows prescribed velocity profile.	Independent Axis Positioning	PA,PR SP,AC,DC
Velocity control where no final endpoint is prescribed. Motion stops on Stop command.	Independent Jogging	JG AC,DC ST
Absolute positioning mode where absolute position targets may be sent to the controller while the axis is in motion.	Position Tracking	PA PT SP AC, DC
Motion Path described as incremental position points versus time.	Contour Mode	CM CD DT WC
2-8 axis coordinated motion where path is described by linear segments.	Linear Interpolation	LM LI,LE VS,VR VA,VD

2-D motion path consisting of arc segments and linear segments, such as engraving or quilting.	Coordinated Motion	VM VP CR VS,VR VA,VD VE
Third axis must remain tangent to 2-D motion path, such as knife cutting.	Coordinated motion with tangent axis specified	VM VP CR VS,VA,VD TN VE
Electronic gearing where slave axes are scaled to master axis which can move in both directions.	Electronic Gearing	GA GD _GP GR GM (if gantry)
Master/slave where slave axes must follow a master such as conveyer speed.	Electronic Gearing	GA GD _GP GR
Moving along arbitrary profiles or mathematically prescribed profiles such as sine or cosine trajectories.	Contour Mode	CM CD DT WC
Teaching or Record and Play Back	Contour Mode with Automatic Array Capture	CM CD DT WC RA RD RC
Backlash Correction	Dual Loop	DV
Following a trajectory based on a master encoder position	Electronic Cam	EA EM EP ET EB EG EQ
Smooth motion while operating in independent axis positioning	Independent Motion Smoothing	IT
Smooth motion while operating in vector or linear interpolation positioning	Vector Smoothing	VT
Smooth motion while operating with stepper motors	Stepper Motor Smoothing	KS
Gantry - two axes are coupled by gantry	Gantry Mode	GR GM



# Independent Axis Positioning

In this mode, motion between the specified axes is independent, and each axis follows its own profile. The user specifies the desired absolute position (PA) or relative position (PR), slew speed (SP), acceleration ramp (AC), and deceleration ramp (DC), for each axis. On begin (BG), the DMC-21x2/21x3 profiler generates the corresponding trapezoidal or triangular velocity profile and position trajectory. The controller determines a new command position along the trajectory every second sample period until the specified profile is complete. Motion is complete when the last position command is sent by the DMC-21x2/21x3 profiler.

**NOTE:** The actual motor motion may not be complete when the profile has been completed, however, the next motion command may be specified.

The Begin (BG) command can be issued for all axes either simultaneously or independently. ABC or D axis specifiers are required to select the axes for motion. When no axes are specified, this causes motion to begin on all axes.

The speed (SP) and the acceleration (AC) can be changed at any time during motion, however, the deceleration (DC) and position (PR or PA) cannot be changed until motion is complete. Remember, motion is complete when the profiler is finished, not when the actual motor is in position. The Stop command (ST) can be issued at any time to decelerate the motor to a stop before it reaches its final position.

An incremental position movement (IP) may be specified during motion as long as the additional move is in the same direction. Here, the user specifies the desired position increment, n. The new target is equal to the old target plus the increment, n. Upon receiving the IP command, a revised profile will be generated for motion towards the new end position. The IP command does not require a BG.

**NOTE:** If the motor is not moving, the IP command is equivalent to the PR and BG command combination.

## Command Summary - Independent Axis

COMMAND	DESCRIPTION
PR A,B,C,D	Specifies relative distance
PA A,B,C,D	Specifies absolute position
SP A,B,C,D	Specifies slew speed
AC A,B,C,D	Specifies acceleration rate
DC A,B,C,D	Specifies deceleration rate
BG ABCD	Starts motion
ST ABCD	Stops motion before end of move
IP A,B,C,D	Changes position target
IT A,B,C,D	Time constant for independent motion smoothing
AM ABCD	Trippoint for profiler complete
MC ABCD	Trippoint for "in position"

The DMC-21x2/21x3 also allows use of single axis specifiers such as PRB=2000

## Operand Summary - Independent Axis

OPERAND	DESCRIPTION
_ACx	Return acceleration rate for the axis specified by 'x'

_DCx	Return deceleration rate for the axis specified by 'x'
_SPx	Returns the speed for the axis specified by 'x'
_PAx	Returns current destination if 'x' axis is moving, otherwise returns the current commanded position if in a move.
_PRx	Returns current incremental distance specified for the 'x' axis

## Examples

### *Absolute Position Movement*

Instruction	Interpretation
PA 10000,20000	Specify absolute A,B position
AC 1000000,1000000	Acceleration for A,B
DC 1000000,1000000	Deceleration for A,B
SP 50000,30000	Speeds for A,B
BG AB	Begin motion

### *Multiple Move Sequence*

Required Motion Profiles:

A-Axis	500 counts	Position
	10000 count/sec	Speed
	500000 counts/sec <sup>2</sup>	Acceleration
B-Axis	1000 counts	Position
	15000 count/sec	Speed
	500000 counts/sec <sup>2</sup>	Acceleration
C-Axis	100 counts	Position
	5000 counts/sec	Speed
	500000 counts/sec	Acceleration

This example will specify a relative position movement on A, B and C axes. The movement on each axis will be separated by 20 msec. Fig. 6.1 shows the velocity profiles for the A,B and C axis.

Instruction	Interpretation
#A	Begin Program
PR 2000,500,100	Specify relative position movement of 2000, 500 and 100 counts for A,B and C axes.
SP 15000,10000,5000	Specify speed of 10000, 15000, and 5000 counts / sec
AC 500000,500000,500000	Specify acceleration of 500000 counts / sec <sup>2</sup> for all axes
DC 500000,500000,500000	Specify deceleration of 500000 counts / sec <sup>2</sup> for all axes
BG A	Begin motion on the A axis
WT 20	Wait 20 msec
BG B	Begin motion on the B axis
WT 20	Wait 20 msec
BG C	Begin motion on C axis

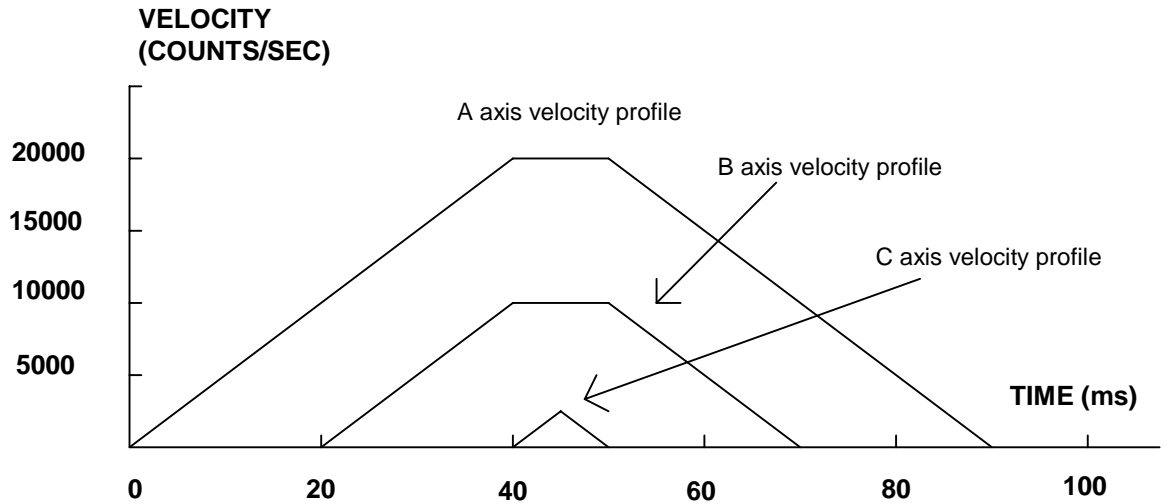


Figure 6.1 - Velocity Profiles of ABC

Notes on fig 6.1: The A and B axis have a ‘trapezoidal’ velocity profile, while the C axis has a ‘triangular’ velocity profile. The A and B axes accelerate to the specified speed, move at this constant speed, and then decelerate such that the final position agrees with the command position, PR. The C axis accelerates, but before the specified speed is achieved, must begin deceleration such that the axis will stop at the commanded position. All 3 axes have the same acceleration and deceleration rate, hence, the slope of the rising and falling edges of all 3 velocity profiles are the same.

## Independent Jogging

The jog mode of motion is very flexible because speed, direction and acceleration can be changed during motion. The user specifies the jog speed (JG), acceleration (AC), and the deceleration (DC) rate for each axis. The direction of motion is specified by the sign of the JG parameters. When the begin command is given (BG), the motor accelerates up to speed and continues to jog at that speed until a new speed or stop (ST) command is issued. If the jog speed is changed during motion, the controller will make an accelerated (or decelerated) change to the new speed.

An instant change to the motor position can be made with the use of the IP command. Upon receiving this command, the controller commands the motor to a position which is equal to the specified increment plus the current position. This command is useful when trying to synchronize the position of two motors while they are moving.

Note that the controller operates as a closed-loop position controller while in the jog mode. The DMC-21x2/21x3 converts the velocity profile into a position trajectory and a new position target is generated every other sample period. This method of control results in precise speed regulation with phase lock accuracy.

### Command Summary - Jogging

COMMAND	DESCRIPTION
AC A,B,C,D	Specifies acceleration rate
BG ABCD	Begins motion
DC A,B,C,D	Specifies deceleration rate
IP A,B,C,D	Increments position instantly

IT A,B,C,D	Time constant for independent motion smoothing
JG +/-A,B,C,D	Specifies jog speed and direction
ST ABCD	Stops motion

Parameters can be set with individual axes specifiers such as JGB=2000 (set jog speed for B axis to 2000).

## Operand Summary - Independent Axis

OPERAND	DESCRIPTION
_ACx	Return acceleration rate for the axis specified by 'x'
_DCx	Return deceleration rate for the axis specified by 'x'
_SPx	Returns the jog speed for the axis specified by 'x'
_TVx	Returns the actual velocity of the axis specified by 'x' (averaged over .25 sec)

## Examples

### *Jog in X only*

Jog A motor at 50000 count/s. After A motor is at its jog speed, begin jogging C in reverse direction at 25000 count/s.

Instruction	Interpretation
#A	Label
AC 20000,,20000	Specify A,C acceleration of 20000 cts / sec
DC 20000,,20000	Specify A,C deceleration of 20000 cts / sec
JG 50000,,-25000	Specify jog speed and direction for A and C axis
BG A	Begin A motion
AS A	Wait until A is at speed
BG C	Begin C motion
EN	

---

## Position Tracking

The Galil controller may be placed in the position tracking mode to support changing the target of an absolute position move on the fly. New targets may be given in the same direction or the opposite direction of the current position target. The controller will then calculate a new trajectory based upon the new target and the acceleration, deceleration, and speed parameters that have been set. The motion profile in this mode is trapezoidal. There is not a set limit governing the rate at which the end point may be changed, however at the standard TM rate, the controller updates the position information at the rate of 1msec. The controller generates a profiled point every other sample, and linearly interpolates one sample between each profiled point. Some examples of applications that may use this mode are satellite tracking, missile tracking, random pattern polishing of mirrors or lenses, or any application that requires the ability to change the endpoint without completing the previous move.

The PA command is typically used to command an axis or multiple axes to a specific absolute position. For some applications such as tracking an object, the controller must proceed towards a target and have the ability to change the target during the move. In a tracking application, this could occur at any time during the move or at regularly scheduled intervals. For example if a robot was designed to follow a moving object at a specified distance and the path of the object wasn't known the robot would be required to constantly monitor the motion of the object that it was following. To remain within a specified distance it would also need to constantly update the position target it is moving towards. Galil motion controllers support this type of motion with the position tracking mode. This mode will allow scheduled or random updates to the current position target on the fly. Based on the new target the controller will either continue in the direction it is heading, change the direction it is moving, or decelerate to a stop.

The position tracking mode shouldn't be confused with the contour mode. The contour mode allows the user to generate custom profiles by updating the reference position at a specific time rate. In this mode, the position can be updated randomly or at a fixed time rate, but the velocity profile will always be trapezoidal with the parameters specified by AC, DC, and SP. Updating the position target at a specific rate will not allow the user to create a custom profile.

The following example will demonstrate the possible different motions that may be commanded by the controller in the position tracking mode. In this example, there is a host program that will generate the absolute position targets. The absolute target is determined based on the current information the host program has gathered on the object that it is tracking. The position tracking mode does allow for all of the axes on the controller to be in this mode, but for the sake of discussion, it is assumed that the robot is tracking only in the X dimension.

The controller must be placed in the position tracking mode to allow on the fly absolute position changes. This is performed with the PT command. To place the X axis in this mode, the host would issue PT1 to the controller if both X and Y axes were desired the command would be PT 1,1. The next step is to begin issuing PA command to the controller. The BG command isn't required in this mode, the SP, AC, and DC commands determine the shape of the trapezoidal velocity profile that the controller will use.

## Example Motion 1:

The host program determines that the first target for the controller to move to is located at 5000 encoder counts. The acceleration and deceleration should be set to 150,000 cts/sec<sup>2</sup> and the velocity is set to 50,000 cts/sec. The command sequence to perform this is listed below.

COMMAND	DESCRIPTION
PT1	Place the X axis in Position tracking mode
AC150000	Set the X axis acceleration to 150000 cts/sec <sup>2</sup>
DC150000	Set the X axis deceleration to 150000 cts/sec <sup>2</sup>
SP50000	Set the X axis speed to 50000 cts/sec
PA5000	Command the X axis to absolute position 5000 encoder counts

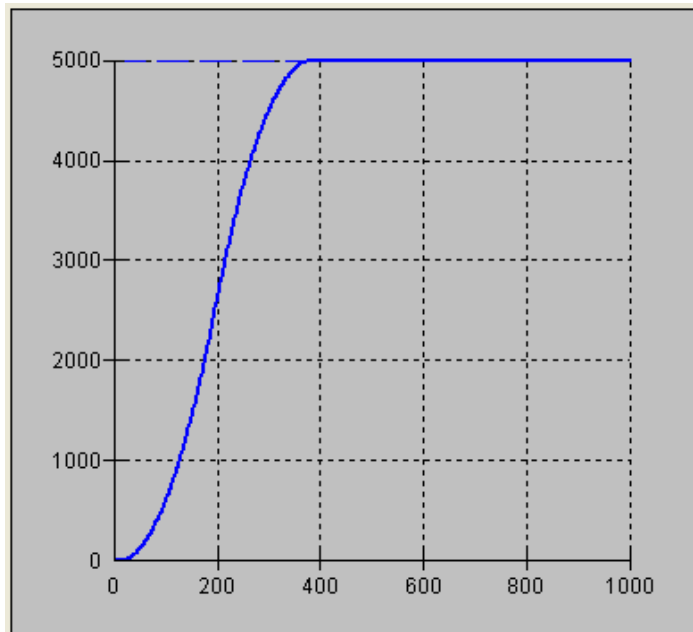


Figure 1 Position vs Time (msec) Motion 1

## Example Motion 2:

The previous step showed the plot if the motion continued all the way to 5000, however partway through the motion, the object that was being tracked changed direction, so the host program determined that the actual target position should be 2000 cts at that time. Figure 2 shows what the position profile would look like if the move was allowed to complete to 2000 cts. The position was modified when the robot was at a position of 4200 cts. Note that the robot actually travels to a distance of almost 5000 cts before it turns around. This is a function of the deceleration rate set by the DC command. When a direction change is commanded, the controller decelerates at the rate specified by the DC command. The controller then ramps the velocity in up to the value set with SP in the opposite direction traveling to the new specified absolute position. In figure 3 the velocity profile is triangular because the controller doesn't have sufficient time to reach the set speed of 50000 cts/sec before it is commanded to change direction.

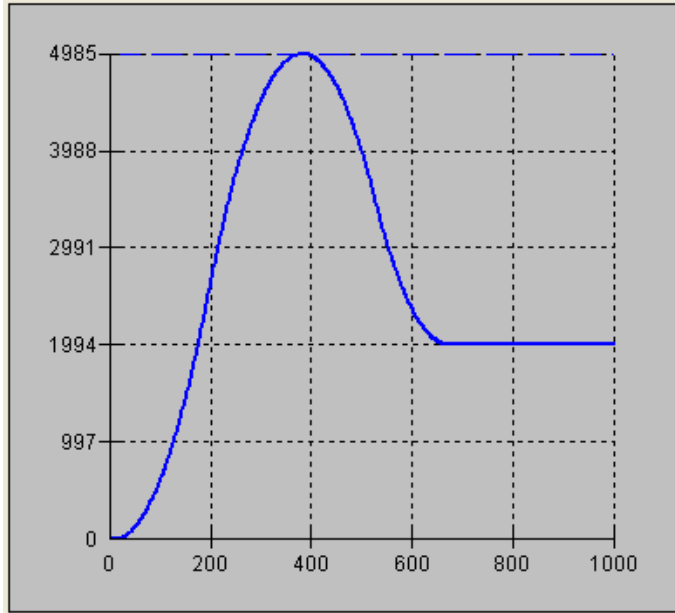


Figure 2: Position vs. Time (msec) Motion 2

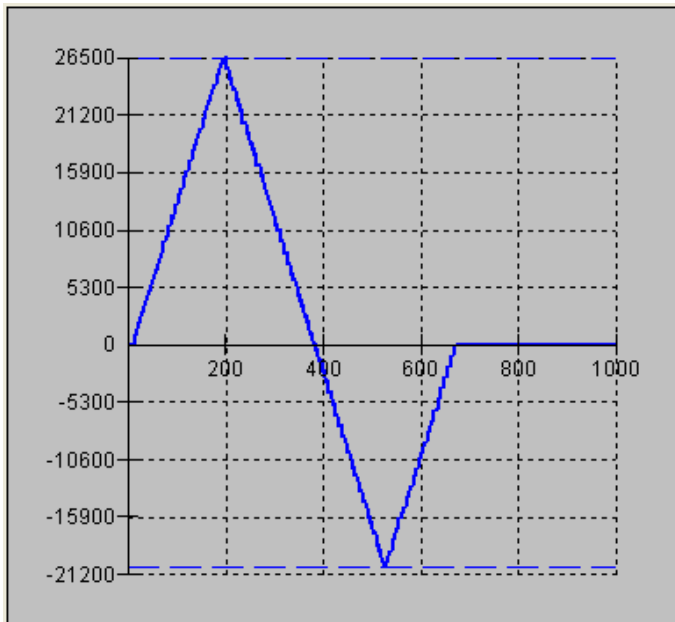


Figure 3 Velocity vs Time (msec) Motion 2

### Example Motion3:

In this motion, the host program commands the controller to begin motion towards position 5000, changes the target to -2000, and then changes it again to 8000. Figure 4 shows the plot of position vs. time, Figure 5 plots velocity vs. time, and Figure 6 demonstrates the use of motion smoothing (IT) on the velocity profile in this mode. The jerk in the system is also affected by the values set for AC and DC.

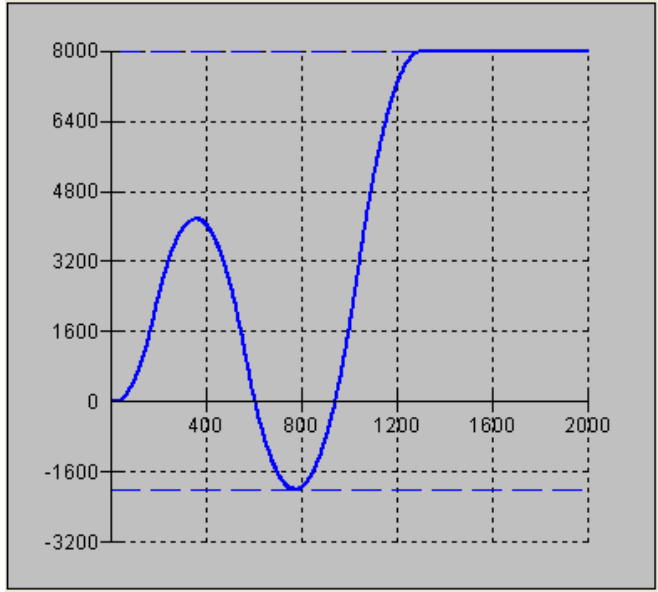


Figure 4 Position vs. Time (msec) Motion 4

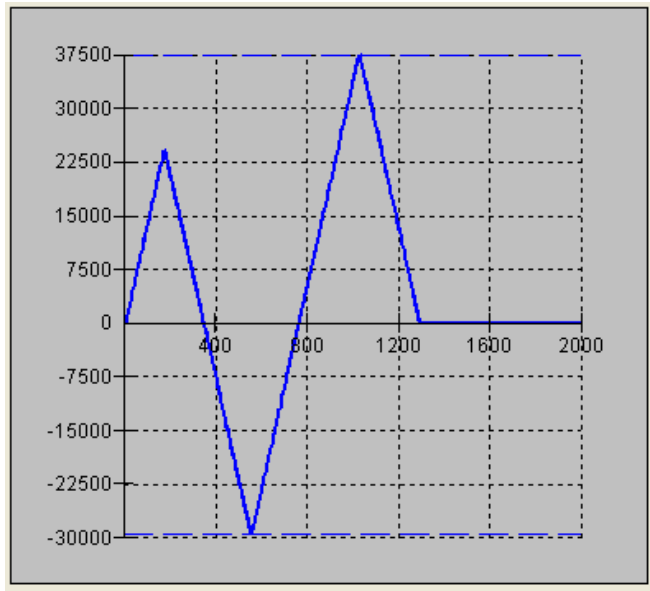


Figure 5 Velocity vs. Time Motion 4



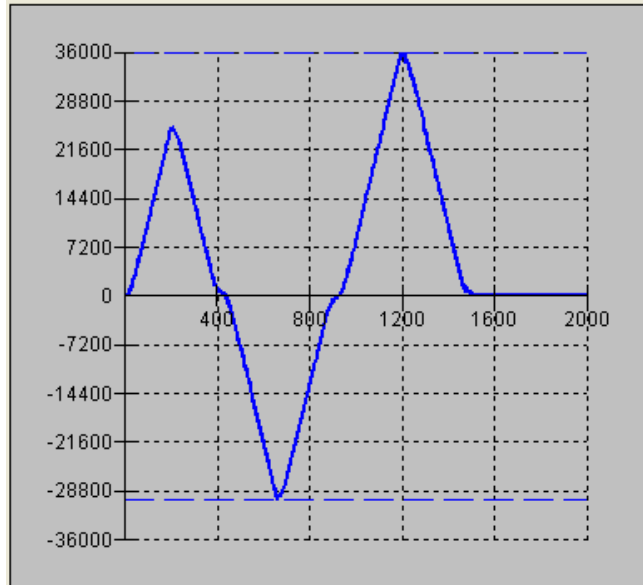


Figure 6 Velocity cts/sec vs. Time (msec) with IT

Note the controller treats the point where the velocity passes through zero as the end of one move, and the beginning of another move. IT is allowed, however it will introduce some time delay.

## Trip Points

Most trip points are valid for use while in the position tracking mode. There are a few exceptions to this; the AM and MC commands may not be used while in this mode. It is recommended that MF, MR, or AP be used, as they involve motion in a specified direction, or the passing of a specific absolute position.

## Command Summary – Position Tracking Mode

COMMAND	DESCRIPTION
AC n,n,n,n,n,n,n,n	Acceleration settings for the specified axes
AP n,n,n,n,n,n,n,n	Trip point that holds up program execution until an absolute position has been reached
DC n,n,n,n,n,n,n,n	Deceleration settings for the specified axes
MF n,n,n,n,n,n,n,n	Trip point to hold up program execution until n number of counts have passed in the forward direction. Only one axis at a time may be specified.
MR n,n,n,n,n,n,n,n	Trip point to hold up program execution until n number of counts have passed in the reverse direction. Only one axis at a time may be specified.
PT n,n,n,n,n,n,n,n	Command used to enter and exit the Trajectory Modification Mode
PA n,n,n,n,n,n,n,n	Command Used to specify the absolute position target
SP n,n,n,n,n,n,n,n	Command used to enter and exit the Trajectory Modification Mode

---

## Linear Interpolation Mode

The DMC-21x2/21x3 provides a linear interpolation mode for 2 or more axes. In linear interpolation mode, motion between the axes is coordinated to maintain the prescribed vector speed, acceleration, and deceleration along the specified path. The motion path is described in terms of incremental distances for each axis. An unlimited number of incremental segments may be given in a continuous move sequence, making the linear interpolation mode ideal for following a piece-wise linear path. There is no limit to the total move length.

The LM command selects the Linear Interpolation mode and axes for interpolation. For example, LM BC selects only the B and C axes for linear interpolation.

When using the linear interpolation mode, the LM command only needs to be specified once unless the axes for linear interpolation change.

### Specifying the Coordinate Plane

The DMC-21x2/21x3 allows for 2 separate sets of coordinate axes for linear interpolation mode or vector mode. These two sets are identified by the letters S and T.

To specify vector commands the coordinate plane must first be identified. This is done by issuing the command CAS to identify the S plane or CAT to identify the T plane. All vector commands will be applied to the active coordinate system until changed with the CA command.

### Specifying Linear Segments

The command LI a,b,c,d,e,f,g,h specifies the incremental move distance for each axis. This means motion is prescribed with respect to the current axis position. Up to 511 incremental move segments may be given prior to the Begin Sequence (BGS) command. Once motion has begun, additional LI segments may be sent to the controller.

The clear sequence (CS) command can be used to remove LI segments stored in the buffer prior to the start of the motion. To stop the motion, use the instructions STS or AB. The command, ST, causes a decelerated stop. The command, AB, causes an instantaneous stop and aborts the program, and the command AB1 aborts the motion only.

The Linear End (LE) command must be used to specify the end of a linear move sequence. This command tells the controller to decelerate to a stop following the last LI command. If an LE command is not given, an Abort AB1 must be used to abort the motion sequence.

It is the responsibility of the user to keep enough LI segments in the DMC-21x2/21x3 sequence buffer to ensure continuous motion. If the controller receives no additional LI segments and no LE command, the controller will stop motion instantly at the last vector. There will be no controlled deceleration. LM? or \_LM returns the available spaces for LI segments that can be sent to the buffer. 511 returned means the buffer is empty and 511 LI segments can be sent. A zero means the buffer is full and no additional segments can be sent. As long as the buffer is not full, additional LI segments can be sent at PC bus speeds.

The instruction \_CS returns the segment counter. As the segments are processed, \_CS increases, starting at zero. This function allows the host computer to determine which segment is being processed.

### Additional Commands

The commands VS n, VA n, and VD n are used to specify the vector speed, acceleration and deceleration. The DMC-21x2/21x3 computes the vector speed based on the axes specified in the LM

mode. For example, LM ABC designates linear interpolation for the A,B and C axes. The vector speed for this example would be computed using the equation:

$$VS^2=AS^2+BS^2+CS^2, \text{ where AS, BS and CS are the speed of the A,B and C axes.}$$

The controller always uses the axis specifications from LM, not LI, to compute the speed.

VT is used to set the S-curve smoothing constant for coordinated moves. The command AV n is the 'After Vector' trippoint, which halts program execution until the vector distance of n has been reached.

### ***Specifying Vector Speed for Each Segment***

The instruction VS has an immediate effect and, therefore, must be given at the required time. In some applications, such as CNC, it is necessary to attach various speeds to different motion segments. This can be done by two functions: < n and > m

For example: LI a,b,c,d < n > m

The first command, < n, is equivalent to commanding VS<sub>n</sub> at the start of the given segment and will cause an acceleration toward the new commanded speeds, subject to the other constraints.

The second function, > m, requires the vector speed to reach the value m at the end of the segment. Note that the function > m may start the deceleration within the given segment or during previous segments, as needed to meet the final speed requirement, under the given values of VA and VD.

Note, however, that the controller works with one > m command at a time. As a consequence, one function may be masked by another. For example, if the function >100000 is followed by >5000, and the distance for deceleration is not sufficient, the second condition will not be met. The controller will attempt to lower the speed to 5000, but will reach that at a different point.

As an example, consider the following program.

<b>Instruction</b>	<b>Interpretation</b>
#ALT	Label for alternative program
DP 0,0	Define Position of A and B axis to be 0
LMAB	Define linear mode between A and B axes.
LI 4000,0 <4000 >1000	Specify first linear segment with a vector speed of 4000 and end speed 1000
LI 1000,1000 < 4000 >1000	Specify second linear segment with a vector speed of 4000 and end speed 1000
LI 0,5000 < 4000 >1000	Specify third linear segment with a vector speed of 4000 and end speed 1000
LE	End linear segments
BGS	Begin motion sequence
EN	Program end

### ***Changing Feedrate:***

The command VR n allows the feedrate, VS, to be scaled between 0 and 10 with a resolution of .0001. This command takes effect immediately and causes VS to be scaled. VR also applies when the vector speed is specified with the '<' operator. This is a useful feature for feedrate override. VR does not ratio the accelerations. For example, VR .5 results in the specification VS 2000 to be divided in half.

## Command Summary - Linear Interpolation

COMMAND	DESCRIPTION
LM abcdefgh	Specify axes for linear interpolation
LM?	Returns number of available spaces for linear segments in DMC-21x2/21x3 sequence buffer. Zero means buffer full. 512 means buffer empty.
LI a,b,c,d,e,f,g,h < n	Specify incremental distances relative to current position, and assign vector speed n.
VS n	Specify vector speed
VA n	Specify vector acceleration
VD n	Specify vector deceleration
VR n	Specify the vector speed ratio
BGS	Begin Linear Sequence
CS	Clear sequence
LE	Linear End- Required at end of LI command sequence
LE?	Returns the length of the vector (resets after 2147483647)
AMS	Trippoint for After Sequence complete
AV n	Trippoint for After Relative Vector distance, n
VT	S curve smoothing constant for vector moves

## Operand Summary - Linear Interpolation

OPERAND	DESCRIPTION
_AV	Return distance traveled
_CS	Segment counter - returns number of the segment in the sequence, starting at zero.
_LE	Returns length of vector (resets after 2147483647)
_LM	Returns number of available spaces for linear segments in DMC-21x2/21x3 sequence buffer. Zero means buffer full. 512 means buffer empty.
_VPm	Return the absolute coordinate of the last data point along the trajectory. (m= A,B,C,D,E,F,G or H)

To illustrate the ability to interrogate the motion status consider the first motion segment of our example, #LMOVE, where the A axis moves toward the point A=5000. Suppose that when A=3000, the controller is interrogated using the command 'MG \_AV'. The returned value will be 3000. The value of \_CS, \_VPA and \_VPB will be zero.

Now suppose that the interrogation is repeated at the second segment when B=2000. The value of \_AV at this point is 7000, \_CS equals 1, \_VPA=5000 and \_VPB=0.

## Example

### *Linear Interpolation Motion*

In this example, the AB system is required to perform a 90° turn. In order to slow the speed around the corner, we use the AV 4000 trippoint, which slows the speed to 1000 count/s. Once the motors reach the corner, the speed is increased back to 4000 cts / s.

<b>Instruction</b>	<b>Interpretation</b>
#LMOVE	Label
DP 0,0	Define position of A and B axes to be 0
LMAB	Define linear mode between A and B axes.
LI 5000,0	Specify first linear segment
LI 0,5000	Specify second linear segment
LE	End linear segments
VS 4000	Specify vector speed
BGS	Begin motion sequence
AV 4000	Set trippoint to wait until vector distance of 4000 is reached
VS 1000	Change vector speed
AV 5000	Set trippoint to wait until vector distance of 5000 is reached
VS 4000	Change vector speed
EN	Program end

### ***Linear Move***

Make a coordinated linear move in the CD plane. Move to coordinates 40000,30000 counts at a vector speed of 100000 counts/sec and vector acceleration of 1000000 counts/sec<sup>2</sup>.

<b>Instruction</b>	<b>Interpretation</b>
LM CD	Specify axes for linear interpolation
LI,,40000,30000	Specify CD distances
LE	Specify end move
VS 100000	Specify vector speed
VA 1000000	Specify vector acceleration
VD 1000000	Specify vector deceleration
BGS	Begin sequence

Note that the above program specifies the vector speed, VS, and not the actual axis speeds VC and VD. The axis speeds are determined by the DMC-21x2/21x3 from:

$$VS = \sqrt{VC^2 + VD^2}$$

The resulting profile is shown in Figure 6.2.

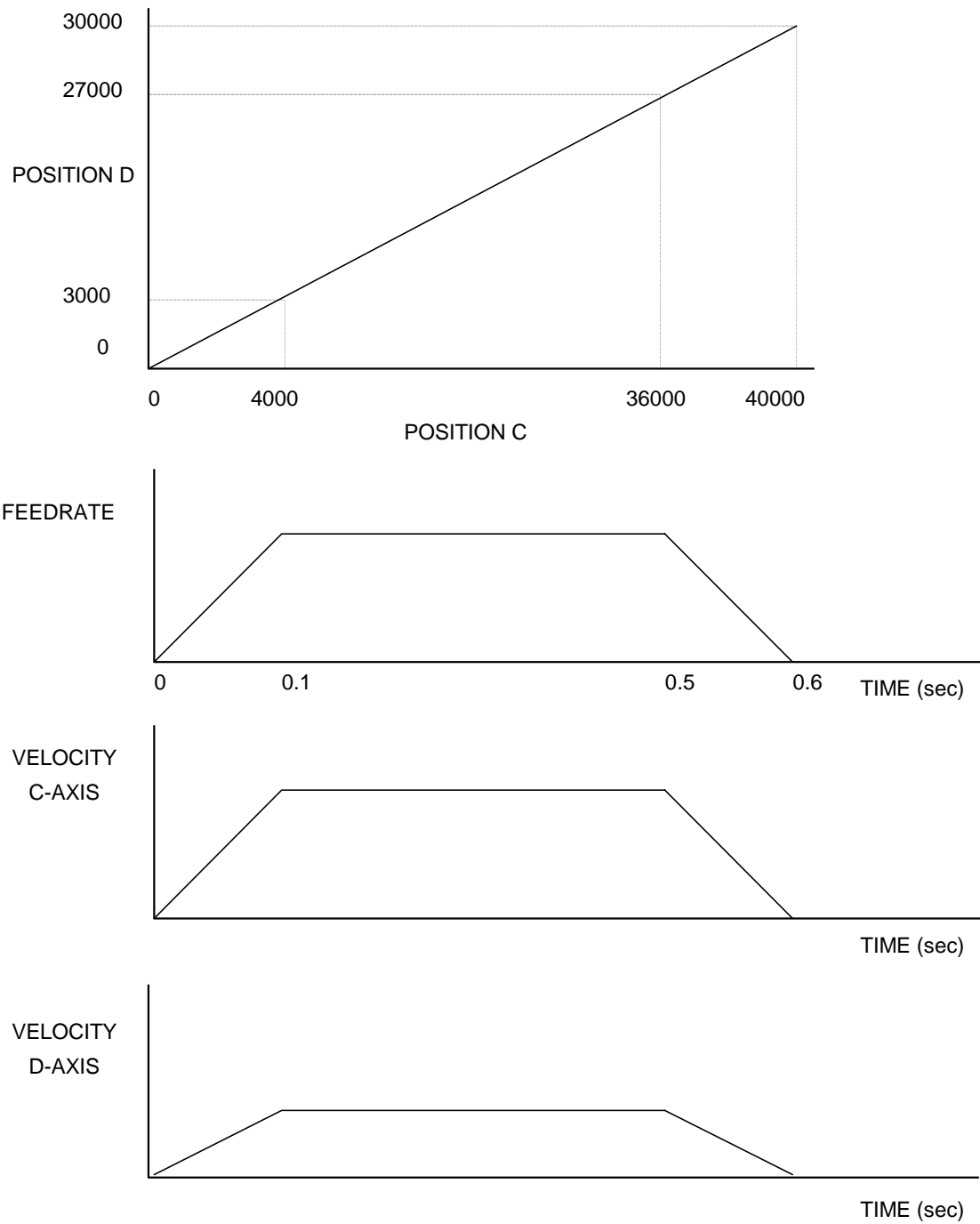


Figure 6.2 - Linear Interpolation

## Multiple Moves

This example makes a coordinated linear move in the AB plane. The Arrays VA and VB are used to store 750 incremental distances which are filled by the program #LOAD.

Instruction	Interpretation
#LOAD	Load Program
DM VA[750],VB[750]	Define Array
count=0	Initialize Counter
n=10	Initialize position increment
#LOOP	LOOP
VA[count]=n	Fill Array VA
VB[count]=n	Fill Array VB
n=n+10	Increment position
count = count +1	Increment counter
JP #LOOP, count <750	Loop if array not full
#A	Label
LM AB	Specify linear mode for AB
count =0	Initialize array counter
#LOOP2;JP#LOOP2,_LM=0	If sequence buffer full, wait
JS#C, count =500	Begin motion on 500th segment
LI VA[count],VB[count]	Specify linear segment
count = count +1	Increment array counter
JP #LOOP2, count <750	Repeat until array done
LE	End Linear Move
AMS	After Move sequence done
MG "DONE"	Send Message
EN	End program
#C;BGS;EN	Begin Motion Subroutine

---

## Vector Mode: Linear and Circular Interpolation Motion

The DMC-21x2/21x3 allows a long 2-D path consisting of linear and arc segments to be prescribed. Motion along the path is continuous at the prescribed vector speed even at transitions between linear and circular segments. The DMC-21x2/21x3 performs all the complex computations of linear and circular interpolation, freeing the host PC from this time intensive task.

The coordinated motion mode is similar to the linear interpolation mode. Any pair of two axes may be selected for coordinated motion consisting of linear and circular segments. In addition, a third axis can be controlled such that it remains tangent to the motion of the selected pair of axes. Note that only one pair of axes can be specified for coordinated motion at any given time.

The command VM m,n,p where 'm' and 'n' are the coordinated pair and p is the tangent axis.

**NOTE:** the commas which separate m,n and p are not necessary. For example, VM ABC selects the AB axes for coordinated motion and the C-axis as the tangent.

### Specifying the Coordinate Plane

The DMC-21x2/21x3 allows for 2 separate sets of coordinate axes for linear interpolation mode or vector mode. These two sets are identified by the letters S and T.

To specify vector commands the coordinate plane must first be identified. This is done by issuing the command CAS to identify the S plane or CAT to identify the T plane. All vector commands will be applied to the active coordinate system until changed with the CA command.

## Specifying Vector Segments

The motion segments are described by two commands; VP for linear segments and CR for circular segments. Once a set of linear segments and/or circular segments have been specified, the sequence is ended with the command VE. This defines a sequence of commands for coordinated motion. Immediately prior to the execution of the first coordinated movement, the controller defines the current position to be zero for all movements in a sequence.

**NOTE:** This ‘local’ definition of zero does not affect the absolute coordinate system or subsequent coordinated motion sequences.

The command, VP xy specifies the coordinates of the end points of the vector movement with respect to the starting point. Non-sequential axes do not require comma delimitation. The command, CR r,q,d define a circular arc with a radius r, starting angle of q, and a traversed angle d. The notation for q is that zero corresponds to the positive horizontal direction, and for both q and d, the counter-clockwise (CCW) rotation is positive.

Up to 511 segments of CR or VP may be specified in a single sequence and must be ended with the command VE. The motion can be initiated with a Begin Sequence (BGS) command. Once motion starts, additional segments may be added.

The Clear Sequence (CS) command can be used to remove previous VP and CR commands which were stored in the buffer prior to the start of the motion. To stop the motion, use the instructions STS or AB1. ST stops motion at the specified deceleration. AB1 aborts the motion instantaneously.

The Vector End (VE) command must be used to specify the end of the coordinated motion. This command requires the controller to decelerate to a stop following the last motion requirement. If a VE command is not given, an Abort (AB1) must be used to abort the coordinated motion sequence.

It is the responsibility of the user to keep enough motion segments in the DMC-21x2/21x3 sequence buffer to ensure continuous motion. If the controller receives no additional motion segments and no VE command, the controller will stop motion instantly at the last vector. There will be no controlled deceleration. LM? or \_LM returns the available spaces for motion segments that can be sent to the buffer. 511 returned means the buffer is empty and 511 segments can be sent. A zero means the buffer is full and no additional segments can be sent. As long as the buffer is not full, additional segments can be sent at PC bus speeds.

The operand \_CS can be used to determine the value of the segment counter.

## Additional commands

The commands VS n, VA n and VD n are used for specifying the vector speed, acceleration, and deceleration.

VT is the S-curve smoothing constant used with coordinated motion.

### *Specifying Vector Speed for Each Segment:*

The vector speed may be specified by the immediate command VS. It can also be attached to a motion segment with the instructions

VP a,b < n > m

CR r,θ,δ < n > m



The first command, <n, is equivalent to commanding VS<sub>n</sub> at the start of the given segment and will cause an acceleration toward the new commanded speeds, subjects to the other constraints.

The second function, > m, requires the vector speed to reach the value m at the end of the segment. Note that the function > m may start the deceleration within the given segment or during previous segments, as needed to meet the final speed requirement, under the given values of VA and VD.

Note, however, that the controller works with one > m command at a time. As a consequence, one function may be masked by another. For example, if the function >100000 is followed by >5000, and the distance for deceleration is not sufficient, the second condition will not be met. The controller will attempt to lower the speed to 5000, but will reach that at a different point.

### ***Changing Feedrate:***

The command VR n allows the feedrate, VS, to be scaled between 0 and 10 with a resolution of .0001. This command takes effect immediately and causes VS scaled. VR also applies when the vector speed is specified with the '<' operator. This is a useful feature for feedrate override. VR does not ratio the accelerations. For example, VR .5 results in the specification VS 2000 to be divided by two.

### ***Compensating for Differences in Encoder Resolution:***

By default, the DMC-21x2/21x3 uses a scale factor of 1:1 for the encoder resolution when used in vector mode. If this is not the case, the command, ES can be used to scale the encoder counts. The ES command accepts two arguments which represent the number of counts for the two encoders used for vector motion. The smaller ratio of the two numbers will be multiplied by the higher resolution encoder. For more information, see ES command in the Command Summary.

### ***Trippoints:***

The AV n command is the After Vector trippoint, which waits for the vector relative distance of n to occur before executing the next command in a program.

### ***Tangent Motion:***

Several applications, such as cutting, require a third axis (i.e. a knife blade), to remain tangent to the coordinated motion path. To handle these applications, the DMC-21x2/21x3 allows one axis to be specified as the tangent axis. The VM command provides parameter specifications for describing the coordinated axes and the tangent axis.

VM m,n,p                      m,n specifies coordinated axes p specifies tangent axis such as A,B,C or D  
p=N turns off tangent axis

Before the tangent mode can operate, it is necessary to assign an axis via the VM command and define its offset and scale factor via the TN m,n command. m defines the scale factor in counts/degree and n defines the tangent position that equals zero degrees in the coordinated motion plane. The operand \_TN can be used to return the initial position of the tangent axis.

## **Command Summary - Coordinated Motion Sequence**

<b>Command</b>	<b>Description</b>
VM m,n,p	Specifies the axes for the planar motion where m and n represent the planar axes and p is the tangent axis.
VP m,n	Return coordinate of last point, where m=A,B,C or D.
CR r,Θ, ±ΔΘ	Specifies arc segment where r is the radius, Θ is the starting angle and ΔΘ is the travel angle. Positive direction is CCW.
VS n	Specify vector speed or feedrate of sequence.

VA n	Specify vector acceleration along the sequence.
VD n	Specify vector deceleration along the sequence.
VR n	Specify vector speed ratio
BGS	Begin motion sequence.
CS	Clear sequence.
AV n	Trippoint for After Relative Vector distance, n.
AMS	Holds execution of next command until Motion Sequence is complete.
TN m,n	Tangent scale and offset.
ES m,n	Ellipse scale factor.
VT	S-curve smoothing constant for coordinated moves
LM?	Return number of available spaces for linear and circular segments in DMC-21x2/21x3 sequence buffer. Zero means buffer is full. 512 means buffer is empty.

## Operand Summary - Coordinated Motion Sequence

operand	Description
_VPM	The absolute coordinate of the axes at the last intersection along the sequence.
_AV	Distance traveled.
_LM	Number of available spaces for linear and circular segments in DMC-21x2/21x3 sequence buffer. Zero means buffer is full. 512 means buffer is empty.
_CS	Segment counter - Number of the segment in the sequence, starting at zero.
_VE	Vector length of coordinated move sequence.

When AV is used as an operand, \_AV returns the distance traveled along the sequence.

The operands \_VPA and \_VPB can be used to return the coordinates of the last point specified along the path.

## Example

### *Tangent Axis*

Assume an AB table with the C-axis controlling a knife. The C-axis has a 2000 quad counts/rev encoder and has been initialized after power-up to point the knife in the +B direction. A 180° circular cut is desired, with a radius of 3000, center at the origin and a starting point at (3000,0). The motion is CCW, ending at (-3000,0). Note that the 0° position in the AB plane is in the +A direction. This corresponds to the position -500 in the Z-axis, and defines the offset. The motion has two parts. First, A, B and C are driven to the starting point, and later, the cut is performed. Assume that the knife is engaged with output bit 0.

#### Instruction

```
#EXAMPLE
VM ABC
TN 2000/360,-500
CR 3000,0,180
VE
CB0
```

#### Interpretation

```
Example program
AB coordinate with C as tangent
2000/360 counts/degree, position -500 is 0 degrees in AB plane
3000 count radius, start at 0 and go to 180 CCW
End vector
Disengage knife
```

PA 3000,0,_TN	Move A and B to starting position, move C to initial tangent position
BG ABC	Start the move to get into position
AM ABC	When the move is complete
SB0	Engage knife
WT50	Wait 50 msec for the knife to engage
BGS	Do the circular cut
AMS	After the coordinated move is complete
CB0	Disengage knife
MG "ALL DONE"	
EN	End program

### ***Coordinated Motion***

Traverse the path shown in Fig. 6.3. Feedrate is 20000 counts/sec. Plane of motion is AB

<b>Instruction</b>	<b>Interpretation</b>
VM AB	Specify motion plane
VS 20000	Specify vector speed
VA 1000000	Specify vector acceleration
VD 1000000	Specify vector deceleration
VP -4000,0	Segment AB
CR 1500,270,-180	Segment BC
VP 0,3000	Segment CD
CR 1500,90,-180	Segment DA
VE	End of sequence
BGS	Begin Sequence

The resulting motion starts at the point A and moves toward points B, C, D, A. Suppose that we interrogate the controller when the motion is halfway between the points A and B.

The value of `_AV` is 2000

The value of `_CS` is 0

`_VPA` and `_VPB` contain the absolute coordinate of the point A

Suppose that the interrogation is repeated at a point, halfway between the points C and D.

The value of `_AV` is  $4000+1500\pi+2000=10,712$

The value of `_CS` is 2

`_VPA`, `_VPB` contain the coordinates of the point C

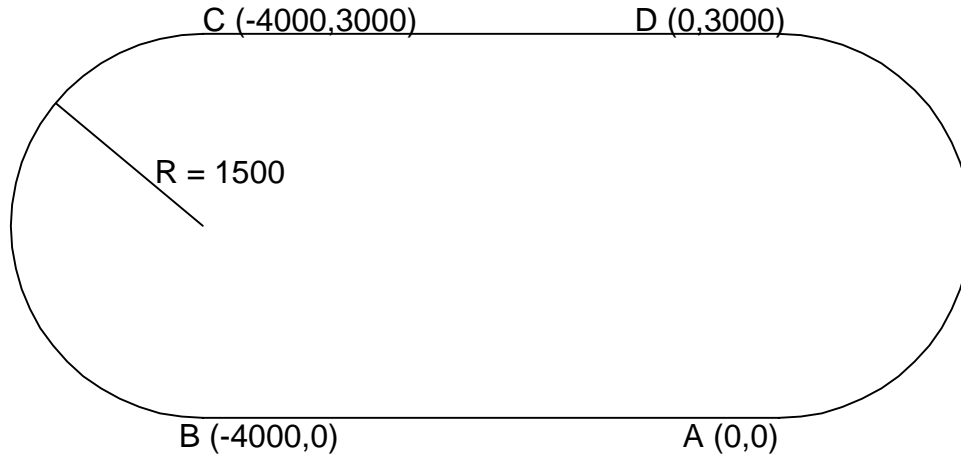


Figure 6.3 - The Required Path

---

## Electronic Gearing

This mode allows up to 8 axes to be electronically geared to some master axes. The masters may rotate in both directions and the geared axes will follow at the specified gear ratio. The gear ratio may be different for each axis and changed during motion.

The command GA ABCDEFGH specifies the master axes. GR a,b,c,d specifies the gear ratios for the slaves where the ratio may be a number between +/-127.9999 with a fractional resolution of .0001. There are two modes: standard gearing and gantry mode. The gantry mode is enabled with the command GM. GR 0,0,0,0 turns off gearing in both modes. A limit switch or ST command disable gearing in the standard mode but not in the gantry mode.

The command GM a,b,c,d select the axes to be controlled under the gantry mode. The parameter 1 enables gantry mode, and 0 disables it.

GR causes the specified axes to be geared to the actual position of the master. The master axis is commanded with motion commands such as PR, PA or JG.

When the master axis is driven by the controller in the jog mode or an independent motion mode, it is possible to define the master as the commanded position of that axis, rather than the actual position. The designation of the commanded position master is by the letter, C. For example, GACA indicates that the gearing is the commanded position of A.

An alternative gearing method is to synchronize the slave motor to the commanded vector motion of several axes performed by GAS. For example, if the A and B motor form a circular motion, the C axis may move in proportion to the vector move. Similarly, if A,B and C perform a linear interpolation move, W can be geared to the vector move.

Electronic gearing allows the geared motor to perform a second independent or coordinated move in addition to the gearing. For example, when a geared motor follows a master at a ratio of 1:1, it may be advanced an additional distance with PR, or JG, commands, or VP, or LI.

---

## Ramped Gearing

In some applications, especially when the master is traveling at high speeds, it is desirable to have the gear ratio ramp gradually to minimize large changes in velocity on the slave axis when the gearing is engaged. For example if the master axis is already traveling at 1,000,000 cts/sec and the slave will be geared at a ratio of 1:1 when the gearing is engaged, the slave will instantly develop following error,

and command maximum current to the motor. This can be a large shock to the system. For many applications it is acceptable to slowly ramp the engagement of gearing over a greater time frame. Galil allows the user to specify an interval of the master axis over which the gearing will be engaged. For example, the same master X axis in this case travels at 1,000,000 counts/sec, and the gear ratio is:1, but the gearing is slowly engaged over 30,000 cts of the master axis, greatly diminishing the initial shock to the slave axis. Figure 1 below shows the velocity vs. time profile for instantaneous gearing. Figure 2 shows the velocity vs. time profile for the gradual gearing engagement.

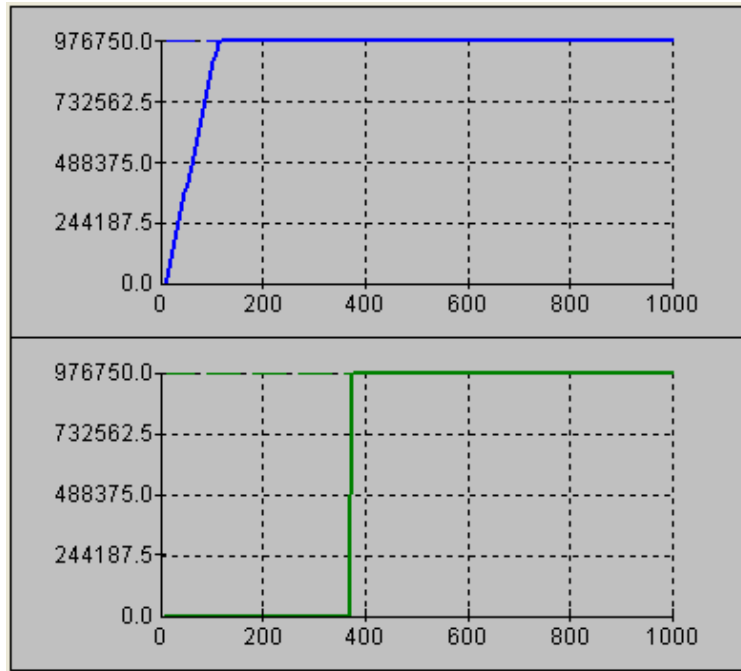


Figure 1 Velocity cts/sec vs. Time (msec) Instantaneous Gearing Engagement

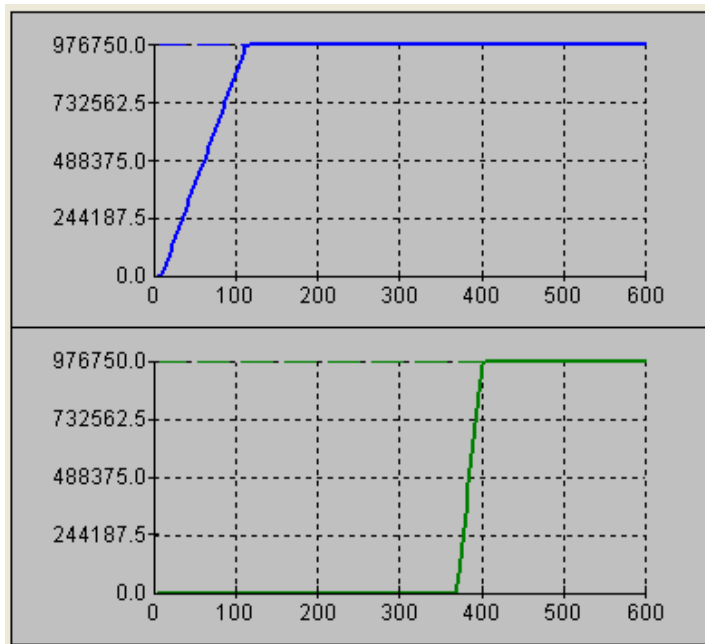


Figure 2 Velocity (cts/sec) vs. Time (msec) Ramped Gearing

The slave axis for each figure is shown in the bottom portion of the figure; the master axis is shown in the top portion. The shock to the slave axis will be significantly less in figure 2 than in figure 1. The ramped gearing does have one consequence. There isn't a true synchronization of the two axes, until the gearing ramp is complete. The slave will lag behind the true ratio during the ramp period. If exact position synchronization is required from the point gearing is initiated, then the position must be commanded in addition to the gearing. The controller keeps track of this position phase lag with the `_GP` operand. The following example will demonstrate how the command is used.

## Example – Electronic Gearing Over a Specified Interval

Objective Run two geared motors at speeds of 1.132 and -.045 times the speed of an external master. Because the master is traveling at high speeds, it is desirable for the speeds to change slowly.

Solution: Use a DMC-1730 or DMC-1830 controller where the Z-axis is the master and X and Y are the geared axes. We will implement the gearing change over 6000 counts (3 revolutions) of the master axis.

MO Z	Turn Z off, for external master
GA Z, Z	Specify Z as the master axis for both X and Y.
GD6000,6000	Specify ramped gearing over 6000 counts of the master axis.
GR 1.132,-.045	Specify gear ratios

Question: What is the effect of the ramped gearing?

Answer: In the next example titled *Electronic Gearing* gearing would take effect immediately. From the start of gearing if the master traveled 6000 counts, the slaves would travel 6792 counts and 270 counts.

Using the ramped gearing, the slave will engage gearing gradually. Since the gearing is engaged over the interval of 6000 counts of the master, the slave will only travel ~3396 counts and ~135 counts respectively. The difference between these two values is stored in the `_GPn` operand. If exact position synchronization is required, the IP command is used to adjust for the difference.

## Command Summary - Electronic Gearing

COMMAND	DESCRIPTION
GA n	Specifies master axes for gearing where: n = X,Y,Z or W or A,B,C,D,E,F,G,H for main encoder as master
	n = CX,CY,CZ, CW or CA, CB,CC,CD,CE,CF,CG,CH for commanded position.
	n = DX,DY,DZ or DW or DA, DB, DC, DD, DE, DF,DG,DH for auxiliary encoders
	n = S or T for gearing to coordinated motion.
GD a,b,c,d,e,f,g,h	Sets the distance the master will travel for the gearing change to take full effect.

_GPn	This operand keeps track of the difference between the theoretical distance traveled if gearing changes took effect immediately, and the distance traveled since gearing changes take effect over a specified interval.
GR a,b,c,d,e,f,g,h	Sets gear ratio for slave axes. 0 disables electronic gearing for specified axis.
GM a,b,c,d,e,f,g,h	X = 1 sets gantry mode, 0 disables gantry mode
MR x,y,z,w	Trippoint for reverse motion past specified value. Only one field may be used.
MF x,y,z,w	Trippoint for forward motion past specified value. Only one field may be used.

## Example

### *Simple Master Slave*

Master axis moves 10000 counts at slow speed of 100000 counts/sec. B is defined as the master. A,C,D are geared to master at ratios of 5,-.5 and 10 respectively.

Instruction	Interpretation
GA B,,B,B	Specify master axes as B
GR 5,,-.5,10	Set gear ratios
PR ,10000	Specify B position
SP ,100000	Specify B speed
BGB	Begin motion

### *Electronic Gearing*

Objective: Run two geared motors at speeds of 1.132 and -0.045 times the speed of an external master. The master is driven at speeds between 0 and 1800 RPM (2000 counts/rev encoder).

Solution: Use a DMC-2132 controller, where the C-axis is the master and A and B are the geared axes.

Instruction	Interpretation
MO C	Turn C off, for external master
GA C,C	Specify C as the master axis for both A and B.
GR 1.132,-.045	Specify gear ratios

Now suppose the gear ratio of the A-axis is to change on-the-fly to 2. This can be achieved by commanding:

GR 2	Specify gear ratio for A axis to be 2
------	---------------------------------------

### *Gantry Mode*

In applications where both the master and the follower are controlled by the DMC-21x2/21x3 controller, it may be desired to synchronize the follower with the commanded position of the master, rather than the actual position. This eliminates the coupling between the axes which may lead to oscillations.

For example, assume that a gantry is driven by two axes, A and B, on both sides. This requires the gantry mode for strong coupling between the motors. The A-axis is the master and the B-axis is the follower. To synchronize B with the commanded position of A, use the instructions:

Instruction	Interpretation
GA, CA	Specify the commanded position of A as master for B.

GR,1	Set gear ratio for Y as 1:1
GM,1	Set gantry mode
PR 3000	Command A motion
BG A	Start motion on A axis

You may also perform profiled position corrections in the electronic gearing mode. Suppose, for example, that you need to advance the slave 10 counts. Simply command

IP ,10 Specify an incremental position movement of 10 on B axis.

Under these conditions, this IP command is equivalent to:

PR,10 Specify position relative movement of 10 on B axis  
 BGB Begin motion on B axis

Often the correction is quite large. Such requirements are common when synchronizing cutting knives or conveyor belts.

### ***Synchronize two conveyor belts with trapezoidal velocity correction.***

<b>Instruction</b>	<b>Interpretation</b>
GA,A	Define A as the master axis for B.
GR,2	Set gear ratio 2:1 for B
PR,300	Specify correction distance
SP,5000	Specify correction speed
AC,100000	Specify correction acceleration
DC,100000	Specify correction deceleration
BGB	Start correction

## **Electronic Cam**

The electronic cam is a motion control mode which enables the periodic synchronization of several axes of motion. Up to 7 axes can be slaved to one master axis. The master axis encoder must be input through a main encoder port.

The electronic cam is a more general type of electronic gearing which allows a table-based relationship between the axes. It allows synchronizing all the controller axes. For example, the DMC-2182 controller may have one master and up to seven slaves.

To illustrate the procedure of setting the cam mode, consider the cam relationship for the slave axis B, when the master is A. Such a graphic relationship is shown in Figure 6.4.

### **Step 1.** Selecting the master axis

The first step in the electronic cam mode is to select the master axis. This is done with the instruction

EAp where  $p = A, B, C, D, E, F, G, H$

*p is the selected master axis*

For the given example, since the master is x, we specify EAA

### **Step 2.** Specify the master cycle and the change in the slave axis (es).

In the electronic cam mode, the position of the master is always expressed modulo one cycle. In this example, the position of x is always expressed in the range between 0 and 6000.

Similarly, the slave position is also redefined such that it starts at zero and ends at 1500. At the end of a cycle when the master is 6000 and the slave is 1500, the positions of both a and b



are redefined as zero. To specify the master cycle and the slave cycle change, we use the instruction EM.

EM a,b,c,d

where a,b,c,d specify the cycle of the master and the total change of the slaves over one cycle.

The cycle of the master is limited to 8,388,607 whereas the slave change per cycle is limited to 2,147,483,647. If the change is a negative number, the absolute value is specified. For the given example, the cycle of the master is 6000 counts and the change in the slave is 1500. Therefore, we use the instruction:

EM 6000,1500

**Step 3.** Specify the master interval and starting point.

Next we need to construct the ECAM table. The table is specified at uniform intervals of master positions. Up to 256 intervals are allowed. The size of the master interval and the starting point are specified by the instruction:

EP m,n

where m is the interval width in counts, and n is the starting point.

For the given example, we can specify the table by specifying the position at the master points of 0, 2000, 4000 and 6000. We can specify that by

EP 2000,0

**Step 4.** Specify the slave positions.

Next, we specify the slave positions with the instruction

ET[n]= a,b,c,d

where n indicates the order of the point.

The value, n, starts at zero and may go up to 256. The parameters A,B,C,D indicate the corresponding slave position. For this example, the table may be specified by

ET[0]=,0

ET[1]=,3000

ET[2]=,2250

ET[3]=,1500

This specifies the ECAM table.

**Step 5.** Enable the ECAM

To enable the ECAM mode, use the command

EB n

where n=1 enables ECAM mode and n=0 disables ECAM mode.

**Step 6.** Engage the slave motion

To engage the slave motion, use the instruction

EG a,b,c,d

where a,b,c,d are the master positions at which the corresponding slaves must be engaged.

If the value of any parameter is outside the range of one cycle, the cam engages immediately. When the cam is engaged, the slave position is redefined, modulo one cycle.

**Step 7.** Disengage the slave motion

To disengage the cam, use the command

EQ a,b,c,d

where a,b,c,d are the master positions at which the corresponding slave axes are disengaged.

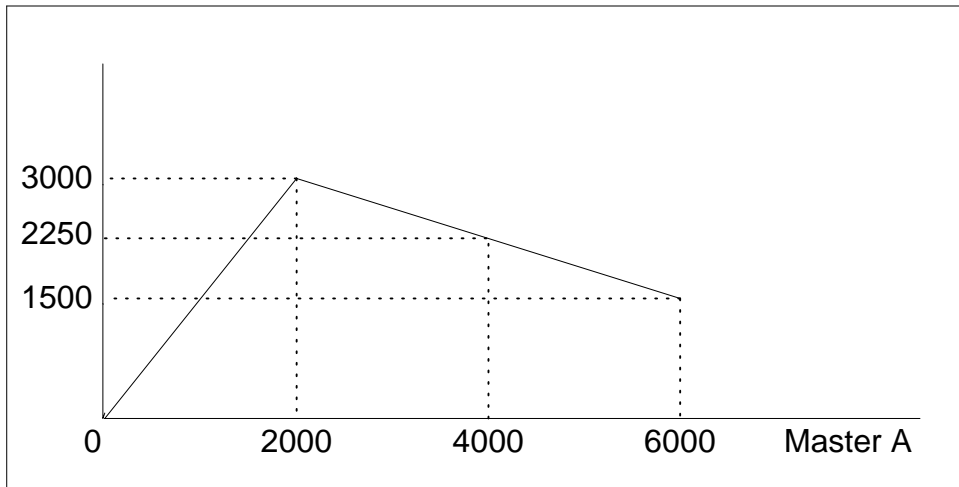


Figure 6.4 - Electronic Cam Example

This disengages the slave axis at a specified master position. If the parameter is outside the master cycle, the stopping is instantaneous.

**Step 8.** Create program to *generate* ECAM table

To illustrate the complete process, consider the cam relationship described by the equation:

$$B = 0.5 * A + 100 \sin (0.18 * A)$$

where A is the master, with a cycle of 2000 counts.

The cam table can be constructed manually, point by point, or automatically by a program. The following program includes the set-up. The instruction EAA defines A as the master axis. The cycle of the master is 2000. Over that cycle, B varies by 1000. This leads to the instruction EM 2000,1000.

Suppose we want to define a table with 100 segments. This implies increments of 20 counts each. If the master points are to start at zero, the required instruction is EP 20,0.

The following routine computes the table points. As the phase equals  $0.18A$  and A varies in increments of 20, the phase varies by increments of  $3.6^\circ$ . The program then computes the values of B according to the equation and assigns the values to the table with the instruction ET[N] = ,B.

<b>Instruction</b>	<b>Interpretation</b>
#SETUP	Label
EAA	Select A as master
EM 2000,1000	Cam cycles
EP 20,0	Master position increments
n = 0	Index
#LOOP	Loop to construct table from equation
p = n*3.6	Note 3.6 = 0.18*20
s = @SIN [P] *100	Define sine position
b = n *10+s	Define slave position
ET [n] =, b	Define table
n = n+1	Update Counter
JP #LOOP, n<=100	Repeat the process
EN	End Program

**Step 9.** Create program to *run* ECAM mode

Now suppose that the slave axis is engaged with a start signal, input 1, but that both the engagement and disengagement points must be done at the center of the cycle: A = 1000 and B = 500. This implies that B must be driven to that point to avoid a jump.

This is done with the program:

<b>Instruction</b>	<b>Interpretation</b>
#RUN	Label
EB1	Enable cam
PA,500	starting position
SP,5000	B speed
BGB	Move B motor
AM	After B moved
AI1	Wait for start signal
EG,1000	Engage slave
AI - 1	Wait for stop signal
EQ,1000	Disengage slave
EN	End

## Command Summary - Electronic CAM

Command	Description
EA p	Specifies master axes for electronic cam where:
EB n	Enables the ECAM
EC n	ECAM counter – sets the index into the ECAM table
EG a,b,c,d	Engages ECAM
EM a,b,c,d	Specifies the change in position for each axis of the CAM cycle
EP m,n	Defines CAM table entry size and offset
EQ m,n	Disengages ECAM at specified position
ET[n]	Defines the ECAM table entries
EW	Widen segment (see Application Note #2444)

## Operand Summary - Electronic CAM

command	Description
_EB	Contains State of ECAM
_EC	Contains current ECAM index
_EGa	Contains ECAM status for each axis
_EM	Contains size of cycle for each axis
_EP	Contains value of the ECAM table interval
_EQx	Contains ECAM status for each axis

## Example

### *Electronic CAM*

The following example illustrates a cam program with a master axis, C, and two slaves, A and B

Instruction	Interpretation
#A;vl=0	Label; Initialize variable
PA 0,0;BGAB;AMAB	Go to position 0,0 on A and B axes
EA C	C axis as the Master for ECAM
EM 0,0,4000	Change for C is 4000, zero for A, B
EP400,0	ECAM interval is 400 counts with zero start
ET[0]=0,0	When master is at 0 position; 1st point.
ET[1]=40,20	2 <sup>nd</sup> point in the ECAM table
ET[2]=120,60	3 <sup>rd</sup> point in the ECAM table
ET[3]=240,120	4 <sup>th</sup> point in the ECAM table
ET[4]=280,140	5 <sup>th</sup> point in the ECAM table
ET[5]=280,140	6 <sup>th</sup> point in the ECAM table
ET[6]=280,140	7 <sup>h</sup> point in the ECAM table
ET[7]=240,120	8 <sup>th</sup> point in the ECAM table
ET[8]=120,60	9 <sup>th</sup> point in the ECAM table
ET[9]=40,20	10 <sup>th</sup> point in the ECAM table
ET[10]=0,0	Starting point for next cycle
EB 1	Enable ECAM mode
JGC=4000	Set C to jog at 4000
EG 0,0	Engage both A and B when Master = 0
BGC	Begin jog on C axis
#LOOP;JP#LOOP,vl=0	Loop until the variable is set
EQ2000,2000	Disengage A and B when Master = 2000
MF,, 2000	Wait until the Master goes to 2000
ST C	Stop the C axis motion
EB 0	Exit the ECAM mode
EN	End of the program

The above example shows how the ECAM program is structured and how the commands can be given to the controller. The next page provides the results captured by the WSDK program. This shows how the motion will be seen during the ECAM cycles. The first graph is for the A axis, the second graph shows the cycle on the B axis and the third graph shows the cycle of the C axis.

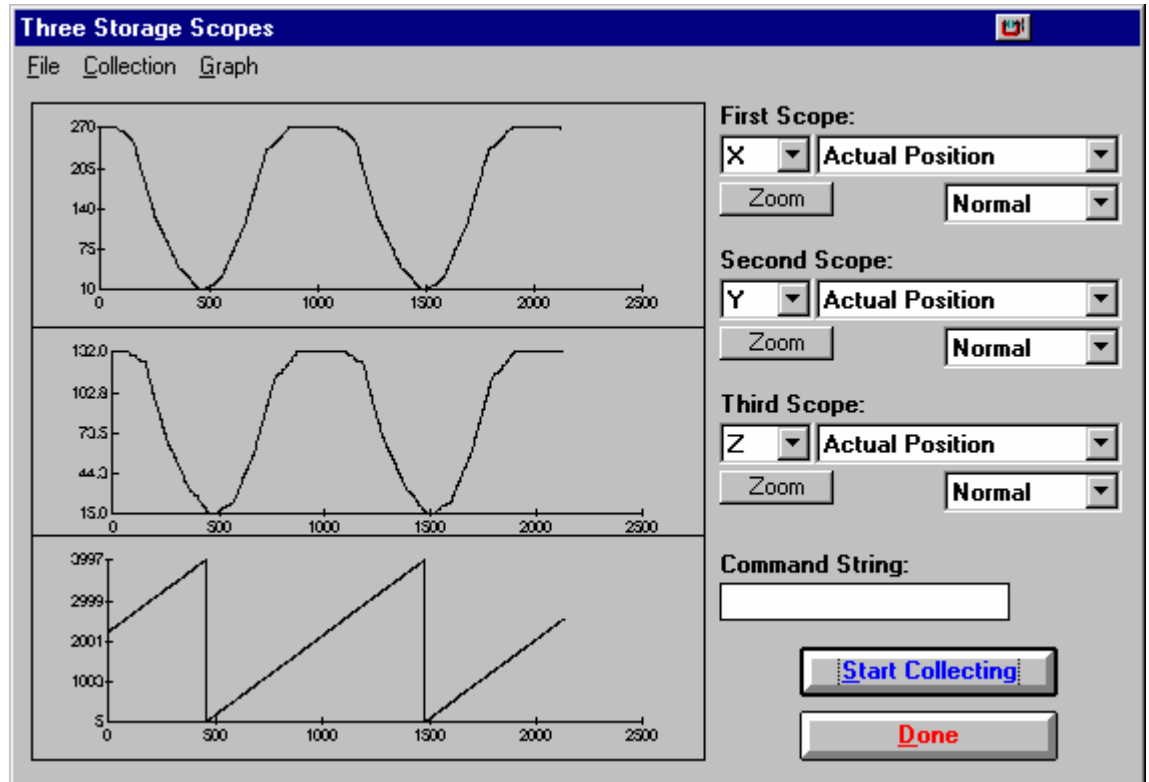


Figure 6.5 - Position Profiles of XYZ

## Contour Mode

The DMC-21x2/21x3 also provides a contouring mode. This mode allows any arbitrary position curve to be prescribed for 1 to 8 axes. This is ideal for following computer generated paths such as parabolic, spherical or user-defined profiles. The path is not limited to straight line and arc segments and the path length may be infinite.

### Specifying Contour Segments

The Contour Mode is specified with the command, CM. For example, CMAC specifies contouring on the A and C axes. Any axes that are not being used in the contouring mode may be operated in other modes.

A contour is described by position increments which are described with the command, CD a,b,c,d over a time interval, DT n. The parameter, n, specifies the time interval. The time interval is defined as  $2^n$  ms, where n is a number between 1 and 8. The controller performs linear interpolation between the specified increments, where one point is generated for each millisecond.

Consider, for example, the trajectory shown in Fig. 6.6. The position A may be described by the points:

Point 1	A=0 at T=0ms
Point 2	A=48 at T=4ms
Point 3	A=288 at T=12ms
Point 4	A=336 at T=28ms

The same trajectory may be represented by the increments

Increment 1	DA=48	Time=4	DT=2
Increment 2	DA=240	Time=8	DT=3
Increment 3	DA=48	Time=16	DT=4

When the controller receives the command to generate a trajectory along these points, it interpolates linearly between the points. The resulting interpolated points include the position 12 at 1 msec, position 24 at 2 msec, etc.

The programmed commands to specify the above example are:

Instruction	Interpretation
#A	Label
CMA	Specifies A axis for contour mode
DT 2	Specifies first time interval, 2 <sup>2</sup> ms
CD 48;WC	Specifies first position increment
DT 3	Specifies second time interval, 2 <sup>3</sup> ms
CD 240;WC	Specifies second position increment
DT 4	Specifies the third time interval, 2 <sup>4</sup> ms
CD 48;WC	Specifies the third position increment
DT0;CD0	Exits contour mode
EN	

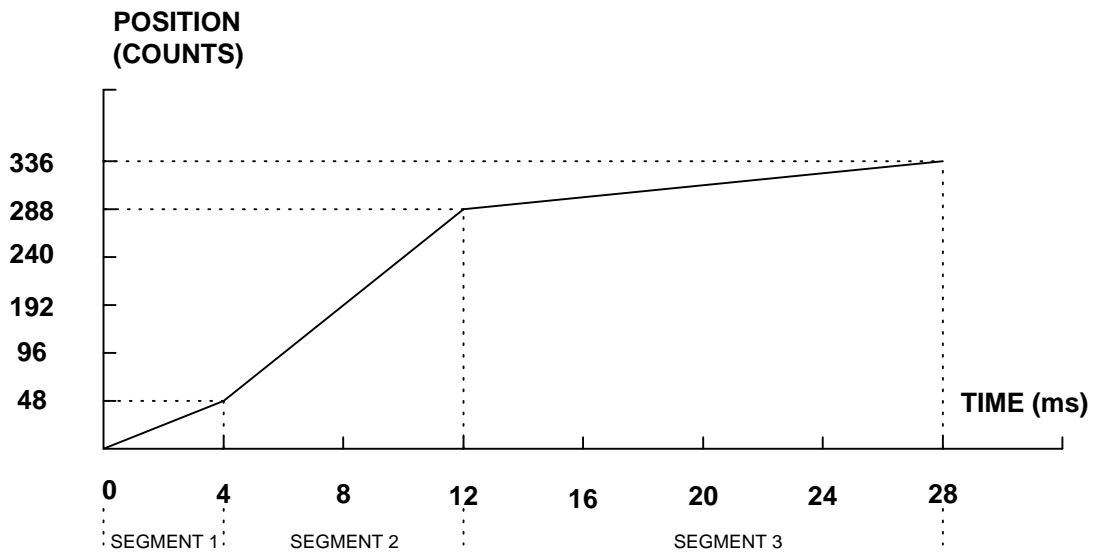


Figure 6.6 - The Required Trajectory

## Additional Commands

The command, WC, is used as a trippoint "Wait for Contour". This allows the DMC-21x2/21x3 to use the next increment only when it is finished with the previous one. Zero parameters for DT followed by zero parameters for CD exit the contour mode.

If no new data record is found and the controller is still in the contour mode, the controller waits for new data. No new motion commands are generated while waiting. If bad data is received, the controller responds with a ?.

## Command Summary - Contour Mode

COMMAND	DESCRIPTION
CM ABCDEFGH	Specifies which axes for contouring mode. Any non-contouring axes may be operated in other modes.
CD a,b,c,d,e,f,g,h	Specifies position increment over time interval. Range is +/-32,000. (Zero ends contour mode, when issued following DT0)
DT n	Specifies time interval $2^n$ msec for position increment, where n is an integer between 1 and 8. Zero ends contour mode. If n does not change, it does not need to be specified with each CD.
WC	Waits for previous time interval to be complete before next data record is processed.

## General Velocity Profiles

The Contour Mode is ideal for generating any arbitrary velocity profiles. The velocity profile can be specified as a mathematical function or as a collection of points.

The design includes two parts: Generating an array with data points and running the program.

## Example

### *Generating an Array*

Consider the velocity and position profiles shown in Fig. 6.7. The objective is to rotate a motor a distance of 6000 counts in 120 ms. The velocity profile is sinusoidal to reduce the jerk and the system vibration. If we describe the position displacement in terms of A counts in B milliseconds, we can describe the motion in the following manner:

$$\omega = \frac{A}{B}(1 - \cos(2\pi T / B))$$

$$X = \frac{AT}{B} - \frac{A}{2\pi} \sin(2\pi T / B)$$

**NOTE:**  $\omega$  is the angular velocity; A is the position; and T is the variable, time, in milliseconds.

In the given example, A=6000 and B=120, the position and velocity profiles are:

$$A = 50T - (6000/2\pi) \sin(2\pi T/120)$$

Note that the velocity,  $\omega$ , in count/ms, is

$$\omega = 50 [1 - \cos 2\pi T/120]$$

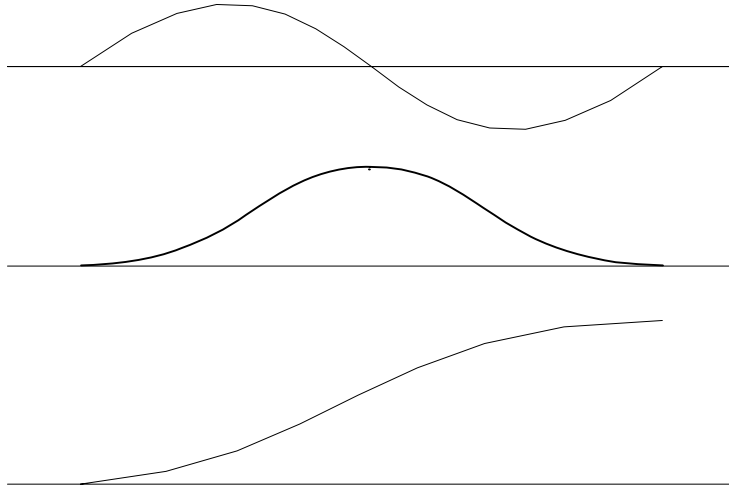


Figure 6.7 - Velocity Profile with Sinusoidal Acceleration

The DMC-21x2/21x3 can compute trigonometric functions. However, the argument must be expressed in degrees. Using our example, the equation for A is written as:

$$A = 50T - 955 \sin 3T$$

A complete program to generate the contour movement in this example is given below. To generate an array, we compute the position value at intervals of 8 ms. This is stored at the array **pos**. Then, the difference between the positions is computed and is stored in the array **dir**. Finally the motors are run in the contour mode.

### Contour Mode

<b>Instruction</b>	<b>Interpretation</b>
#POINTS	Program defines A points
DM pos[16]	Allocate memory
DM dir[15]	
c=0;d=0	Set initial conditions, C is index
t=0	T is time in ms
#A	
v1=50*T	
v2=3*T	Argument in degrees
v3=-955*@SIN[V2]+V1	Compute position
v4=@INT[V3]	Integer value of V3
pos[c]=v4	Store in array POS
t=t+8	
c=c+1	
JP #A,c<16	
#B	Program to find position differences
c=0	
#c	
d=c+1	
dir[c]=pos [d]- pos [c]	Compute the difference and store
c=c+1	



JP #c,c<15	
EN	End first program
#RUN	Program to run motor
CMA	Contour Mode
DT3	8 millisecond intervals
c=0	
#E	
CD dir[c]	Contour Distance is in dir
WC	Wait for completion
c=c+1	
JP #E,c<15	
DT0	
CD0	Stop Contour
EN	End the program

### ***Teach (Record and Play-Back)***

Several applications require teaching the machine a motion trajectory. Teaching can be accomplished using the DMC-21x2/21x3 automatic array capture feature to capture position data. The captured data may then be played back in the contour mode. The following array commands are used:

DM C[n]	Dimension array
RA C[]	Specify array for automatic record (up to 4 for DMC-2142)
RD _TPA	Specify data for capturing (such as _TPA or _TPC)
RC n,m	Specify capture time interval where n is 2 <sup>n</sup> samples, m is number of records to be captured
RC? or _RC	Returns a 1 if recording

### ***Record and Playback Example***

<b>Instruction</b>	<b>Interpretation</b>
#RECORD	Begin Program
DP0	Define position for A axis to be 0
DA*[ ]	De-allocate all arrays
DM xpos [501]	Dimension 501 element array called xpos
RA xpos [ ]	Record Elements into xpos array
RD _TPA	Element to be recorded is encoder position of A axis
MOA	Motor off for A axis
RC2	Begin Recording with a sample rate of 2 <sup>2</sup> msec
#LOOP1;JP#LOOP1,_RC=1	Loop until all elements have been recorded
#COMPUTE	Routine to determine the difference between consecutive points
DM dx [500]	Dimension a 500 element array to hold contour points
i = 0	Set loop counter
#LOOP2	Loop to calculate the difference
dx[i]= xpos [i+1]- xpos [i]	Calculate difference
i=i+1	Update loop counter
JP#LOOP2,i<500	Continue looping until dx is full
#PLAYBK	Routine to play back motion that was recorded

SHA	Servo Here
WT1000	Wait 1 sec (1000 msec)
CMA	Specify contour mode on A axis
DT2	Set contour data rate to be 2 <sup>2</sup> msec
i=0	Set array index to 0
#LOOP3	Subroutine to execute contour points
CD dx[i];WC	Contour data command; Wait for next contour point
i=i+1	Update index
JP#LOOP3,i<500	Continue until all array elements have been executed
DT0	Set contour update rate to 0
CD0	Disable the contour mode (combination of DT0 and CD0)
EN	End program

For additional information about automatic array capture, see Chapter 7, Arrays.

---

## Virtual Axis

The DMC-21x2/21x3 controller has an additional virtual axis designated as the N axis. This axis has no encoder and no DAC. However, it can be commanded by the commands:

AC, DC, JG, SP, PR, PA, BG, IT, GA, VM, VP, CR, ST, DP, RP, EA.

The main use of the virtual axis is to serve as a virtual master in ECAM modes, and to perform an unnecessary part of a vector mode. These applications are illustrated by the following examples.

### Ecaml master example

Suppose that the motion of the AB axes is constrained along a path that can be described by an electronic cam table. Further assume that the ecaml master is not an external encoder but has to be a controlled variable.

This can be achieved by defining the N axis as the master with the command EAN and setting the modulo of the master with a command such as EMN= 4000. Next, the table is constructed. To move the constrained axes, simply command the N axis in the jog mode or with the PR and PA commands.

For example,

PAN = 2000

BGN

will cause the AB axes to move to the corresponding points on the motion cycle.

### Sinusoidal Motion Example

The x axis must perform a sinusoidal motion of 10 cycles with an amplitude of 1000 counts and a frequency of 20 Hz.

This can be performed by commanding the A and N axes to perform circular motion. Note that the value of VS must be

$$VS = 2\pi * R * F$$

where R is the radius (amplitude) and F is the frequency in Hz.

Set VA and VD to maximum values for the fastest acceleration.

Instruction	Interpretation
VMAN	Select Axes
VA 68000000	Maximum Acceleration
VD 68000000	Maximum Deceleration
VS 125664	VS for 20 Hz
CR 1000, -90, 3600	Ten Cycles
VE	
BGS	

---

## Stepper Motor Operation

When configured for stepper motor operation, several commands are interpreted differently than from servo mode. The following describes operation with stepper motors.

### Specifying Stepper Motor Operation

In order to command stepper motor operation, the appropriate stepper mode jumpers must be installed. See chapter 2 for this installation.

Stepper motor operation is specified by the command MT. The argument for MT is as follows:

2	specifies a stepper motor with active low step output pulses
-2	specifies a stepper motor with active high step output pulses
2.5	specifies a stepper motor with active low step output pulses and reversed direction
-2.5	specifies a stepper motor with active high step output pulse and reversed direction

### Stepper Motor Smoothing

The command, KS, provides stepper motor smoothing. The effect of the smoothing can be thought of as a simple Resistor-Capacitor (single pole) filter. The filter occurs after the motion profiler and has the effect of smoothing out the spacing of pulses for a more smooth operation of the stepper motor. Use of KS is most applicable when operating in full step or half step operation. KS will cause the step pulses to be delayed in accordance with the time constant specified.

When operating with stepper motors, you will always have some amount of stepper motor smoothing, KS. Since this filtering effect occurs after the profiler, the profiler may be ready for additional moves before all of the step pulses have gone through the filter. It is important to consider this effect since steps may be lost if the controller is commanded to generate an additional move before the previous move has been completed. See the discussion below, *Monitoring Generated Pulses vs Commanded Pulses*.

The general motion smoothing command, IT, can also be used. The purpose of the command, IT, is to smooth out the motion profile and decrease 'jerk' due to acceleration.

### Monitoring Generated Pulses vs Commanded Pulses

For proper controller operation, it is necessary to make sure that the controller has completed generating all step pulses before making additional moves. This is most particularly important if you are moving back and forth. For example, when operating with servo motors, the trippoint AM (After Motion) is used to determine when the motion profiler is complete and is prepared to execute a new motion command. However when operating in stepper mode, the controller may still be generating step pulses when the motion profiler is complete. This is caused by the stepper motor smoothing filter, KS. To understand this, consider the steps the controller executes to generate step pulses:

First, the controller generates a motion profile in accordance with the motion commands.

Second, the profiler generates pulses as prescribed by the motion profile. The pulses that are generated by the motion profiler can be monitored by the command, RP (Reference Position). RP gives the absolute value of the position as determined by the motion profiler. The command, DP, can be used to set the value of the reference position. For example, DP 0, defines the reference position of the A axis to be zero.

Third, the output of the motion profiler is filtered by the stepper smoothing filter. This filter adds a delay in the output of the stepper motor pulses. The amount of delay depends on the parameter which is specified by the command, KS. As mentioned earlier, there will always be some amount of stepper motor smoothing. The default value for KS is 1.313 which corresponds to a time constant of 3.939 sample periods.

Fourth, the output of the stepper smoothing filter is buffered and is available for input to the stepper motor driver. The pulses which are generated by the smoothing filter can be monitored by the command, TD (Tell Dual). TD gives the absolute value of the position as determined by actual output of the buffer. The command, DP sets the value of the step count register as well as the value of the reference position. For example, DP 0 defines the reference position of the A axis to be zero.

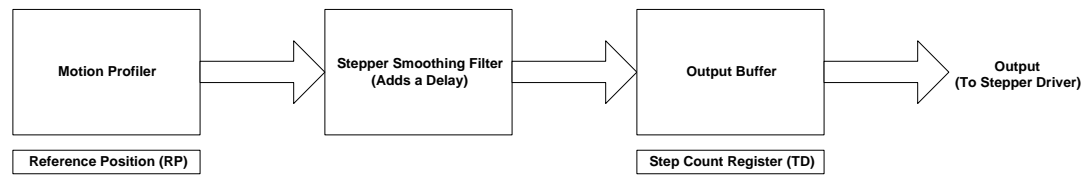


Figure 6.8 – Step Motor Pulse Output

## Motion Complete Trippoint

When used in stepper mode, the MC command will hold up execution of the proceeding commands until the controller has generated the same number of steps out of the step count register as specified in the commanded position. The MC trippoint (Motion Complete) is generally more useful than AM trippoint (After Motion) since the step pulses can be delayed from the commanded position due to stepper motor smoothing.

## Using an Encoder with Stepper Motors

An encoder may be used on a stepper motor to check the actual motor position with the commanded position. If an encoder is used, it must be connected to the main encoder input.

**NOTE:** The auxiliary encoder is not available while operating with stepper motors. The position of the encoder can be interrogated by using the command, TP. The position value can be defined by using the command, DE.

**NOTE:** Closed loop operation with a stepper motor is not possible.

## Command Summary - Stepper Motor Operation

command	Description
DE	Define Encoder Position (When using an encoder)
DP	Define Reference Position and Step Count Register
IT	Motion Profile Smoothing - Independent Time Constant
KS	Stepper Motor Smoothing

MT	Motor Type (2,-2,2.5 or -2.5 for stepper motors)
RP	Report Commanded Position
TD	Report number of step pulses generated by controller
TP	Tell Position of Encoder

## Operand Summary - Stepper Motor Operation

operand	Description
_DEa	Contains the value of the step count register for the 'a' axis
_DPa	Contains the value of the main encoder for the 'a' axis
_ITa	Contains the value of the Independent Time constant for the 'a' axis
_KSa	Contains the value of the Stepper Motor Smoothing Constant for the 'a' axis
_MTa	Contains the motor type value for the 'a' axis
_RPa	Contains the commanded position generated by the profiler for the 'a' axis
_TDa	Contains the value of the step count register for the 'a' axis
_TPa	Contains the value of the main encoder for the 'a' axis

---

## Stepper Position Maintenance Mode (SPM)

The Galil controller can be set into the Stepper Position Maintenance (SPM) mode to handle the event of stepper motor position error. The mode looks at position feedback from the main encoder and compares it to the commanded step pulses. The position information is used to determine if there is any significant difference between the commanded and the actual motor positions. If such error is detected, it is updated into a command value for operator use. In addition, the SPM mode can be used as a method to correct for friction at the end of a microstepping move. This capability provides closed-loop control at the application program level. SPM mode can be used with Galil and non-Galil step drives.

SPM mode is configured, executed, and managed with seven commands. This mode also utilizes the #POSERR automatic subroutine allowing for automatic user-defined handling of an error event.

### **Internal Controller Commands (user can query):**

QS Error Magnitude (pulses)

### **User Configurable Commands (user can query & change):**

OE Profiler Off-On Error

YA Step Drive Resolution (pulses / full motor step)

YB Step Motor Resolution (full motor steps / revolution)

YC Encoder Resolution (counts / revolution)

YR Error Correction (pulses)

YS Stepper Position Maintenance enable, status

A pulse is defined by the resolution of the step drive being used. Therefore, one pulse could be a full step, a half step or a microstep.

When a Galil controller is configured for step motor operation, the step pulse output by the controller is internally fed back to the auxiliary encoder register. For SPM the feedback encoder on the stepper will connect to the main encoder port. Enabling the SPM mode on a controller with YS=1 executes an internal monitoring of the auxiliary and main encoder registers for that axis or axes. Position error is then tracked in step pulses between these two registers (QS command).

$$QS = TD - \frac{TP \times YA \times YB}{YC}$$

Where TD is the auxiliary encoder register(step pulses) and TP is the main encoder register(feedback encoder). Additionally, YA defines the step drive resolution where YA = 1 for full stepping or YA = 2 for half stepping. The full range of YA is up to YA = 9999 for microstepping drives.

## Error Limit

The value of QS is internally monitored to determine if it exceeds a preset limit of three full motor steps. Once the value of QS exceeds this limit, the controller then performs the following actions:

1. The motion is maintained or is stopped, depending on the setting of the OE command. If OE=0 the axis stays in motion, if OE=1 the axis is stopped.
2. YS is set to 2, which causes the automatic subroutine labeled #POSERR to be executed.

## Correction

A correction move can be commanded by assigning the value of QS to the YR correction move command. The correction move is issued only after the axis has been stopped. After an error correction move has completed and QS is less than three full motor steps, the YS error status bit is automatically reset back to 1; indicating a cleared error.

### *Example: SPM Mode Setup*

The following code demonstrates what is necessary to set up SPM mode for a full step drive, a half step drive, and a 1/64<sup>th</sup> microstepping drive for an axis with a 1.8° step motor and 4000 count/rev encoder. Note the necessary difference is with the YA command.

#### Full-Stepping Drive, X axis:

```
#SETUP
OE1;           Set the profiler to stop axis upon error
KS16;         Set step smoothing
MT-2;         Motor type set to stepper
YA1;          Step resolution of the full-step drive
YB200;        Motor resolution (full steps per revolution)
YC4000;       Encoder resolution (counts per revolution)
SHX;          Enable axis
WT50;         Allow slight settle time
YS1;          Enable SPM mode
```

### **Half-Stepping Drive, X axis:**

```
#SETUP
OE1;           Set the profiler to stop axis upon error
KS16;         Set step smoothing
MT-2;         Motor type set to stepper
YA2;          Step resolution of the half-step drive
YB200;        Motor resolution (full steps per revolution)
YC4000;       Encoder resolution (counts per revolution)
SHX;          Enable axis
WT50;         Allow slight settle time
YS1;          Enable SPM mode
```

### **1/64<sup>th</sup> Step Microstepping Drive, X axis:**

```
#SETUP
OE1;           Set the profiler to stop axis upon error
KS16;         Set step smoothing
MT-2;         Motor type set to stepper
YA64;         Step resolution of the microstepping drive
YB200;        Motor resolution (full steps per revolution)
YC4000;       Encoder resolution (counts per revolution)
SHX;          Enable axis
WT50;         Allow slight settle time
YS1;          Enable SPM mode
```

### ***Example: Error Correction***

The following code demonstrates what is necessary to set up SPM mode for the X axis, detect error, stop the motor, correct the error, and return to the main code. The drive is a full step drive, with a 1.8° step motor and 4000 count/rev encoder.

```
#SETUP
OE1;           Set the profiler to stop axis upon error
KS16;         Set step smoothing
MT-2,-2,-2,-2; Motor type set to stepper
YA2;          Step resolution of the drive
YB200;        Motor resolution (full steps per revolution)
YC4000;       Encoder resolution (counts per revolution)
SHX;          Enable axis
WT100;        Allow slight settle time
```

#MOTION	Perform motion
SP512;	Set the speed
PR1000;	Prepare mode of motion
BGX;	Begin motion
#LOOP;JP#LOOP;	Keep thread zero alive for #POSERR to run in

REM When error occurs, the axis will stop due to OE1. In REM #POSERR, query the status YS and the error QS, correct, REM and return to the main code.

#POSERR;	Automatic subroutine is called when YS=2
WT100;	Wait helps user see the correction
spsave=_SPX;	Save current speed setting
JP#RETURN,_YSX<>2;	Return to thread zero if invalid error
SP64;	Set slow speed setting for correction
MG"ERROR="_,_QSX	
YRX=_QSX;	Else, error is valid, use QS for correction
MCX;	Wait for motion to complete
MG"CORRECTED, ERROR NOW="_,_QSX	
WT100;	Wait helps user see the correction
#RETURN	
SPX=spsave;	Return the speed to previous setting
REO;	Return from #POSERR

### ***Example: Friction Correction***

The following example illustrates how the SPM mode can be useful in correcting for X axis friction after each move when conducting a reciprocating motion. The drive is a 1/64<sup>th</sup> microstepping drive with a 1.8° step motor and 4000 count/rev encoder.

#SETUP;	Set the profiler to continue upon error
KS16;	Set step smoothing
MT-2,-2,-2,-2;	Motor type set to stepper
YA64;	Step resolution of the microstepping drive
YB200;	Motor resolution (full steps per revolution)
YC4000;	Encoder resolution (counts per revolution)
SHX;	Enable axis
WT50;	Allow slight settle time
YS1;	Enable SPM mode



#MOTION;	Perform motion
SP16384;	Set the speed
PR10000;	Prepare mode of motion
BGX;	Begin motion
MCX	
JS#CORRECT;	Move to correction
#MOTION2	
SP16384;	Set the speed
PR-10000;	Prepare mode of motion
BGX;	Begin motion
MCX	
JS#CORRECT;	Move to correction
JP#MOTION	
#CORRECT;	Correction code
spx=_SPX	
#LOOP;	Save speed value
SP2048;	Set a new slow correction speed
WT100;	Stabilize
JP#END,@ABS[_Q SX]<10;	End correction if error is within defined tolerance
YRX=_Q SX;	Correction move
MCX	
WT100;	Stabilize
JP#LOOP;	Keep correcting until error is within tolerance
#END;	End #CORRECT subroutine, returning to code
SPX=spx	
EN	

---

## Dual Loop (Auxiliary Encoder)

The DMC-21x2/21x3 provides an interface for a second encoder for each axis except for axes configured for stepper motor operation and axis used in circular compare. When used, the second encoder is typically mounted on the motor or the load, but may be mounted in any position. The most common use for the second encoder is backlash compensation, described below.

The second encoder may be a standard quadrature type, or it may provide pulse and direction. The controller also offers the provision for inverting the direction of the encoder rotation. The main and the auxiliary encoders are configured with the CE command. The command form is CE a,b,c,d (or a,b,c,d,e,f,g,h for controllers with more than 4 axes) where the parameters a,b,c,d each equal the sum of two integers m and n. m configures the main encoder and n configures the auxiliary encoder.

**NOTE:** This operation is not available for axes configured for stepper motors.

### Using the CE Command

<b>m=</b>	<b>Main Encoder</b>	<b>n=</b>	<b>Second Encoder</b>
0	Normal quadrature	0	Normal quadrature
1	Pulse & direction	4	Pulse & direction
2	Reverse quadrature	8	Reversed quadrature
3	Reverse pulse & direction	12	Reversed pulse & direction

For example, to configure the main encoder for reversed quadrature, m=2, and a second encoder of pulse and direction, n=4, the total is 6, and the command for the A axis is

CE 6

## Additional Commands for the Auxiliary Encoder

The command, DE a,b,c,d can be used to define the position of the auxiliary encoders. For example,

DE 0,500,-30,300

sets their initial values.

The positions of the auxiliary encoders may be interrogated with the command, DE?. For example

DE ?,?

returns the value of the A and C auxiliary encoders.

The auxiliary encoder position may be assigned to variables with the instructions

V1= \_DEA

The command, TD a,b,c,d, returns the current position of the auxiliary encoder.

The command, DV a,b,c,d, configures the auxiliary encoder to be used for backlash compensation.

## Backlash Compensation

There are two methods for backlash compensation using the auxiliary encoders:

1. Continuous dual loop
2. Sampled dual loop

To illustrate the problem, consider a situation in which the coupling between the motor and the load has a backlash. To compensate for the backlash, position encoders are mounted on both the motor and the load.

The continuous dual loop combines the two feedback signals to achieve stability. This method requires careful system tuning, and depends on the magnitude of the backlash. However, once successful, this method compensates for the backlash continuously.

The second method, the sampled dual loop, reads the load encoder only at the end point and performs a correction. This method is independent of the size of the backlash. However, it is effective only in point-to-point motion systems which require position accuracy only at the endpoint.

## Example

### *Continuous Dual Loop*

Connect the load encoder to the main encoder port and connect the motor encoder to the dual encoder port. The dual loop method splits the filter function between the two encoders. It applies the KP (proportional) and KI (integral) terms to the position error, based on the load encoder, and applies the KD (derivative) term to the motor encoder. This method results in a stable system.

The dual loop method is activated with the instruction DV (Dual Velocity), where

```
DV 1,1,1,1
```

activates the dual loop for the four axes and

```
DV 0,0,0,0
```

disables the dual loop.

Note that the dual loop compensation depends on the backlash magnitude, and in extreme cases will not stabilize the loop. The proposed compensation procedure is to start with KP=0, KI=0 and to maximize the value of KD under the condition DV1. Once KD is found, increase KP gradually to a maximum value, and finally, increase KI, if necessary.

### *Sampled Dual Loop*

In this example, we consider a linear slide which is run by a rotary motor via a lead screw. Since the lead screw has a backlash, it is necessary to use a linear encoder to monitor the position of the slide. For stability reasons, it is best to use a rotary encoder on the motor.

Connect the rotary encoder to the A-axis and connect the linear encoder to the auxiliary encoder of A. Assume that the required motion distance is one inch, and that this corresponds to 40,000 counts of the rotary encoder and 10,000 counts of the linear encoder.

The design approach is to drive the motor a distance, which corresponds to 40,000 rotary counts. Once the motion is complete, the controller monitors the position of the linear encoder and performs position corrections.

This is done by the following program.

<b>Instruction</b>	<b>Interpretation</b>
#DUALOOP	Label
CE 0	Configure encoder
DE0	Set initial value
PR 40000	Main move
BGA	Start motion
#CORRECT	Correction loop
AMA	Wait for motion completion
v1=10000-_DEA	Find linear encoder error
v2=-_TEA/4+v1	Compensate for motor error
JP#END,@ABS[v2]<2	Exit if error is small
PR v2*4	Correction move
BGA	Start correction
JP#CORRECT	Repeat
#END	
EN	

---

# Motion Smoothing

The DMC-21x2/21x3 controller allows the smoothing of the velocity profile to reduce the mechanical vibration of the system.

Trapezoidal velocity profiles have acceleration rates which change abruptly from zero to maximum value. The discontinuous acceleration results in jerk which causes vibration. The smoothing of the acceleration profile leads to a continuous acceleration profile and reduces the mechanical shock and vibration.

## Using the IT and VT Commands:



When operating with servo motors, motion smoothing can be accomplished with the IT and VT command. These commands filter the acceleration and deceleration functions to produce a smooth velocity profile. The resulting velocity profile, has continuous acceleration and results in reduced mechanical vibrations.

The smoothing function is specified by the following commands:

IT a,b,c,d	Independent time constant
VT n	Vector time constant

The command, IT, is used for smoothing independent moves of the type JG, PR, PA and the command, VT, is used to smooth vector moves of the type VM and LM.

The smoothing parameters, a,b,c,d and n are numbers between 0 and 1 and determine the degree of filtering. The maximum value of 1 implies no filtering, resulting in trapezoidal velocity profiles. Smaller values of the smoothing parameters imply heavier filtering and smoother moves.

The following example illustrates the effect of smoothing. Fig. 6.9 shows the trapezoidal velocity profile and the modified acceleration and velocity.

Note that the smoothing process results in longer motion time.

## Example

Instruction	Interpretation
PR 20000	Position
AC 100000	Acceleration
DC 100000	Deceleration
SP 5000	Speed
IT .5	Filter for smoothing
BG A	Begin

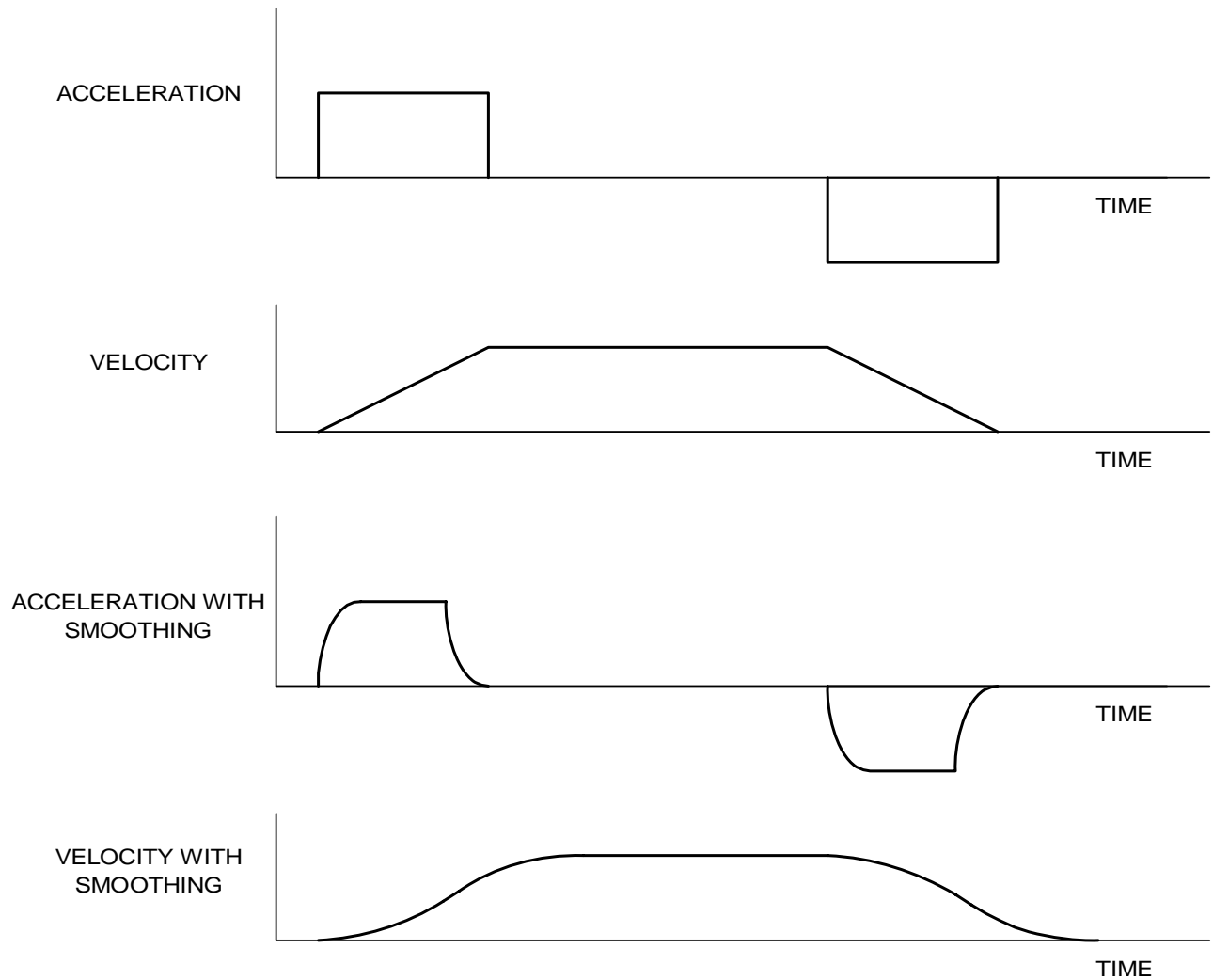


Figure 6.9 - Trapezoidal velocity and smooth velocity profiles

## Using the KS Command (Step Motor Smoothing):



When operating with step motors, motion smoothing can be accomplished with the command, KS. The KS command smoothes the frequency of step motor pulses. Similar to the commands, IT and VT, this produces a smooth velocity profile.

The step motor smoothing is specified by the following command:

KS a,b,c,d

where a,b,c,d is an integer from 0.5 to 8 and represents the amount of smoothing

The command, IT, is used for smoothing independent moves of the type JG, PR, PA and the command, VT, is used to smooth vector moves of the type VM and LM.

The smoothing parameters, a,b,c,d and n are numbers between 0.5 and 8 and determine the degree of filtering. The minimum value of 0.5 implies no filtering, resulting in trapezoidal velocity profiles. Larger values of the smoothing parameters imply heavier filtering and smoother moves.

Note that KS is valid only for step motors.

---

# Homing

The Find Edge (FE) and Home (HM) instructions may be used to home the motor to a mechanical reference. This reference is connected to the Home input line. The HM command initializes the motor to the encoder index pulse in addition to the Home input. The configure command (CN) is used to define the polarity of the home input.

The Find Edge (FE) instruction is useful for initializing the motor to a home switch. The home switch is connected to the Homing Input. When the Find Edge command and Begin is used, the motor will accelerate up to the slew speed and slew until a transition is detected on the Homing line. The motor will then decelerate to a stop. A high deceleration value must be input before the find edge command is issued for the motor to decelerate rapidly after sensing the home switch. The velocity profile generated is shown in Fig. 6.10.

The Home (HM) command can be used to position the motor on the index pulse after the home switch is detected. This allows for finer positioning on initialization. The command sequence HM and BG causes the following sequence of events to occur.

1. Upon begin, motor accelerates to the slew speed. The direction of its motion is determined by the state of the homing input. A zero (GND) will cause the motor to start in the forward direction; +5V will cause it to start in the reverse direction. The CN command is used to define the polarity of the home input.
2. Upon detecting the home switch changing state, the motor begins decelerating to a stop.
3. The motor then traverses very slowly back until the home switch toggles again.
4. The motor then traverses forward until the encoder index pulse is detected.
5. The DMC-21x2/21x3 defines the home position (0) as the position at which the index was detected.

## Example

<b>Instruction</b>	<b>Interpretation</b>
#HOME	Label
AC 1000000	Acceleration Rate
DC 1000000	Deceleration Rate
SP 5000	Speed for Home Search
HM A	Home A
BG A	Begin Motion
AM A	After Complete
MG "AT HOME"	Send Message
EN	End
#EDGE	Label
AC 2000000	Acceleration rate
DC 2000000	Deceleration rate
SP 8000	Speed
FE B	Find edge command
BG B	Begin motion
AM B	After complete
MG "FOUND HOME"	Send message
DP,0	Define position as 0
EN	End

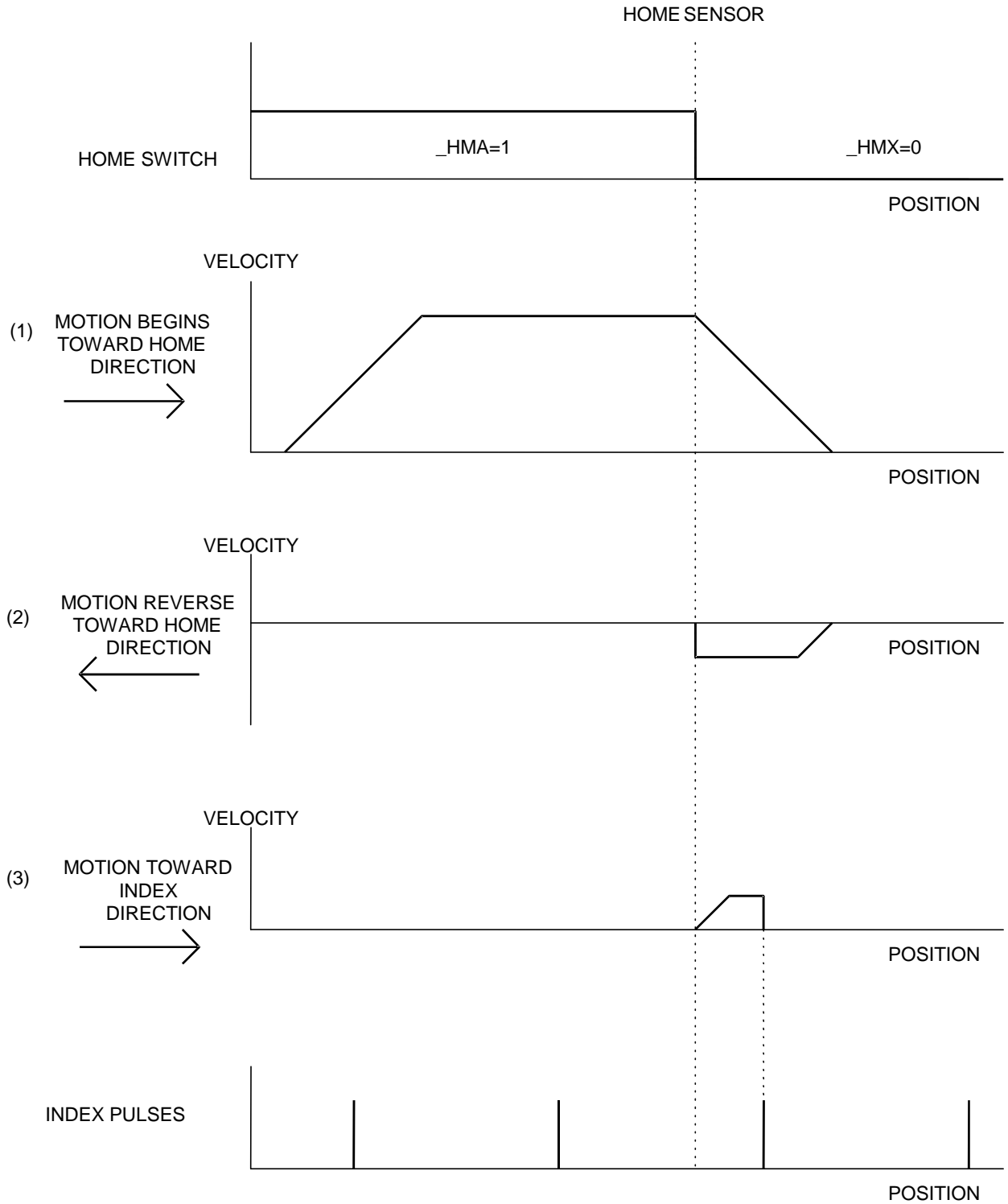


Figure 6.10 - Motion intervals in the Home sequence

## Command Summary - Homing Operation

command	Description
FE ABCD	Find Edge Routine. This routine monitors the Home Input
FI ABCD	Find Index Routine - This routine monitors the Index Input
HM ABCD	Home Routine - This routine combines FE and FI as Described Above
SC ABCD	Stop Code
TS ABCD	Tell Status of Switches and Inputs

## Operand Summary - Homing Operation

Operand	Description
_HMa	Contains the value of the state of the Home Input
_SCa	Contains stop code
_TSa	Contains status of switches and inputs

## High Speed Position Capture (The Latch Function)

Often it is desirable to capture the position precisely for registration applications. The DMC-21x2/21x3 provides a position latch feature. This feature allows the position of the main or auxiliary encoders of A,B,C or D to be captured when the latch input changes state. This function can be set up such that the position is captured when the latch input goes high or low. With the standard TTL inputs, the latch time is less than 1 microsecond. Optoisolation is available for the controller through the ICM-20105 or the ICM-20500. When the latch function is enabled for active low operation, the position will be captured within 12 microseconds. With optoisolation, when the latch function is enabled for active high operation, the position will be captured within 35 microseconds. Each axis has one general input associated to the axis for position capture:

Input	Function	Input	Function
IN[1]	A Axis Latch	IN[9]	E Axis Latch
IN[2]	B Axis Latch	IN[10]	F Axis Latch
IN[3]	C Axis Latch	IN[11]	G Axis Latch
IN[4]	D Axis Latch	IN[12]	H Axis Latch

The DMC-21x2/21x3 software commands, AL and RL, are used to arm the latch and report the latched position. The steps to use the latch are as follows:

1. Give the AL ABCD command to arm the latch for the main encoder and ALSASBSCSD for the auxiliary encoders.
2. Test to see if the latch has occurred (Input goes low) by using the \_AL A or B or C or D command. Example, V1=\_ALA returns the state of the A latch into V1. V1 is 1 if the latch has not occurred.
3. After the latch has occurred, read the captured position with the RL ABCD command or \_RL ABCD.

**NOTE:** The latch must be re-armed after each latching event.



## Example

### Instruction

```
#LATCH  
JG,5000  
BG B  
AL B  
#WAIT  
JP #WAIT,_ALB=1  
Result=_RLB  
Result=  
EN
```

### Interpretation

```
Latch program  
Jog B  
Begin motion on B axis  
Arm Latch for B axis  
#Wait label for loop  
Jump to #Wait label if latch has not occurred  
Set 'Result' equal to the reported position of y axis  
Print result  
End
```

**THIS PAGE LEFT BLANK INTENTIONALLY**

# Chapter 7 Application Programming

---

## Overview

The DMC-21x2/21x3 provides a powerful programming language that allows users to customize the controller for their particular application. Programs can be downloaded into the DMC-21x2/21x3 memory freeing the host computer for other tasks. However, the host computer can send commands to the controller at any time, even while a program is being executed. Only ASCII commands can be used for application programming.

In addition to standard motion commands, the DMC-21x2/21x3 provides commands that allow the DMC-21x2/21x3 to make its own decisions. These commands include conditional jumps, event triggers and subroutines. For example, the command JP#LOOP, n<10 causes a jump to the label #LOOP if the variable n is less than 10.

For greater programming flexibility, the DMC-21x2/21x3 provides user-defined variables, arrays and arithmetic functions. For example, with a cut-to-length operation, the length can be specified as a variable in a program which the operator can change as necessary.

The following sections in this chapter discuss all aspects of creating applications programs. The program memory size is 80 characters x 1000 lines.

---

## Using the DOS Editor to Enter Programs

The DMC-21x2/21x3 has an internal editor which may be used to create and edit programs in the controller's memory. The internal editor is opened by the command ED. Note that the command ED will not open the internal editor if issued from Galil's Window based software - in this case, a Windows based editor will be automatically opened. The Windows based editor provides much more functionality and ease-of-use, therefore, the internal editor is most useful when using a simple terminal with the controller and a Windows based editor is not available.

Once the ED command has been given, each program line is automatically numbered sequentially starting with 000. If no parameter follows the ED command, the editor prompter will default to the last line of the last program in memory. If desired, the user can edit a specific line number or label by specifying a line number or label following ED.

**NOTE:** ED command only accepts a parameter (such as #BEGIN) in DOS Window. For general purposes, the editing features in this section are not applicable when not in DOS mode.

Instruction	Interpretation
:ED	Puts Editor at end of last program
:ED 5	Puts Editor at line 5
:ED #BEGIN	Puts Editor at label #BEGIN

Line numbers appear as 000,001,002 and so on. Program commands are entered following the line numbers. Multiple commands may be given on a single line as long as the total number of characters doesn't exceed 80 characters per line.

While in the Edit Mode, the programmer has access to special instructions for saving, inserting and deleting program lines. These special instructions are listed below:

## Edit Mode Commands

<RETURN>

Typing the return key causes the current line of entered instructions to be saved. The editor will automatically advance to the next line. Thus, hitting a series of <RETURN> will cause the editor to advance a series of lines. Note, changes on a program line will not be saved unless a <return> is given.

<cntrl>P

The <cntrl>P command moves the editor to the previous line.

<cntrl>I

The <cntrl>I command inserts a line above the current line. For example, if the editor is at line number 2 and <cntrl>I is applied, a new line will be inserted between lines 1 and 2. This new line will be labelled line 2. The old line number 2 is renumbered as line 3.

<cntrl>D

The <cntrl>D command deletes the line currently being edited. For example, if the editor is at line number 2 and <cntrl>D is applied, line 2 will be deleted. The previous line number 3 is now renumbered as line number 2.

<cntrl>Q

The <cntrl>Q quits the editor mode. In response, the DMC-21x2/21x3 will return a colon.

After the Edit session is over, the user may list the entered program using the LS command. If no operand follows the LS command, the entire program will be listed. The user can start listing at a specific line or label using the operand n. A command and new line number or label following the start listing operand specifies the location at which listing is to stop.

## Example

Instruction	Interpretation
:LS	List entire program
:LS 5	Begin listing at line 5
:LS 5,9	List lines 5 thru 9
:LS #A,9	List line label #A thru line 9
:LS #A, #A +5	List line label #A and additional 5 lines

---

# Program Format

A DMC program consists of DMC-21x2/21x3 instructions combined to solve a machine control application. Action instructions, such as starting and stopping motion, are combined with Program Flow instructions to form the complete program. Program flow instructions evaluate real-time conditions, such as elapsed time or motion complete, and alter program flow accordingly.

Each DMC-21x2/21x3 instruction in a program must be separated by a delimiter. Valid delimiters are the semicolon (;) or carriage return. The semicolon is used to separate multiple instructions on a single program line where the maximum number of instructions on a line is limited by 80 characters. A carriage return enters the final command on a program line.

## Using Labels in Programs

All DMC-21x2/21x3 programs must begin with a label and end with an End (EN) statement. Labels start with the pound (#) sign followed by a maximum of seven characters. The first character must be a letter; after that, numbers are permitted. Spaces are not permitted.

Valid labels

```
#BEGIN
#SQUARE
#X1
#BEGIN1
```

Invalid labels

```
#1Square
#123
```

### *Example*

<b>Instruction</b>	<b>Interpretation</b>
#START	Beginning of the Program
PR 10000,20000	Specify relative distances on A and B axes
BG AB	Begin Motion
AM	Wait for motion complete
WT 2000	Wait 2 sec
JP #START	Jump to label START
EN	End of Program

The above program moves A and B 10000 and 20000 units. After the motion is complete, the motors rest for 2 seconds. The cycle repeats indefinitely until the stop command is issued.

## Special Labels

The DMC-21x2/21x3 has some special labels, which are used to define input interrupt subroutines, limit switch subroutines, error handling subroutines, and command error subroutines. See the section on Auto-Start Routine.

The DMC-21x2/21x3 has a special label for automatic program execution. A program which has been saved into the controller's non-volatile memory can be automatically executed upon power up or reset

by beginning the program with the label #AUTO. The program must be saved into non-volatile memory using the command, BP.

Automatic Subroutines for Monitoring Conditions on page 134.

#ININT	Label for Input Interrupt subroutine
#LIMSWI	Label for Limit Switch subroutine
#POSERR	Label for excess Position Error subroutine
#MCTIME	Label for timeout on Motion Complete trip point
#CMDERR	Label for incorrect command subroutine
#COMINT	Label for communication interrupt
#TCPERR	Label for TCP/IP communication error
#AMPERR	Label for Amplifier Error (21x3 w/AMP-20540 only)
#AUTOERR	Label for #AUTO Error

## Commenting Programs

There are two methods for commenting programs. The first method uses the NO command and allows for comments to be embedded into Galil programs. The second method used the REM statement and requires the use of Galil software.

### *NO Command*

The DMC-21x2/21x3 provides a command, NO, for commenting programs. This command allows the user to include up to 78 characters on a single line after the NO command and can be used to include comments from the programmer as in the following example:

<b>Instruction</b>	<b>Interpretation</b>
#PATH	Label
NO 2-D CIRCULAR PATH	Comment - No Operation
VMAB	Vector Mode
NO VECTOR MOTION ON A AND B	Comment - No Operation
VS 10000	Vector Speed
NO VECTOR SPEED IS 10000	Comment - No Operation
VP -4000,0	Vector Position
NO BOTTOM LINE	Comment - No Operation
CR 1500,270,-180	Circle Motion
NO HALF CIRCLE MOTION	Comment - No Operation
VP 0,3000	Vector Position
NO TOP LINE	Comment - No Operation
CR 1500,90,-180	Circle
NO HALF CIRCLE MOTION	Comment - No Operation
VE	Vector End
NO END VECTOR SEQUENCE	Comment - No Operation
BGS	Begin Sequence
NO BEGIN SEQUENCE MOTION	Comment - No Operation
EN	End of Program
NO END OF PROGRAM	Comment - No Operation

**NOTE:** The NO command is an actual controller command. Therefore, inclusion of the NO commands will require process time by the controller.

***HINT:** Some users annotate their programs using the word “NOTE” since everything after the “NO” is a comment. Likewise an apostrophe (‘) can be used instead of the NO command when commenting programs.*

## **REM Command**

If you are using Galil software to communicate with the DMC-21x2/21x3 controller, you may also include REM statements. ‘REM’ statements begin with the word ‘REM’ and may be followed by any comments which are on the same line. The Galil terminal software will remove these statements when the program is downloaded to the controller. For example:

```
#PATH
REM 2-D CIRCULAR PATH
VMAB
REM VECTOR MOTION ON A AND B
VS 10000
REM VECTOR SPEED IS 10000
VP -4000,0
REM BOTTOM LINE
CR 1500,270,-180
REM HALF CIRCLE MOTION
VP 0,3000
REM TOP LINE
CR 1500,90,-180
REM HALF CIRCLE MOTION
VE
REM END VECTOR SEQUENCE
BGS
REM BEGIN SEQUENCE MOTION
EN
REM END OF PROGRAM
```

---

## **Executing Programs - Multitasking**

The DMC-21x2/21x3 can run up to 8 independent programs simultaneously. These programs are called threads and are numbered 0 through 7, where 0 is the main thread. Multitasking is useful for executing independent operations such as PLC functions that occur independently of motion.

The main thread differs from the others in the following ways:

1. Only the main thread, thread 0, may use the input command, IN.
2. When automatic subroutines are implemented for limit switches, position errors or command errors, they are executed in thread 0.

To begin execution of the various programs, use the following instruction:

```
XQ #A, n
```

Where n indicates the thread number. To halt the execution of any thread, use the instruction

```
HX n
```

where n is the thread number.

Note that both the XQ and HX commands can be performed by an executing program.

The example below produces a waveform on Output 1 independent of a move.

<b>Instruction</b>	<b>Interpretation</b>
#TASK1	Task1 label
AT0	Initialize reference time
CB1	Clear Output 1
#LOOP1	Loop1 label
AT 10	Wait 10 msec from reference time
SB1	Set Output 1
AT -40	Wait 40 msec from reference, then initialize reference
CB1	Clear Output 1
JP #LOOP1	Repeat Loop1
#TASK2	Task2 label
XQ #TASK1,1	Execute Task1
#LOOP2	Loop2 label
PR 1000	Define relative distance
BGX	Begin motion
AMX	After motion done
WT 10	Wait 10 msec
JP #LOOP2,@IN[2]=1	Repeat motion unless Input 2 is low
HX	Halt all tasks

The program above is executed with the instruction XQ #TASK2,0 which designates TASK2 as the main thread (ie. Thread 0). #TASK1 is executed within TASK2.

---

## Debugging Programs

The DMC-21x2/21x3 provides commands and operands which are useful in debugging application programs. These commands include interrogation commands to monitor program execution, determine the state of the controller and the contents of the controllers program, array, and variable space. Operands also contain important status information which can help to debug a program.

### Trace Commands

The trace command causes the controller to send each line in a program to the host computer immediately prior to execution. Tracing is enabled with the command, TR1. TR0 turns the trace function off.

**NOTE:** When the trace function is enabled, the line numbers as well as the command line will be displayed as each command line is executed.

### Error Code Command

When there is a program error, the DMC-21x2/21x3 halts the program execution at the point where the error occurs. To display the last line number of program execution, issue the command, MG\_ED.

The user can obtain information about the type of error condition that occurred by using the command, TC1. This command reports back a number and a text message which describes the error condition. The command, TC0 or TC, will return the error code without the text message. For more information about the command, TC, see the Command Reference.



## Stop Code Command

The status of motion for each axis can be determined by using the stop code command, SC. This can be useful when motion on an axis has stopped unexpectedly. The command SC will return a number representing the motion status. See the command reference for further information.

## RAM Memory Interrogation Commands

For debugging the status of the program memory, array memory, or variable memory, the DMC-21x2/21x3 has several useful commands. The command, DM ?, will return the number of array elements currently available. The command, DA ?, will return the number of arrays which can be currently defined. For example, a standard DMC-2112 will have a maximum of 8000 array elements in up to 30 arrays. If an array of 100 elements is defined, the command DM ? will return the value 7900 and the command DA ? will return 29.

To list the contents of the variable space, use the interrogation command LV (List Variables). To list the contents of array space, use the interrogation command, LA (List Arrays). To list the contents of the Program space, use the interrogation command, LS (List). To list the application program labels only, use the interrogation command, LL (List Labels).

## Operands

In general, all operands provide information which may be useful in debugging an application program. Below is a list of operands which are particularly valuable for program debugging. To display the value of an operand, the message command may be used. For example, since the operand, \_ED contains the last line of program execution, the command MG \_ED will display this line number.

- \_ED contains the last line of program execution. Useful to determine where program stopped.
- \_DL contains the number of available labels.
- \_UL contains the number of available variables.
- \_DA contains the number of available arrays.
- \_DM contains the number of available array elements.
- \_AB contains the state of the Abort Input
- \_LFa contains the state of the forward limit switch for the 'a' axis
- \_LRa contains the state of the reverse limit switch for the 'a' axis
- \_RS contains the state of the power-up error status

## Example

The following program has an error. It attempts to specify a relative movement while the A-axis is already in motion. When the program is executed, the controller stops at line 003. The user can then query the controller using the command, TC1. The controller responds with the corresponding explanation:

Instruction	Interpretation
:ED	Edit Mode
000 #A	Program Label
001 PR1000	Position Relative 1000
002 BGA	Begin
003 PR5000	Position Relative 5000

004 EN	End
<cntrl> Q	Quit Edit Mode
:XQ #A	Execute #A
?003 PR5000	Error on Line 3
:TC1	Tell Error Code
?7 Command not valid while running.	Command not valid while running
:ED 3	Edit Line 3
003 AMX;PR5000;BGA	Add After Motion Done
<cntrl> Q	Quit Edit Mode
:XQ #A	Execute #A

---

## Program Flow Commands

The DMC-21x2/21x3 provides instructions to control program flow. The DMC-21x2/21x3 program sequencer normally executes program instructions sequentially. The program flow can be altered with the use of event triggers, trippoints, and conditional jump statements.

### Event Triggers & Trippoints

To function independently from the host computer, the DMC-21x2/21x3 can be programmed to make decisions based on the occurrence of an event. Such events include waiting for motion to be complete, waiting for a specified amount of time to elapse, or waiting for an input to change logic levels.

The DMC-21x2/21x3 provides several event triggers that cause the program sequencer to halt until the specified event occurs. Normally, a program is automatically executed sequentially one line at a time. When an event trigger instruction is decoded, however, the actual program sequence is halted. The program sequence does not continue until the event trigger is "tripped". For example, the motion complete trigger can be used to separate two move sequences in a program. The commands for the second move sequence will not be executed until the motion is complete on the first motion sequence. In this way, the DMC-21x2/21x3 can make decisions based on its own status or external events without intervention from a host computer.

## *DMC-21x2/21x3 Event Triggers*

<b>Command</b>	<b>Function</b>
AM A B C D E F G H or S	Halts program execution until motion is complete on the specified axes or motion sequence(s). AM with no parameter tests for motion complete on all axes. This command is useful for separating motion sequences in a program.
AD A or B or C or D or E or F or G or H	Halts program execution until position command has reached the specified relative distance from the start of the move. Only one axis may be specified at a time.
AR A or B or C or D or E or F or G or H	Halts program execution until after specified distance from the last AR or AD command has elapsed. Only one axis may be specified at a time.
AP A or B or C or D or E or F or G or H	Halts program execution until after absolute position occurs. Only one axis may be specified at a time.
MF A or B or C or D or E or F or G or H	Halt program execution until after forward motion reached absolute position. Only one axis may be specified. If position is already past the point, then MF will trip immediately. Will function on geared axis or aux. inputs.
MR A or B or C or D or E or F or G or H	Halt program execution until after reverse motion reached absolute position. Only one axis may be specified. If position is already past the point, then MR will trip immediately. Will function on geared axis or aux. inputs.
MC A or B or C or D or E or F or G or H	Halt program execution until after the motion profile has been completed and the encoder has entered or passed the specified position. TW A,B,C,D sets timeout to declare an error if not in position. If timeout occurs, then the trippoint will clear and the stopcode will be set to 99. An application program will jump to label #MCTIME.
AI +/- n	Halts program execution until after specified input is at specified logic level. n specifies input line. Positive is high logic level, negative is low level. n=1 through 8 for DMC-2112, 2122, 2132, 2142. n=1 through 17 for DMC-2152, 2162, 2172, 2182. n=17 through 56 for DMC-21x2 and DB-28040.
AS A B C D E F G H	Halts program execution until specified axis has reached its slew speed.
AT +/-n	Halts program execution until n msec from reference time. AT 0 sets reference. AT n waits n msec from reference. AT -n waits n msec from reference and sets new reference after elapsed time.
AV n	Halts program execution until specified distance along a coordinated path has occurred.
WT n	Halts program execution until specified time in msec has elapsed.

### ***Example- Multiple Move Sequence***

The AM trippoint is used to separate the two PR moves. If AM is not used, the controller returns a ? for the second PR command because a new PR cannot be given until motion is complete.

<b>Instruction</b>	<b>Interpretation</b>
#TWOMOVE	Label
PR 2000	Position Command
BGA	Begin Motion
AMA	Wait for Motion Complete
PR 4000	Next Position Move
BGA	Begin 2nd move
EN	End program

### ***Example- Set Output after Distance***

Set output bit 1 after a distance of 1000 counts from the start of the move. The accuracy of the trippoint is the speed multiplied by the sample period.

<b>Instruction</b>	<b>Interpretation</b>
#SETBIT	Label
SP 10000	Speed is 10000
PA 20000	Specify Absolute position
BGA	Begin motion
AD 1000	Wait until 1000 counts
SB1	Set output bit 1
EN	End program

### ***Example- Repetitive Position Trigger***

To set the output bit every 10000 counts during a move, the AR trippoint is used as shown in the next example.

<b>Instruction</b>	<b>Interpretation</b>
#TRIP	Label
JG 50000	Specify Jog Speed
BGA;n=0	Begin Motion
#REPEAT	# Repeat Loop
AR 10000	Wait 10000 counts
TPA	Tell Position
SB1	Set output 1
WT50	Wait 50 msec
CB1	Clear output 1
n=n+1	Increment counter
JP #REPEAT,n<5	Repeat 5 times
STA	Stop
EN	End

### ***Example- Start Motion on Input***

This example waits for input 1 to go low and then starts motion.

**NOTE:** The AI command actually halts execution of the program until the input occurs. If you do not want to halt the program sequences, you can use the Input Interrupt function (II) or use a conditional jump on an input, such as JP #GO,@IN[1] = -1.

<b>Instruction</b>	<b>Interpretation</b>
#INPUT	Program Label
AI-1	Wait for input 1 low
PR 10000	Position command
BGA	Begin motion
EN	End program

### ***Example - Set Output when At Speed***

<b>Instruction</b>	<b>Interpretation</b>
#ATSPEED	Program Label
JG 50000	Specify jog speed
AC 10000	Acceleration rate
BGA	Begin motion
ASA	Wait for at slew speed 50000
SB1	Set output 1
EN	End program

### ***Example - Change Speed along Vector Path***

The following program changes the feedrate or vector speed at the specified distance along the vector. The vector distance is measured from the start of the move or from the last AV command.

<b>Instruction</b>	<b>Interpretation</b>
#VECTOR	Label
VMAB;VS 5000	Coordinated path
VP 10000,20000	Vector position
VP 20000,30000	Vector position
VE	End vector
BGS	Begin sequence
AV 5000	After vector distance
VS 1000	Reduce speed
EN	End

### ***Example - Multiple Move with Wait***

This example makes multiple relative distance moves by waiting for each to be complete before executing new moves.

<b>Instruction</b>	<b>Interpretation</b>
#MOVES	Label
PR 12000	Distance
SP 20000	Speed
AC 100000	Acceleration
BGA	Start Motion
AD 10000	Wait a distance of 10,000 counts
SP 5000	New Speed
AMA	Wait until motion is completed
WT 200	Wait 200 ms
PR -10000	New Position
SP 30000	New Speed
AC 150000	New Acceleration
BGA	Start Motion
EN	End

### ***Example- Define Output Waveform Using AT***

The following program causes Output 1 to be high for 10 msec and low for 40 msec. The cycle repeats every 50 msec.

<b>Instruction</b>	<b>Interpretation</b>
#OUTPUT	Program label
AT0	Initialize time reference
SB1	Set Output 1
#LOOP	Loop
AT 10	After 10 msec from reference,
CB1	Clear Output 1
AT -40	Wait 40 msec from reference and reset reference
SB1	Set Output 1
JP #LOOP	Loop
EN	

## **Conditional Jumps**

The DMC-21x2/21x3 provides Conditional Jump (JP) and Conditional Jump to Subroutine (JS) instructions for branching to a new program location based on a specified condition. The conditional jump determines if a condition is satisfied and then branches to a new location or subroutine. Unlike event triggers, the conditional jump instruction does not halt the program sequence. Conditional jumps are useful for testing events in real-time. They allow the DMC-21x2/21x3 to make decisions without a host computer. For example, the DMC-21x2/21x3 can decide between two motion profiles based on the state of an input line.

## Command Format - JP and JS

FORMAT:	DESCRIPTION
JS destination, logical condition	Jump to subroutine if logical condition is satisfied
JP destination, logical condition	Jump to location if logical condition is satisfied

The destination is a program line number or label where the program sequencer will jump if the specified condition is satisfied. Note that the line number of the first line of program memory is 0. The comma designates "IF". The logical condition tests two operands with logical operators.

### Logical operators:

OPERATOR	DESCRIPTION
<	less than
>	greater than
=	equal to
<=	less than or equal to
>=	greater than or equal to
<>	not equal

### Conditional Statements

The conditional statement is satisfied if it evaluates to any value other than zero. The conditional statement can be any valid DMC-21x2/21x3 numeric operand, including variables, array elements, numeric values, functions, keywords, and arithmetic expressions. If no conditional statement is given, the jump will always occur.

Number	V1=6
Numeric Expression	V1=V7*6 @ABS[V1]>10
Array Element	V1<Count[2]
Variable	V1<V2
Internal Variable	_TPA=0 _TVA>500
I/O	V1>_TTX @IN[1]=0

### Multiple Conditional Statements

The DMC-21x2/21x3 will accept multiple conditions in a single jump statement. The conditional statements are combined in pairs using the operands "&" and "|". The "&" operand between any two conditions, requires that both statements must be true for the combined statement to be true. The "|" operand between any two conditions, requires that only one statement be true for the combined statement to be true.

**NOTE:** Each condition must be placed in parenthesis for proper evaluation by the controller. In addition, the DMC-21x2/21x3 executes operations from left to right. For further information on Mathematical Expressions and the bit-wise operators '&' and '|', see pg 150.

For example, using variables named V1, V2, V3 and V4:

JP #TEST, (V1<V2) & (V3<V4)

In this example, this statement will cause the program to jump to the label #TEST if V1 is less than V2 and V3 is less than V4. To illustrate this further, consider this same example with an additional condition:

JP #TEST, ((V1<V2) & (V3<V4)) | (V5<V6)

This statement will cause the program to jump to the label #TEST under two conditions; 1. If V1 is less than V2 and V3 is less than V4. OR 2. If V5 is less than V6.

## Examples

If the condition for the JP command is satisfied, the controller branches to the specified label or line number and continues executing commands from this point. If the condition is not satisfied, the controller continues to execute the next commands in sequence.

<b>Instruction</b>	<b>Interpretation</b>
JP #LOOP,count<10	Jump to #Loop if the variable, COUNT, is less than 10
JS #MOVE2,@IN[1]=1	Jump to subroutine #MOVE2 if input 1 is logic level high. After the subroutine MOVE2 is executed, the program sequencer returns to the main program location where the subroutine was called.
JP #BLUE,@ABS[v2]>2	Jump to #BLUE if the absolute value of variable, v2, is greater than 2
JP #C,v1*v7<=v8*v2	Jump to #C if the value of v1 times v7 is less than or equal to the value of V8*v2
JP#A	Jump to #A

Move the A motor to absolute position 1000 counts and back to zero ten times. Wait 100 msec between moves.

<b>Instruction</b>	<b>Interpretation</b>
#BEGIN	Begin Program
count=10	Initialize loop counter
#LOOP	Begin loop
PA 1000	Position absolute 1000
BGA	Begin move
AMA	Wait for motion complete
WT 100	Wait 100 msec
PA 0	Position absolute 0
BGA	Begin move
AMA	Wait for motion complete
WT 100	Wait 100 msec
count = count -1	Decrement loop counter
JP #LOOP, count >0	Test for 10 times thru loop
EN	End Program



## If, Else, and Endif

The DMC-21x2/21x3 provides a structured approach to conditional statements using IF, ELSE and ENDIF commands.

### *Using the IF and ENDIF Commands*

An IF conditional statement is formed by the combination of an IF and ENDIF command. The IF command has as its arguments one or more conditional statements. If the conditional statement(s) evaluates true, the command interpreter will continue executing commands which follow the IF command. If the conditional statement evaluates false, the controller will ignore commands until the associated ENDIF command is executed OR an ELSE command occurs in the program (see discussion of ELSE command below).

**NOTE:** An ENDIF command must always be executed for every IF command that has been executed. It is recommended that the user not include jump commands inside IF conditional statements since this causes re-direction of command execution. In this case, the command interpreter may not execute an ENDIF command.

### *Using the ELSE Command*

The ELSE command is an optional part of an IF conditional statement and allows for the execution of command only when the argument of the IF command evaluates False. The ELSE command must occur after an IF command and has no arguments. If the argument of the IF command evaluates false, the controller will skip commands until the ELSE command. If the argument for the IF command evaluates true, the controller will execute the commands between the IF and ELSE command.

### *Nesting IF Conditional Statements*

The DMC-21x2/21x3 allows for IF conditional statements to be included within other IF conditional statements. This technique is known as 'nesting' and the DMC-21x2/21x3 allows up to 255 IF conditional statements to be nested. This is a very powerful technique allowing the user to specify a variety of different cases for branching.

### *Command Format - IF, ELSE and ENDIF*

<b>Format:</b>	<b>description</b>
IF conditional statement(s)	Execute commands proceeding IF command (up to ELSE command) if conditional statement(s) is true, otherwise continue executing at ENDIF command or optional ELSE command.
ELSE	Optional command. Allows for commands to be executed when argument of IF command evaluates not true. Can only be used with IF command.
ENDIF	Command to end IF conditional statement. Program must have an ENDIF command for every IF command.

#### **Instruction**

#TEST  
IL,3  
MG "WAITING FOR INPUT 1, INPUT 2"  
#LOOP  
JP #LOOP

#### **Interpretation**

Begin Main Program "TEST"  
Enable interrupts on input 1 and input 2  
Output message  
Label to be used for endless loop  
Endless loop

EN	End of main program
#ININT	Input Interrupt Subroutine
IF (@IN[1]=0)	IF conditional statement based on input 1
IF (@IN[2]=0)	2 <sup>nd</sup> IF executed if 1 <sup>st</sup> IF conditional true
MG "INPUT 1 AND INPUT 2 ARE ACTIVE"	Message executed if 2 <sup>nd</sup> IF is true
ELSE	ELSE command for 2 <sup>nd</sup> IF statement
MG "ONLY INPUT 1 IS ACTIVE"	Message executed if 2 <sup>nd</sup> IF is false
ENDIF	End of 2 <sup>nd</sup> conditional statement
ELSE	ELSE command for 1 <sup>st</sup> IF statement
MG "ONLY INPUT 2 IS ACTIVE"	Message executed if 1 <sup>st</sup> IF statement
ENDIF	End of 1 <sup>st</sup> conditional statement
#WAIT	Label to be used for a loop
JP#WAIT,(@IN[1]=0)   (@IN[2]=0)	Loop until Input 1 & 2 are not active
RI0	End Input Interrupt Routine without restoring trippoints

## Subroutines

A subroutine is a group of instructions beginning with a label and ending with an end command (EN). Subroutines are called from the main program with the jump subroutine instruction JS, followed by a label or line number, and conditional statement. Up to 8 subroutines can be nested. After the subroutine is executed, the program sequencer returns to the program location where the subroutine was called unless the subroutine stack is manipulated as described in the following section.

An example of a subroutine to draw a square 500 counts per side is given below. The square is drawn at vector position 1000,1000.

Instruction	Interpretation
#M	Begin Main Program
CB1	Clear Output Bit 1 (pick up pen)
VP 1000,1000;LE;BGS	Define vector position; move pen
AMS	Wait for after motion trippoint
SB1	Set Output Bit 1 (put down pen)
JS #SQUARE;CB1	Jump to square subroutine
EN	End Main Program
# SQUARE	Square subroutine
v1=500;JS #L	Define length of side
v1=-v1;JS #L	Switch direction
EN	End subroutine
#L;PR v1,v1;BGA	Define A,B; Begin A
AMA;BGB;AMB	After motion on A, Begin B
EN	End subroutine

## Stack Manipulation

It is possible to manipulate the subroutine stack by using the ZS command. Every time a JS instruction, interrupt or automatic routine (such as #POSERR or #LIMSWI) is executed, the subroutine stack is incremented by 1. Normally the stack is restored with an EN instruction. Occasionally it is desirable not to return back to the program line where the subroutine or interrupt was called. The ZS1 command clears 1 level of the stack. This allows the program sequencer to continue to the next line. The ZS0 command resets the stack to its initial value. For example, if a limit occurs and the #LIMSWI

routine is executed, it is often desirable to restart the program sequence instead of returning to the location where the limit occurred. To do this, give a ZS command at the end of the #LIMSWI routine.

## Auto-Start Routine

The DMC-21x2/21x3 has a special label for automatic program execution. A program which has been saved into the controller's non-volatile memory can be automatically executed upon power up or reset by beginning the program with the label #AUTO. The program must be saved into non-volatile memory using the command, BP.

## Automatic Subroutines for Monitoring Conditions

Often it is desirable to monitor certain conditions continuously without tying up the host or DMC-21x2/21x3 program sequences. The DMC-21x2/21x3 can monitor several important conditions in the background. These conditions include checking for the occurrence of a limit switch, a defined input, position error, or a command error. Automatic monitoring is enabled by inserting a special, predefined label in the applications program. The pre-defined labels are:

SUBROUTINE	DESCRIPTION
#LIMSWI	Limit switch on any axis goes low
#ININT	Input specified by I1 goes low
#POSERR	Position error exceeds limit specified by ER
#MCTIME	Motion complete timeout occurred. Timeout period set by TW command
#COMINT	Communication interrupt
#CMDERR	Bad command given
#TCPERR	TCP/IP communication error
#AMPERR	Amplifier error
#AUTOERR	Error running #AUTO

For example, the #POSERR subroutine will automatically be executed when any axis exceeds its position error limit. The commands in the #POSERR subroutine could decode which axis is in error and take the appropriate action. In another example, the #ININT label could be used to designate an input interrupt subroutine. When the specified input occurs, the program will be executed automatically.

NOTE: An application program must be running for automatic monitoring to function.

### *Example - Limit Switch:*

This program prints a message upon the occurrence of a limit switch. Note, for the #LIMSWI routine to function, the DMC-21x2/21x3 must be executing an applications program from memory. This can be a very simple program that does nothing but loop on a statement, such as #LOOP;JP #LOOP;EN. Motion commands, such as JG 5000 can still be sent from the PC even while the "dummy" applications program is being executed.

Instruction	Interpretation
:ED	Edit Mode
000 #LOOP	Dummy Program
001 JP #LOOP;EN	Jump to Loop
002 #LIMSWI	Limit Switch Label
003 MG "LIMIT OCCURRED"	Print Message
004 RE	Return to main program

<control> Q	Quit Edit Mode
:XQ #LOOP	Execute Dummy Program
:JG 5000	Jog
:BGA	Begin Motion

Now, when a forward limit switch occurs on the A axis, the #LIMSWI subroutine will be executed

**Notes regarding the #LIMSWI Routine:**

- 1) The RE command is used to return from the #LIMSWI subroutine.
  - 2) The #LIMSWI subroutine will be re-executed if the limit switch remains active.
- The #LIMSWI routine is only executed when the motor is being commanded to move.

***Example - Position Error***

<b>Instruction</b>	<b>Interpretation</b>
:ED	Edit Mode
000 #LOOP	Dummy Program
001 JP #LOOP;EN	Loop
002 #POSERR	Position Error Routine
003 v1=_TEA	Read Position Error
004 MG "EXCESS POSITION ERROR"	Print Message
005 MG "ERROR=",v1=	Print Error
006 RE	Return from Error
<control> Q	Quit Edit Mode
:XQ #LOOP	Execute Dummy Program
:JG 100000	Jog at High Speed
:BGX	Begin Motion

Now, when position error exceeds error limit, ER, on the A axis, the #POSERR subroutine will be executed.

**Notes regarding the #POSERR Routine:**

- 1) The RE command is used to return from the #POSERR subroutine.

***Example - Input Interrupt***

<b>Instruction</b>	<b>Interpretation</b>
#A	Label
II1	Input Interrupt on 1
JG 30000,,,60000	Jog
BGAD	Begin Motion
#LOOP;JP#LOOP;EN	Loop
#ININT	Input Interrupt
STAD;AM	Stop Motion
#TEST;JP #TEST, @IN[1]=0	Test for Input 1 still low
JG 30000,,,6000	Restore Velocities
BGAD	Begin motion
RI0	Return from interrupt routine to Main Program and do not re-enable trippoints

### ***Example - Motion Complete Timeout***

<b>Instruction</b>	<b>Interpretation</b>
#BEGIN	Begin main program
TW 1000	Set the time out to 1000 ms
PA 10000	Position Absolute command
BGA	Begin motion
MCA	Motion Complete trip point
EN	End main program
#MCTIME	Motion Complete Subroutine
MG "A fell short"	Send out a message
EN	End subroutine

This simple program will issue the message "A fell short" if the A axis does not reach the commanded position within 1 second of the end of the profiled move.

### ***Example - Communication Interrupt***

A DMC-2113 is used to move the A axis back and forth from 0 to 10000. This motion can be paused, resumed and stopped via input from an auxiliary port terminal.

<b>Instruction</b>	<b>Interpretation</b>
#BEGIN	Label for beginning of program
CI 2,1	Set up communication interrupt for serial port on DMC-21x3
MG "Type 0 to stop motion"	Message out of serial port
MG "Type 1 to pause motion"	Message out of serial port
MG "Type 2 to resume motion"	Message out of serial port
rate=2000	Variable to remember speed
SPA=rate	Set speed of A axis motion
#LOOP	Label for Loop
PAA=10000	Move to absolute position 10000
BGA	Begin Motion on A axis
AMA	Wait for motion to be complete
PAA=0	Move to absolute position 0
BGA	Begin Motion on A axis
AMA	Wait for motion to be complete
JP #LOOP	Continually loop to make back and forth motion
EN	End main program
#COMINT	Interrupt Routine
JP #STOP,P1CH="0"	Check for S (stop motion)
JP #PAUSE,P1CH="1"	Check for P (pause motion)
JP #RESUME,P1CH="2"	Check for R (resume motion)
EN1,1	Do nothing
#STOP	Routine for stopping motion
STA;ZS;EN	Stop motion on A axis; Zero program stack; End Program
#PAUSE	Routine for pausing motion

rate=_SPA	Save current speed setting of A axis motion
SPA=0	Set speed of A axis to zero (allows for pause)
EN1,1	Re-enable trip-point and communication interrupt
#RESUME	Routine for resuming motion
SPA=rate	Set speed on A axis to original speed
EN1,1	Re-enable trip-point and communication interrupt

### ***Example - Command Error***

<b>Instruction</b>	<b>Interpretation</b>
#BEGIN	Begin main program
IN "ENTER SPEED", speed	Prompt for speed
JG speed;BGA;	Begin motion
JP #BEGIN	Repeat
EN	End main program
#CMDERR	Command error utility
JP#DONE,_ED<>2	Check if error on line 2
JP#DONE,_TC<>6	Check if out of range
MG "SPEED TOO HIGH"	Send message
MG "TRY AGAIN"	Send message
ZS1	Adjust stack
JP #BEGIN	Return to main program
#DONE	End program if other error
ZS0	Zero stack
EN	End program

The above program prompts the operator to enter a jog speed. If the operator enters a number out of range (greater than 8 million), the #CMDERR routine will be executed prompting the operator to enter a new number.

In multitasking applications, there is an alternate method for handling command errors from different threads. Using the XQ command along with the special operands described below allows the controller to either skip or retry invalid commands.

<b>OPERAND</b>	<b>FUNCTION</b>
_ED1	Returns the number of the thread that generated an error
_ED2	Retry failed command (operand contains the location of the failed command)
_ED3	Skip failed command (operand contains the location of the command after the failed command)

The operands are used with the XQ command in the following format:

XQ \_ED2 (or \_ED3),\_ED1,1

Where the “,1” at the end of the command line indicates a restart; therefore, the existing program stack will not be removed when the above format executes.

The following example shows an error correction routine which uses the operands.

***Example - Command Error w/Multitasking***

<b>Instruction</b>	<b>Interpretation</b>
#A	Begin thread 0 (continuous loop)
JP#A	
EN	End of thread 0
#B	Begin thread 1
n=-1	Create new variable
KP n	Set KP to value of n, an invalid value
TY	Issue invalid command
EN	End of thread 1
#CMDERR	Begin command error subroutine
IF (_TC=6)	If error is out of range (KP -1)
n=1	Set n to a valid number
XQ _ED2,_ED1,1	Retry KP n command
ENDIF	
IF (_TC=1)	If error is invalid command (TY)
XQ _ED3,_ED1,1	Skip invalid command
ENDIF	
EN	End of command error routine

***Example – Ethernet Communication Error***

This simple program executes in the DMC-21x2/21x3 and indicates (via the serial port) when a communication handle fails. By monitoring the serial port, the user can re-establish communication if needed.

<b><u>Instruction</u></b>	<b><u>Interpretation</u></b>
#LOOP	Simple program loop
JP#LOOP	
EN	
#TCPERR	Ethernet communication error auto routine
MG {P1}_IA4	Send message to serial port indicating which handle did not receive proper acknowledgment.
RE	

---

# Mathematical and Functional Expressions

## Mathematical Operators

For manipulation of data, the DMC-21x2/21x3 provides the use of the following mathematical operators:

Operator	Function
+	Addition
-	Subtraction
*	Multiplication
/	Division
&	Logical And (Bit-wise)
	Logical Or (On some computers, a solid vertical line appears as a broken line)
()	Parenthesis

The numeric range for addition, subtraction and multiplication operations is +/-2,147,483,647.9999. The precision for division is 1/65,000.

Mathematical operations are executed from left to right. Calculations within a parentheses have precedence.

speed=7.5\*V1/2

The variable 'speed' is equal to 7.5 multiplied by V1 and divided by 2

count= count +2

The variable 'count' is equal to the current value plus 2.

result=\_TPA-(@COS[45]\*40)

Puts the position of A - 28.28 in 'result' ( 40 \* cosine of 45° is 28.28)

temp=@IN[1]&@IN[2]

'temp' is equal to 1 only if Input 1 and Input 2 are high

## Bit-Wise Operators

The mathematical operators & and | are bit-wise operators. The operator, &, is a Logical And. The operator, |, is a Logical Or. These operators allow for bit-wise operations on any valid DMC-21x2/21x3 numeric operand, including variables, array elements, numeric values, functions, keywords and arithmetic expressions. The bit-wise operators may also be used with strings. This is useful for separating characters from an input string. When using the input command for string input, the input variable will hold up to 6 characters. These characters are combined into a single value which is represented as 32 bits of integer and 16 bits of fraction. Each ASCII character is represented as one byte (8 bits), therefore the input variable can hold up to six characters. The first character of the string will be placed in the top byte of the variable and the last character will be placed in the lowest significant byte of the fraction. The characters can be individually separated by using bit-wise operations as illustrated in the following example:

### Instruction

#TEST

IN "ENTER",len{S6}

flen=@FRAC[len]

### Interpretation

Begin main program

Input character string of up to 6 characters into variable 'len'

Define variable 'flen' as fractional part of variable 'len'



flen=\$10000* flen	Shift flen by 32 bits (IE - convert fraction, flen, to integer)
len1=( flen &\$00FF)	Mask top byte of flen and set this value to variable 'len1'
len2=( flen &\$FF00)/\$100	Let variable, 'len2' = top byte of flen
len3= len &\$000000FF	Let variable, 'len3' = bottom byte of len
len4=( len &\$0000FF00)/\$100	Let variable, 'len4' = second byte of len
len5=( len &\$00FF0000)/\$10000	Let variable, 'len5' = third byte of len
len6=( len &\$FF000000)/\$1000000	Let variable, 'len6' = fourth byte of len
MG len6 {S4}	Display 'len6' as string message of up to 4 chars
MG len5 {S4}	Display 'len5' as string message of up to 4 chars
MG len4 {S4}	Display 'len4' as string message of up to 4 chars
MG len3 {S4}	Display 'len3' as string message of up to 4 chars
MG len2 {S4}	Display 'len2' as string message of up to 4 chars
MG len1 {S4}	Display 'len1' as string message of up to 4 chars
EN	

This program will accept a string input of up to 6 characters, parse each character, and then display each character. Notice also that the values used for masking are represented in hexadecimal (as denoted by the preceding '\$'). For more information, see section *Sending Messages*.

To illustrate further, if the user types in the string "TESTME" at the input prompt, the controller will respond with the following:

T	Response from command MG len6 {S4}
E	Response from command MG len5 {S4}
S	Response from command MG len4 {S4}
T	Response from command MG len3 {S4}
M	Response from command MG len2 {S4}
E	Response from command MG len1 {S4}

## Functions

FUNCTION	DESCRIPTION
@SIN[n]	Sine of n (n in degrees, with range of -32768 to 32767 and 16-bit fractional resolution)
@COS[n]	Cosine of n (n in degrees, with range of -32768 to 32767 and 16-bit fractional resolution)
@TAN[n]	Tangent of n (n in degrees, with range of -32768 to 32767 and 16-bit fractional resolution)
@ASIN*[n]	Arc Sine of n, between -90° and +90°. Angle resolution in 1/64000 degrees.
@ACOS* [n]	Arc Cosine of n, between 0 and 180°. Angle resolution in 1/64000 degrees.
@ATAN* [n]	Arc Tangent of n, between -90° and +90°. Angle resolution in 1/64000 degrees
@COM[n]	One's Complement of n
@ABS[n]	Absolute value of n
@FRAC[n]	Fraction portion of n
@INT[n]	Integer portion of n
@RND[n]	Round of n (Rounds up if the fractional part of n is .5 or greater)
@SQR[n]	Square root of n (Accuracy is +/- .0001)
@IN[n]	Return digital input at general input n (where n starts at 1)
@OUT[n]	Return digital output at general output n (where n starts at 1)

\* Note that these functions are multi-valued. An application program may be used to find the correct band.

Functions may be combined with mathematical expressions. The order of execution of mathematical expressions is from left to right and can be over-ridden by using parentheses.

### Instruction

v1=@ABS[v7]

v2=5\*@SIN[pos]

v3=@IN[1]

### Interpretation

The variable, V1, is equal to the absolute value of variable V7.

The variable, V2, is equal to five times the sine of the variable, POS.

The variable, V3, is equal to the digital value of input 1.

## Variables

For applications that require a parameter that is variable, the DMC-21x2/21x3 provides 510 variables. These variables can be numbers or strings. A program can be written in which certain parameters, such as position or speed, are defined as variables. The variables can later be assigned by the operator or determined by program calculations. For example, a cut-to-length application may require that a cut length be variable.

### Instruction

PR posa

JG rpmb\*70

### Interpretation

Assigns variable 'posa' to PR command

Assigns variable 'rpmb' multiplied by 70 to JG command.

## Programmable Variables

The DMC-21x2/21x3 allows the user to create up to 510 variables. Each variable is defined by a name which can be up to eight characters. The name must start with an alphabetic character, however,

numbers are permitted in the rest of the name. Spaces are not permitted. Variables can be upper or lowercase, or any combination. Variables are case sensitive, SPEEDC≠speedC. Variable names should not be the same as DMC-21x2/21x3 instructions. For example, PR is not a good choice for a variable name.

Examples of valid and invalid variable names are:

**Valid Variable Names**

POSA  
pos1  
speedC

**Invalid Variable Names**

REALLONGNAME ; Cannot have more than 8 characters  
123 ; Cannot begin variable name with a number  
SPEED C ; Cannot have spaces in the name

***Assigning Values to Variables***

Assigned values can be numbers, internal variables and keywords, functions, controller parameters and strings;

The range for numeric variable values is 4 bytes of integer ( $2^{31}$ ) followed by two bytes of fraction (+/-2,147,483,647.9999).

Numeric values can be assigned to programmable variables using the equal sign.

Any valid DMC-21x2/21x3 function can be used to assign a value to a variable. For example, V1=@ABS[v2] or v2=@IN[1]. Arithmetic operations are also permitted.

To assign a string value, the string must be in quotations. String variables can contain up to six characters which must be in quotation.

<b>Instruction</b>	<b>Interpretation</b>
posA=_TPA	Assigns returned value from TPA command to variable posA
SPEED=5.75	Assigns value 5.75 to variable SPEED
input=@IN[2]	Assigns logical value of input 2 to variable input
v2=v1+v3*v4	Assigns the value of v1 plus v3 times v4 to the variable v2.
Var="CAT"	Assign the string, CAT, to Var

***Assigning Variable Values to Controller Parameters***

Variable values may be assigned to controller parameters such as KD or PR.

PR v1	Assign v1 to PR command
SP vS*2000	Assign vS*2000 to SP command

***Displaying the value of variables at the terminal***

Variables may be sent to the screen using the format, 'variable'= . For example, v1= , returns the value of the variable v1.

---

## Operands

Operands allow motion or status parameters of the DMC-21x2/21x3 to be incorporated into programmable variables and expressions. Most DMC-21x2/21x3 commands have an equivalent operand - which are designated by adding an underscore ( `_` ) prior to the DMC-21x2/21x3 command. The command reference indicates which commands have an associated operand.

Status commands such as Tell Position return actual values, whereas action commands such as KP or SP return the values in the DMC-21x2/21x3 registers. The axis designation is required following the command.

Instruction	Interpretation
<code>posA=_TPA</code>	Assigns value from Tell Position A to the variable <code>posA</code> .
<code>JP #LOOP,_TEA&gt;5</code>	Jump to <code>#LOOP</code> if the position error of A is greater than 5
<code>JP #ERROR,_TC=1</code>	Jump to <code>#ERROR</code> if the error code equals 1.

Operands can be used in an expression and assigned to a programmable variable, but they cannot be assigned a value. For example: `_TPA=2` is invalid.

## Special Operands (Keywords)

The DMC-21x2/21x3 provides a few additional operands which give access to internal variables that are not accessible by standard DMC-21x2/21x3 commands.

Operand	Function
<code>_BGn</code>	*Returns a 1 if motion on axis 'n' is complete, otherwise returns 0.
<code>_BN</code>	*Returns serial # of the board.
<code>_DA</code>	*Returns the number of arrays available
<code>_DL</code>	*Returns the number of available labels for programming
<code>_DM</code>	*Returns the available array memory
<code>_HMn</code>	*Returns status of Home Switch of axis 'n' (equals 0 or 1)
<code>_LFn</code>	Returns status of Forward Limit switch input of axis 'n' (equals 0 or 1)
<code>_LRn</code>	Returns status of Reverse Limit switch input of axis 'n' (equals 0 or 1)
<code>_UL</code>	*Returns the number of available variables
<code>TIME</code>	Free-Running Real Time Clock (off by 2.4% - Resets with power-on). <b>NOTE:</b> <code>TIME</code> does not use an underscore character ( <code>_</code> ) as other keywords.

\*These keywords have corresponding commands while the keywords `_LF`, `_LR`, and `TIME` do not have any associated commands. All keywords are listed in the Command Reference.

<code>v1=_LFA</code>	Assign <code>v1</code> the state of the Forward Limit Switch on the A-axis
<code>v3=TIME</code>	Assign <code>v3</code> the current value of the time clock
<code>v4=_HMD</code>	Assign <code>v4</code> the logical state of the Home input on the D-axis

---

## Arrays

For storing and collecting numerical data, the DMC-21x2/21x3 provides array space for 8000 elements. The arrays are one dimensional and up to 30 different arrays may be defined. Each array

element has a numeric range of 4 bytes of integer ( $2^{31}$ ) followed by two bytes of fraction (+/-2,147,483,647.9999).

Arrays can be used to capture real-time data, such as position and torque values. In the contouring mode, arrays are convenient for holding the points of a position trajectory in a record and playback application.

## Defining Arrays

An array is defined with the command DM. The user must specify a name and the number of entries to be held in the array. An array name can contain up to eight characters, starting with an uppercase alphabetic character. The number of entries in the defined array is enclosed in [ ].

DM posA[7]	Defines an array names posA with seven entries
DM speed[100]	Defines an array named speed with 100 entries
DM posA[0]	Frees array space

## Assignment of Array Entries

Like variables, each array element can be assigned a value. Assigned values can be numbers or returned values from instructions, functions and keywords.

Array elements are addressed starting at count 0. For example the first element in the posA array (defined with the DM command, DM posA[7]) would be specified as posA[0].

Values are assigned to array entries using the equal sign. Assignments are made one element at a time by specifying the element number with the associated array name.

NOTE: Arrays must be defined using the command, DM, before assigning entry values.

DM speed[10]	Dimension Speed Array
speed[1]=7650.2	Assigns the first element of the array the value 7650.2
speed[1]=	Returns array element value
posXA[10]=_TPA	Assigns the 10th element the position of A
con[2]=@COS[POS]*2	Assigns the 2 <sup>nd</sup> element of the array the cosine of POS * 2.
timer[1]=TIME	Assigns the 1 <sup>st</sup> element of the array 'timer'

## Using a Variable to Address Array Elements

An array element number can also be a variable. This allows array entries to be assigned sequentially using a counter.

Instruction	Interpretation
#A	Begin Program
count=0;DM POS[10]	Initialize counter and define array
#LOOP	Begin loop
WT 10	Wait 10 msec
POS[count]=_TPA	Record position into array element
POS[count]=	Report position
count = count +1	Increment counter
JP #LOOP, count <10	Loop until 10 elements have been stored
EN	End Program

The above example records 10 position values at a rate of one value per 10 msec. The values are stored in an array named POS. The variable 'count' is used to increment the array element counter. The above example can also be executed with the automatic data capture feature described below.

## Uploading and Downloading Arrays to On Board Memory

Arrays may be uploaded and downloaded using the QU and QD commands.

QU array[,start,end,delim

QD array[,start,end

where array is an array name such as A[].

Start is the first element of array (default=0)

End is the last element of array (default=last element)

Delim specifies whether the array data is separated by a comma (delim=1) or a carriage return (delim=0).

The file is terminated using <control>Z, <control>Q, <control>D or \.

## Automatic Data Capture into Arrays

The DMC-21x2/21x3 provides a special feature for automatic capture of data such as position, position error, inputs or torque. This is useful for teaching motion trajectories or observing system performance. Up to four types of data can be captured and stored in four arrays. The capture rate or time interval may be specified. Recording can be done as a one time event or as a circular continuous recording.

### *Command Summary - Automatic Data Capture*

command	description
RA n[,m[,o[,p[]	Selects up to four arrays for data capture. The arrays must be defined with the DM command.
RD type1,type2,type3,type4	Selects the type of data to be recorded, where type1, type2, type3, and type 4 represent the various types of data (see table below). The order of data type is important and corresponds with the order of n,m,o,p arrays in the RA command.
RC n,m	The RC command begins data collection. Sets data capture time interval where n is an integer between 1 and 8 and designates 2 <sup>n</sup> msec between data. m is optional and specifies the number of elements to be captured. If m is not defined, the number of elements defaults to the smallest array defined by DM. When m is a negative number, the recording is done continuously in a circular manner. _RD is the recording pointer and indicates the address of the next array element. N=0 stops recording.
RC?	Returns a 0 or 1 where, 0 denotes not recording, 1 specifies recording in progress

### *Data Types for Recording:*

data type	description
_DEA	2nd encoder position (dual encoder)
_TPA	Encoder position
_TEA	Position error

_SHA	Commanded position
_RLA	Latched position
_TI	Inputs
_OP	Output
_TSA	Switches (only bit 0-4 valid)
_SCA	Stop code
_NOA	Status bits
_TTA	Torque (reports digital value +/-32544)

**NOTE:** A may be replaced by B,C,D,E,F,G, or H for capturing data on other axes.

### ***Operand Summary - Automatic Data Capture***

_RC	Returns a 0 or 1 where, 0 denotes not recording, 1 specifies recording in progress
_RD	Returns address of next array element.

### ***Example - Recording into An Array***

<b>Instruction</b>	<b>Interpretation</b>
#RECORD	Begin program
DM apos[300],bpos[300]	Define A,B position arrays
DM aerr[300],berr[300]	Define A,B error arrays
RA apos [],aerr[],bpos[],berr[]	Select arrays for capture
RD _TPA,_TEA,_TPB,_TEB	Select data types
PR 10000,20000	Specify move distance
RC1	Start recording now, at rate of 2 msec
BG AB	Begin motion
#A;JP #A,_RC=1	Loop until done
MG "DONE"	Print message
EN	End program
#PLAY	Play back
N=0	Initial Counter
JP# DONE,N>300	Exit if done
n=	Print Counter
apos [N]=	Print X position
bpos [N]=	Print Y position
aerr[N]=	Print X error
berr[N]=	Print Y error
n=n+1	Increment Counter
#DONE	Done
EN	End Program

### **Deallocating Array Space**

Array space may be deallocated using the DA command followed by the array name. DA\*[0] deallocates all the arrays.

---

# Input of Data (Numeric and String)

## Input of Data

The command, IN, is used to prompt the user to input numeric or string data. Using the IN command, the user may specify a message prompt by placing a message in quotations. When the controller executes an IN command, the controller will wait for the input of data. The input data is assigned to the specified variable or array element.

### *Example- Inputting Numeric Data*

```
#A
IN "Enter Length",lenA
EN
```

In this example, the message “Enter Length” is displayed on the computer screen. The controller waits for the operator to enter a value. The operator enters the numeric value which is assigned to the variable, lenA. (**NOTE:** Do not include a space between the comma at the end of the input message and the variable name.)

### *Example- Cut-to-Length*

In this example, a length of material is to be advanced a specified distance. When the motion is complete, a cutting head is activated to cut the material. The length is variable, and the operator is prompted to input it in inches. Motion starts with a start button which is connected to input 1.

The load is coupled with a 2 pitch lead screw. A 2000 count/rev encoder is on the motor, resulting in a resolution of 4000 counts/inch. The program below uses the variable len, to length. The IN command is used to prompt the operator to enter the length, and the entered value is assigned to the variable LEN.

<b>Instruction</b>	<b>Interpretation</b>
#BEGIN	LABEL
AC 800000	Acceleration
DC 800000	Deceleration
SP 5000	Speed
len=3.4	Initial length in inches
#CUT	Cut routine
AI1	Wait for start signal
IN "enter Length(IN)", len	Prompt operator for length in inches
PR len *4000	Specify position in counts
BGA	Begin motion to move material
AMA	Wait for motion done
SB1	Set output to cut
WT100;CB1	Wait 100 msec, then turn off cutter
JP #CUT	Repeat process
EN	End program



## Operator Data Entry Mode

The Operator Data Entry Mode provides for un-buffered data entry through the auxiliary RS-232 port. In this mode, the DMC-21xx provides a buffer for receiving characters. This mode may only be used when executing an applications program.

The Operator Data Entry Mode may be specified for Port 1. This mode is entered and exited by the CI command.

**NOTE:** Operator Data Entry Mode cannot be used for high rate data transfer.

To capture and decode characters in the Operator Data Mode, the DMC-21xx provides the following keywords:

Keyword	Function
P1CH	Contains the last character received
P1ST	Contains the received string
P1NM	Contains the received number
P1CD	Contains the status code: -1 mode disabled 0 nothing received 1 received character, but not <enter> 2 received string, not a number 3 received number

**NOTE:** The value of P1CD returns to zero after the corresponding string or number is read.

These keywords may be used in an applications program to decode data and they may also be used in conditional statements with logical operators.

### *Example*

Instruction	Interpretation
JP #LOOP,P1CD<>3	Checks to see if status code is 3 (number received)
JP #P,P1CH="V"	Checks if last character received was a V
PR P1NM	Assigns received number to position
JS #XAXIS,P1ST="X"	Checks to see if received string is X

## Using Communication Interrupt

The DMC-21xx provides a special interrupt for communication allowing the application program to be interrupted by input from the user. The interrupt is enabled using the CI command. The syntax for the command is CI n,m:

n = 0	Don't interrupt Port 1
n = 1	Interrupt on <enter> Port 1
n = 2	Interrupt on any character Port 1
n = -1	Clear any characters in buffer
m = 0	Disable entry mode
m = 1	Enable entry mode

The #COMINT label is used for the communication interrupt. For example, the DMC-21xx can be configured to interrupt on any character received on Port 1. The #COMINT subroutine is entered when a character is received and the subroutine can decode the characters. At the end of the routine the EN command is used. EN,1 will re-enable the interrupt and return to the line of the program where the interrupt was called, EN will just return to the line of the program where it was called without re-

enabling the interrupt. As with any automatic subroutine, a program must be running in thread 0 at all times for it to be enabled.

### ***Example***

A DMC-21xx is used to jog the A and B axis. This program automatically begins upon power-up and allows the user to input values from the main serial port terminal. The speed of either axis may be changed during motion by specifying the axis letter followed by the new speed value. An ST stops motion on both axes.

<b>Instruction</b>	<b>Interpretation</b>
#AUTO	Label for Auto Execute
speedA=10000	Initial A speed
speedB=10000	Initial B speed
CI 2,1	Set Port 1 for Character Interrupt
JG speedA, speedB	Specify jog mode speed for A and B axis
BGXY	Begin motion
#PRINT	Routine to print message to terminal
MG"TO CHANGE SPEEDS"	Print message
MG"TYPE A OR B"	
MG"TYPE S TO STOP"	
#JOGLOOP	Loop to change Jog speeds
JG speedA, speedB	Set new jog speed
JP #JOGLOOP	
EN	End of main program
#COMINT	Interrupt routine
JP #A,P1CH="A"	Check for A
JP #B,P1CH="B"	Check for B
JP #C,P1CH="S"	Check for S
ZS1;CI2;JP#JOGLOOP	Jump if not X,Y,S
#A;JS#NUM	
speedA=val	New A speed
ZS1;CI2;JP#PRINT	Jump to Print
#B;JS#NUM	
speedB=val	New B speed
ZS1;CI2;JP#PRINT	Jump to Print
#C;ST;AMX;CI-1	Stop motion on S
MG{^8}, "THE END"	
ZS;EN,1	End-Re-enable interrupt
#NUM	Routine for entering new jog speed
MG "ENTER",P1CH{S},"AXIS SPEED" {N}	Prompt for value
#NUMLOOP; CI-1	Check for enter
#NMLP	Routine to check input from terminal
JP #NMLP,P1CD<2	Jump to error if string
JP #ERROR,P1CD=2	Read value
val=P1NM	
EN	End subroutine

#ERROR;CI-1	Error Routine
MG "INVALID-TRY AGAIN"	Error message
JP #NMLP	
EN	End

### *Inputting String Variables*

String variables with up to six characters may be input using the specifier, {Sn} where n represents the number of string characters to be input. If n is not specified, six characters will be accepted. For example, IN "Enter A,B or C", V{S} specifies a string variable to be input.

The DMC-21xx, stores all variables as 6 bytes of information. When a variable is specified as a number, the value of the variable is represented as 4 bytes of integer and 2 bytes of fraction. When a variable is specified as a string, the variable can hold up to 6 characters (each ASCII character is 1 byte). When using the IN command for string input, the first input character will be placed in the top byte of the variable and the last character will be placed in the lowest significant byte of the fraction. The characters can be individually separated by using bit-wise operations, see section Bit-wise Operators.

## Output of Data (Numeric and String)

Numerical and string data can be output from the controller using several methods. The message command, MG, can output string and numerical data. Also, the controller can be commanded to return the values of variables and arrays, as well as other information using the interrogation commands (the interrogation commands are described in chapter 5).

### **Sending Messages**

Messages may be sent to the bus using the message command, MG. This command sends specified text and numerical or string data from variables or arrays to the screen.

Text strings are specified in quotes and variable or array data is designated by the name of the variable or array. For example:

```
MG "The Final Value is", result
```

In addition to variables, functions and commands, responses can be used in the message command. For example:

```
MG "Input 1 is", @IN[1]
```

```
MG "The Position of A is", _TPA
```

### *Formatting Messages*

String variables can be formatted using the specifier, {Sn} where n is the number of characters, 1 thru 6. For example:

```
MG STR {S3}
```

This statement returns 3 characters of the string variable named STR.

Numeric data may be formatted using the {Fn.m} expression following the completed MG statement. {Fn.m} formats data in HEX instead of decimal. The actual numerical value will be formatted with n characters to the left of the decimal and m characters to the right of the decimal. Leading zeros will be used to display specified format.

For example::

```
MG "The Final Value is", result {F5.2}
```

If the value of the variable result is equal to 4.1, this statement returns the following:

```
The Final Value is 00004.10
```

If the value of the variable result is equal to 999999.999, the above message statement returns the following:

```
The Final Value is 99999.99
```

The message command normally sends a carriage return and line feed following the statement. The carriage return and the line feed may be suppressed by sending {N} at the end of the statement. This is useful when a text string needs to surround a numeric value.

Example:

```
#A
JG 50000;BGA;ASA
MG "The Speed is", _TVA {F5.1} {N}
MG " counts/sec"
EN
```

When #A is executed, the above example will appear on the screen as:

```
The speed is 50000 counts/sec
```

## ***Using the MG Command to Configure Terminals***

The MG command can be used to configure a terminal. Any ASCII character can be sent by using the format {^n} where n is any integer between 1 and 255.

Example:

```
MG {^07} {^255}
```

sends the ASCII characters represented by 7 and 255 to the Ethernet/serial port.

## ***Summary of Message Functions***

<b>function</b>	<b>description</b>
" "	Surrounds text string
{Fn.m}	Formats numeric values in decimal n digits to the left of the decimal point and m digits to the right
{P1} or {En}	Send message to Serial Port or Ethernet Port
{Sn.m}	Formats numeric values in hexadecimal
{^n}	Sends ASCII character specified by integer n
{N}	Suppresses carriage return/line feed
{Sn}	Sends the first n characters of a string variable, where n is 1 thru 6.

## **Displaying Variables and Arrays**

Variables and arrays may be sent to the screen using the format, variable= or array[x]=. For example, v1= , returns the value of v1.

### ***Example - Printing a Variable and an Array element***

<b>Instruction</b>	<b>Interpretation</b>
#DISPLAY	Label
DM posA[7]	Define Array POSA with 7 entries
PR 1000	Position Command
BGX	Begin
AMX	After Motion
v1=_TPA	Assign Variable v1
posA[1]=_TPA	Assign the first entry
v1=	Print v1

## **Interrogation Commands**

The DMC-21x2/21x3 has a set of commands that directly interrogate the controller. When these command are entered, the requested data is returned in decimal format on the next line followed by a carriage return and line feed. The format of the returned data can be changed using the Position Format (PF), and Leading Zeros (LZ) command. For a complete description of interrogation commands, see Chapter 5.

### ***Using the PF Command to Format Response from Interrogation Commands***

The command, PF, can change format of the values returned by theses interrogation commands:

BL ?	LE ?
DE ?	PA ?
DP ?	PR ?
EM ?	TN ?
FL ?	VE ?
IP ?	TE
TP	

The numeric values may be formatted in decimal or hexadecimal\* with a specified number of digits to the right and left of the decimal point using the PF command.

Position Format is specified by:

PF m.n

where m is the number of digits to the left of the decimal point (0 thru 10) and n is the number of digits to the right of the decimal point (0 thru 4) A negative sign for m specifies hexadecimal format.

\*Hex values are returned preceded by a \$ and in 2's complement. Hex values should be input as signed 2's complement, where negative numbers have a negative sign. The default format is PF 10.0.

If the number of decimal places specified by PF is less than the actual value, a nine appears in all the decimal places.

### ***Example***

<b>Instruction</b>	<b>Interpretation</b>
:DP21	Define position
:TPA	Tell position
0000000021	Default format

:PF4	Change format to 4 places
:TPA	Tell position
0021	New format
:PF-4	Change to hexadecimal format
:TPA	Tell Position
\$0015	Hexadecimal value
:PF2	Format 2 places
:TPA	Tell Position
99	Returns 99 if position greater than 99

### ***Removing Leading Zeros from Response to Interrogation Commands***

The leading zeros on data returned as a response to interrogation commands can be removed by the use of the command, LZ.

LZ0	Disables the LZ function
TP	Tell Position Interrogation Command
-0000000009, 0000000005	Response (With Leading Zeros)
LZ1	Enables the LZ function
TP	Tell Position Interrogation Command
-9, 5	Response (Without Leading Zeros)

### ***Local Formatting of Response of Interrogation Commands***

The response of interrogation commands may be formatted locally. To format locally, use the command, {Fn.m} or {\$n.m} on the same line as the interrogation command. The symbol F specifies that the response should be returned in decimal format and \$ specifies hexadecimal. n is the number of digits to the left of the decimal, and m is the number of digits to the right of the decimal.

TP {F2.2}	Tell Position in decimal format 2.2
-05.00, 05.00, 00.00, 07.00	Response from Interrogation Command
TP {\$4.2}	Tell Position in hexadecimal format 4.2
FFFB.00,\$0005.00,\$0000.00,\$0007.00	Response from Interrogation Command

## **Formatting Variables and Array Elements**

The Variable Format (VF) command is used to format variables and array elements. The VF command is specified by:

VF m.n

where m is the number of digits to the left of the decimal point (0 thru 10) and n is the number of digits to the right of the decimal point (0 thru 4).

A negative sign for m specifies hexadecimal format. The default format for VF is VF 10.4

Hex values are returned preceded by a \$ and in 2's complement.

<b>Instruction</b>	<b>Interpretation</b>
v1=10	Assign v1
v1=	Return v1
:0000000010.0000	Response - Default format

VF2.2	Change format
v1=	Return v1
:10.00	Response - New format
vF-2.2	Specify hex format
v1=	Return v1
\$0A.00	Response - Hex value
VF1	Change format
v1=	Return v1
:9	Response - Overflow

### ***Local Formatting of Variables***

PF and VF commands are global format commands that effect the format of all relevant returned values and variables. Variables may also be formatted locally. To format locally, use the command, {Fn.m} or {\$n.m} following the variable name and the '=' symbol. F specifies decimal and \$ specifies hexadecimal. n is the number of digits to the left of the decimal, and m is the number of digits to the right of the decimal.

<b>Instruction</b>	<b>Interpretation</b>
v1=10	Assign v1
v1=	Return v1
:0000000010.0000	Default Format
v1={F4.2}	Specify local format
:0010.00	New format
v1={S4.2}	Specify hex format
:\$000A.00	Hex value
v1="ALPHA"	Assign string "ALPHA" to v1
v1={S4}	Specify string format first 4 characters
:ALPH	

The local format is also used with the MG command.

### **Converting to User Units**

Variables and arithmetic operations make it easy to input data in desired user units such as inches or RPM.

The DMC-21x2/21x3 position parameters such as PR, PA and VP have units of quadrature counts. Speed parameters such as SP, JG and VS have units of counts/sec. Acceleration parameters such as AC, DC, VA and VD have units of counts/sec<sup>2</sup>. The controller interprets time in milliseconds.

All input parameters must be converted into these units. For example, an operator can be prompted to input a number in revolutions. A program could be used such that the input number is converted into counts by multiplying it by the number of counts/revolution.

<b>Instruction</b>	<b>Interpretation</b>
#RUN	Label
IN "ENTER # OF REVOLUTIONS",n1	Prompt for revs
PR n1*2000	Convert to counts

IN "ENTER SPEED IN RPM",s1	Prompt for RPMs
SP s1*2000/60	Convert to counts/sec
IN "ENTER ACCEL IN RAD/SEC2",a1	Prompt for acceleration
AC a1*2000/(2*3.14)	Convert to counts/sec^2
BG	Begin motion
EN	End program

## Hardware I/O

### Digital Outputs

The DMC-21x2/21x3 has an 8-bit uncommitted output port and an additional 40 I/O (with the addition of the daughter board DB-28040) which may be configured as inputs or outputs with the CO command for controlling external events. The DMC-2152 through DMC-2182 has an additional 8 outputs. Each bit on the output port may be set and cleared with the software instructions SB (Set Bit) and CB (Clear Bit), or OB (define output bit).

#### *Example- Set Bit and Clear Bit*

Instruction	Interpretation
SB6	Sets bit 6 of output port
CB4	Clears bit 4 of output port

#### *Example- Output Bit*

The Output Bit (OB) instruction is useful for setting or clearing outputs depending on the value of a variable, array, input or expression. Any non-zero value results in a set bit.

Instruction	Interpretation
OB1, POS	Set Output 1 if the variable POS is non-zero. Clear Output 1 if POS equals 0.
OB 2, @IN [1]	Set Output 2 if Input 1 is high. If Input 1 is low, clear Output 2.
OB 3, @IN [1]&@IN [2]	Set Output 3 only if Input 1 and Input 2 are high.
OB 4, COUNT [1]	Set Output 4 if element 1 in the array COUNT is non-zero.

The output port can be set by specifying an 8-bit word using the instruction OP (Output Port). This instruction allows a single command to define the state of the entire 8-bit output port, where  $2^0$  is output 1,  $2^1$  is output 2 and so on. A 1 designates that the output is on.

#### *Example- Output Port*

Instruction	Interpretation
OP6	Sets outputs 2 and 3 of output port to high. All other bits are 0. ( $2^1 + 2^2 = 6$ )
OP0	Clears all bits of output port to zero
OP 255	Sets all bits of output port to one. ( $2^2 + 2^1 + 2^2 + 2^3 + 2^4 + 2^5 + 2^6 + 2^7$ )

The output port is useful for setting relays or controlling external switches and events during a motion sequence.



### ***Example - Turn on output after move***

<b>Instruction</b>	<b>Interpretation</b>
#OUTPUT	Label
PR 2000	Position Command
BG	Begin
AM	After move
SB1	Set Output 1
WT 1000	Wait 1000 msec
CB1	Clear Output 1
EN	End

## **Digital Inputs**

The general digital inputs for are accessed by using the @IN[n] function or the TI command. The @IN[n] function returns the logic level of the specified input, n, where n is a number 1 through 96.

### ***Example - Using Inputs to control program flow***

<b>Instruction</b>	<b>Interpretation</b>
JP #A,@IN[1]=0	Jump to A if input 1 is low
JP #B,@IN[2]=1	Jump to B if input 2 is high
AI 7	Wait until input 7 is high
AI -6	Wait until input 6 is low

### ***Example - Start Motion on Switch***

Motor A must turn at 4000 counts/sec when the user flips a panel switch to 'on'. When panel switch is turned to 'off' position, motor A must stop turning.

Solution: Connect panel switch to input 1 of DMC-21x2/21x3. High on input 1 means switch is in 'on' position.

<b>Instruction</b>	<b>Interpretation</b>
#S;JG 4000	Set speed
AI 1;BGA	Begin after input 1 goes high
AI -1;STA	Stop after input 1 goes low
AMA;JP #S	After motion, repeat
EN;	

## **Analog Inputs**

The DMC-21x2/3 provides eight analog inputs with the addition of the DB-28040. The value of these inputs in volts may be read using the @AN[n] function where n is the analog input 1 through 8. The resolution of the Analog-to-Digital conversion is 12 bits (16-bit optional – Consult Galil). Analog inputs are useful for reading special sensors such as temperature, tension or pressure.

The following examples show programs which cause the motor to follow an analog signal. The first example is a point-to-point move. The second example shows a continuous move.

### ***Example - Position Follower (Point-to-Point)***

Objective - The motor must follow an analog signal. When the analog signal varies by 10V, motor must move 10000 counts.

Method: Read the analog input and command A to move to that point.

<b>Instruction</b>	<b>Interpretation</b>
#POINTS	Label
SP 7000	Speed
AC 80000;DC 80000	Acceleration
#LOOP	
vp=@AN[1]*1000	Read and analog input, compute position
PA vp	Command position
BGA	Start motion
AMA	After completion
JP #LOOP	Repeat
EN	End

### ***Example - Position Follower (Continuous Move)***

Method: Read the analog input, compute the commanded position and the position error. Command the motor to run at a speed in proportions to the position error.

<b>Instruction</b>	<b>Interpretation</b>
#CONT	Label
AC 80000;DC 80000	Acceleration rate
JG 0	Start job mode
BGX	Start motion
#LOOP	
vp=@AN[1]*1000	Compute desired position
ve=vp-_TPA	Find position error
vel=ve*20	Compute velocity
JG vel	Change velocity
JP #LOOP	Change velocity
EN	End

## **The Auxiliary Encoder Inputs**

The auxiliary encoder inputs can be used for general use. For each axis, the controller has one auxiliary encoder and each auxiliary encoder consists of two inputs, channel A and channel B. The auxiliary encoder inputs are mapped to the inputs 81-96.

Each input from the auxiliary encoder is a differential line receiver and can accept voltage levels between +/- 12Volts. The inputs have been configured to accept TTL level signals. To connect TTL signals, simply connect the signal to the + input and leave the - input disconnected. For other signal levels, the - input should be connected to a voltage that is 1/2 of the full voltage range (for example, connect the - input to 6 volts if the signal is a 0 - 12 volt logic).

Example:

A DMC-2112 has one auxiliary encoder. This encoder has two inputs (channel A and channel B). Channel A input is mapped to input 81 and Channel B input is mapped to input 82. To use this input

for 2 TTL signals, the first signal will be connected to AA+ and the second to AB+. AA- and AB- will be left unconnected. To access this input, use the function @IN[81] and @IN[82].

**NOTE:** The auxiliary encoder inputs are not available for any axis that is configured for stepper motor.

## Input Interrupt Function

The DMC-21x2/21x3 provides an input interrupt function which causes the program to automatically execute the instructions following the #ININT label. This function is enabled using the II m,n,o command. The m specifies the beginning input and n specifies the final input in the range. The parameter o is an interrupt mask. If m and n are unused, o contains a number with the mask. A 1 designates that input to be enabled for an interrupt, where  $2^0$  is bit 1,  $2^1$  is bit 2 and so on. For example, II,,5 enables inputs 1 and 3 ( $2^0 + 2^2 = 5$ ).

A low input on any of the specified inputs will cause automatic execution of the #ININT subroutine. The Return from Interrupt (RI) command is used to return from this subroutine to the place in the program where the interrupt had occurred. If it is desired to return to somewhere else in the program after the execution of the #ININT subroutine, the Zero Stack (ZS) command is used followed by unconditional jump statements.

**Important: Use the RI command (not EN) to return from the #ININT subroutine.**

### *Example - Input Interrupt*

<b>Instruction</b>	<b>Interpretation</b>
#A	Label #A
II 1	Enable input 1 for interrupt function
JG 30000,-20000	Set speeds on A and B axes
BG AB	Begin motion on A and B axes
#B	Label #B
TP AB	Report A and B axes positions
WT 1000	Wait 1000 milliseconds
JP #B	Jump to #B
EN	End of program
#ININT	Interrupt subroutine
MG "Interrupt has occurred"	Displays the message
ST AB	Stops motion on A and B axes
#LOOP;JP #LOOP,@IN[1]=0	Loop until Interrupt cleared
JG 15000,10000	Specify new speeds
WT 300	Wait 300 milliseconds
BG AB	Begin motion on A and B axes
RI	Return from Interrupt subroutine

---

## Extended I/O of the DMC-21x2/21x3 Controller

The DMC-21x2/21x3 controller, with optional DB-28040, offers 40 extended I/O points which can be configured as inputs or outputs in 8 bit increments through software. The I/O points are accessed through the daughter board, which utilizes one 50-pin IDC ribbon connectors.

### Configuring the I/O of the DMC-21x2/21x3

The 40 extended I/O points of the DMC-21x2/21x3 series controller can be configured in blocks of 8. The extended I/O is denoted as blocks 2-6 or bits 17-56.

The command, CO, is used to configure the extended I/O as inputs or outputs. The CO command has one field:

CO n

where n is a decimal value which represents a binary number. Each bit of the binary number represents one block of extended I/O. When set to 1, the corresponding block is configured as an output.

The least significant bit represents block 2 and the most significant bit represents block 9. The decimal value can be calculated by the following formula.  $n = n_2 + 2*n_3 + 4*n_4 + 8*n_5 + 16*n_6$  where  $n_x$  represents the block. If the  $n_x$  value is a one, then the block of 8 I/O points is to be configured as an output. If the  $n_x$  value is a zero, then the block of 8 I/O points will be configured as an input. For example, if block 4 and 5 is to be configured as an output, CO 12 is issued.

8-Bit I/O Block	Block	Binary Representation	Decimal Value for Block
17-24	2	$2^0$	1
25-32	3	$2^1$	2
33-40	4	$2^2$	4
41-48	5	$2^3$	8
49-56	6	$2^4$	16

The simplest method for determining n:

**Step 1.** Determine which 8-bit I/O blocks to be configured as outputs.

**Step 2.** From the table, determine the decimal value for each I/O block to be set as an output.

**Step 3.** Add up all of the values determined in step 2. This is the value to be used for n.

For example, if blocks 2 and 3 are to be outputs, then n is 3 and the command, CO3, should be issued.

**NOTE:** This calculation is identical to the formula:  $n = n_2 + 2*n_3 + 4*n_4 + 8*n_5 + 16*n_6$  where  $n_x$  represents the block.

### Saving the State of the Outputs in Non-Volatile Memory

The configuration of the extended I/O and the state of the outputs can be stored in the EEPROM with the BN command. If no value has been set, the default of CO 0 is used (all blocks are inputs).

## Accessing Extended I/O

When configured as an output, each I/O point may be defined with the SBn and CBn commands (where n=1 through 8 and 17 through 56). Outputs may also be defined with the conditional command, OBn (where n=1 through 8 and 17 through 56).

The command, OP, may also be used to set output bits, specified as blocks of data. The OP command accepts 5 parameters. The first parameter sets the values of the main output port of the controller (Outputs 1-8, block 0). The additional parameters set the value of the extended I/O as outlined:

OP m,a,b,c,d

where m is the decimal representation of the bits 1-8 (values from 0 to 255) and a,b,c,d represent the extended I/O in consecutive groups of 16 bits. (values from 0 to 65535). Arguments which are given for I/O points which are configured as inputs will be ignored. The following table describes the arguments used to set the state of outputs.

Argument	Blocks	Bits	Description
m	0	1-8	General Outputs
a	2,3	17-32	Extended I/O
b	4,5	33-48	Extended I/O
c	6,7	49-56	Extended I/O

For example, the following command may be issued:

OP 7

This command will set bits 1,2,3 (block 0) to 1. Bits 4 through 8 will be set to 0. All other bits are unaffected.

When accessing I/O blocks configured as inputs, use the TIn command. The argument 'n' refers to the block to be read (n=0,2,3,4,5,6). The value returned will be a decimal representation of the corresponding bits.

Individual bits can be queried using the @IN[n] function (where n=1 through 8 or 17 through 56). If the following command is issued;

MG @IN[17]

the controller will return the state of the least significant bit of block 2 (assuming block 2 is configured as an input).

## Interfacing to Grayhill or OPTO-22 G4PB24

The DMC-21x2/21x3 controller uses a daughter board DB-28040 which breaks out the extended IO to 1 50-pin IDC connector which are compatible with I/O mounting racks such as Grayhill 70GRCM32-HL and OPTO-22 G4PB24. Block 5 must be configured as inputs and will be grounded by the I/O rack.

---

## Example Applications

### Wire Cutter

An operator activates a start switch. This causes a motor to advance the wire a distance of 10". When the motion stops, the controller generates an output signal which activates the cutter. Allowing 100 ms for the cutting completes the cycle.

Suppose that the motor drives the wire by a roller with a 2" diameter. Also assume that the encoder resolution is 1000 lines per revolution. Since the circumference of the roller equals  $2\pi$  inches, and it corresponds to 4000 quadrature, one inch of travel equals:

$$4000/2\pi = 637 \text{ count/inch}$$

This implies that a distance of 10 inches equals 6370 counts, and a slew speed of 5 inches per second, for example, equals 3185 count/sec.

The input signal may be applied to I1, for example, and the output signal is chosen as output 1. The motor velocity profile and the related input and output signals are shown in Fig. 7.1.

The program starts at a state that we define as #A. Here the controller waits for the input pulse on I1. As soon as the pulse is given, the controller starts the forward motion.

Upon completion of the forward move, the controller outputs a pulse for 20 ms and then waits an additional 80 ms before returning to #A for a new cycle.

Instruction	Interpretation
#A	Label
AI1	Wait for input 1
PR 6370	Distance
SP 3185	Speed
BGA	Start Motion
AMA	After motion is complete
SB1	Set output bit 1
WT 20	Wait 20 ms
CB1	Clear output bit 1
WT 80	Wait 80 ms
JP #A	Repeat the process

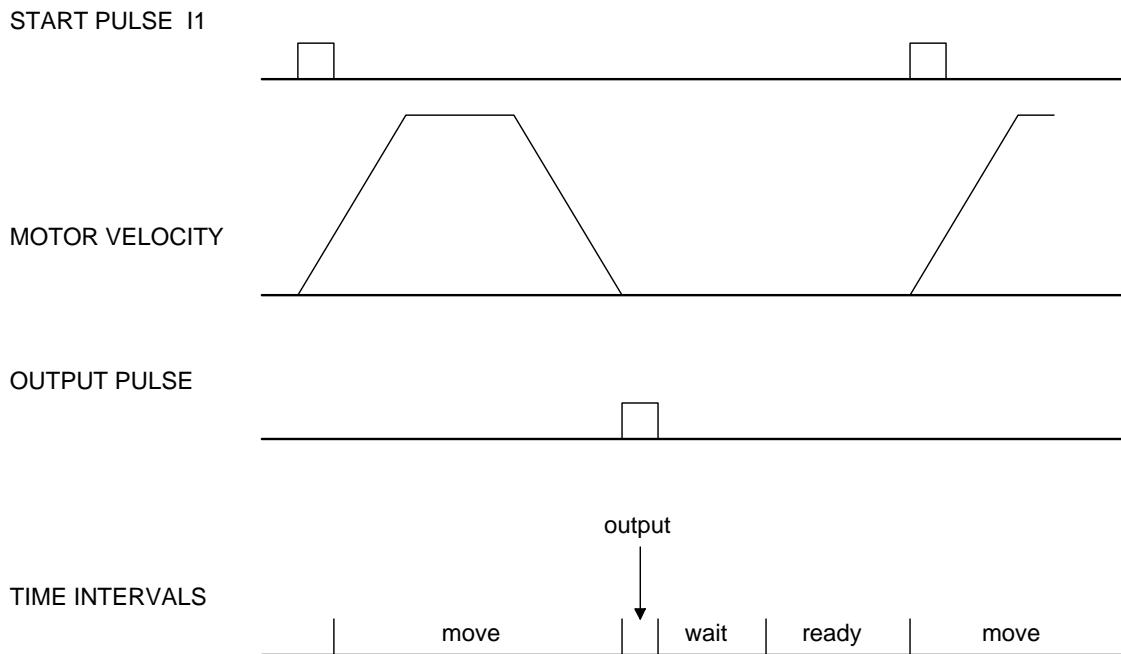


Figure 7.1 - Motor Velocity and the Associated Input/Output signals

## A-B Table Controller

An A-B-C system must cut the pattern shown in Fig. 7.2. The A-B table moves the plate while the C-axis raises and lowers the cutting tool.

The solid curves in Fig. 7.2 indicate sections where cutting takes place. Those must be performed at a feedrate of 1 inch per second. The dashed line corresponds to non-cutting moves and should be performed at 5 inch per second. The acceleration rate is 0.1 g.

The motion starts at point A, with the C-axis raised. An A-B motion to point B is followed by lowering the C-axis and performing a cut along the circle. Once the circular motion is completed, the C-axis is raised and the motion continues to point C, etc.

Assume that all of the 3 axes are driven by lead screws with 10 turns-per-inch pitch. Also assume encoder resolution of 1000 lines per revolution. This results in the relationship:

$$1 \text{ inch} = 40,000 \text{ counts}$$

and the speeds of

$$1 \text{ in/sec} = 40,000 \text{ count/sec}$$

$$5 \text{ in/sec} = 200,000 \text{ count/sec}$$

an acceleration rate of 0.1g equals

$$0.1g = 38.6 \text{ in/s}^2 = 1,544,000 \text{ count/s}^2$$

Note that the circular path has a radius of 2" or 80000 counts, and the motion starts at the angle of 270° and traverses 360° in the CW (negative direction). Such a path is specified with the instruction

CR 80000,270,-360

Further assume that the C must move 2" at a linear speed of 2" per second. The required motion is performed by the following instructions:

<b>Instruction</b>	<b>Interpretation</b>
#A	Label
VM AB	Circular interpolation for AB
VP 160000,160000	Positions
VE	End Vector Motion
VS 200000	Vector Speed
VA 1544000	Vector Acceleration
BGS	Start Motion
AMS	When motion is complete
PR,,-80000	Move C down
SP,,80000	C speed
BGC	Start C motion
AMC	Wait for completion of C motion
CR 80000,270,-360	Circle
VE	
VS 40000	Feedrate
BGS	Start circular move
AMS	Wait for completion
PR,,80000	Move C up
BGC	Start C move

AMC	Wait for C completion
PR -21600	Move A
SP 20000	Speed A
BGA	Start A
AMA	Wait for A completion
PR,,-80000	Lower C
BGC	
AMC	
CR 80000,270,-360	C second circle move
VE	
VS 40000	
BGS	
AMS	
PR,,80000	Raise C
BGC	
AMC	
VP -37600,-16000	Return AB to start
VE	
VS 200000	
BGS	
AMS	
EN	

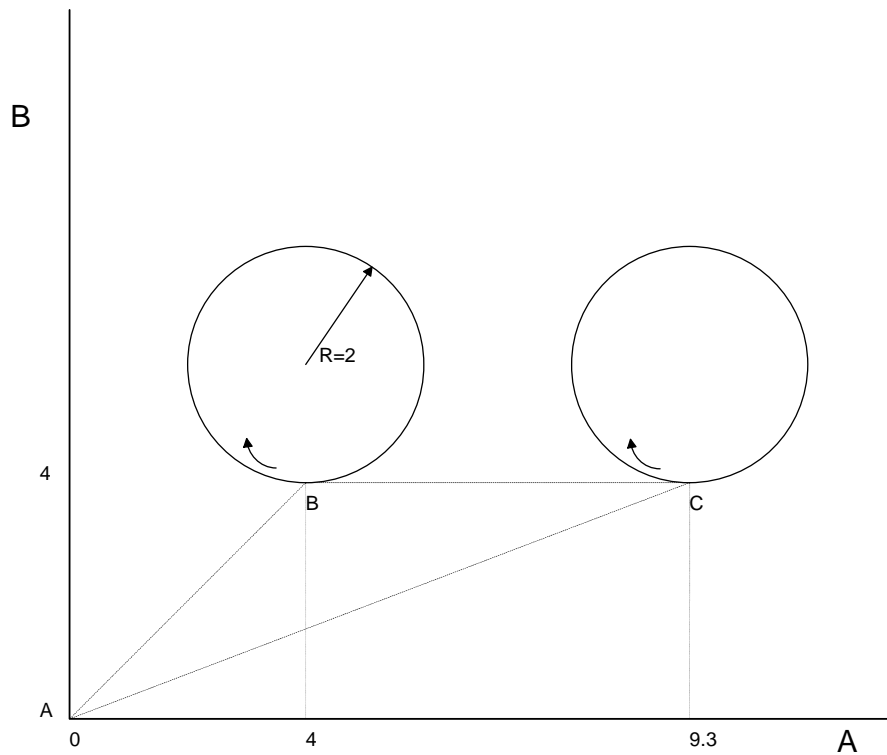


Figure 7.2 – 2D cutting pattern



## Backlash Compensation by Sampled Dual-Loop

The continuous dual loop, enabled by the DV1 function is an effective way to compensate for backlash. In some cases, however, when the backlash magnitude is large, it may be difficult to stabilize the system. In those cases, it may be easier to use the sampled dual loop method described below.

This design example addresses the basic problems of backlash in motion control systems. The objective is to control the position of a linear slide precisely. The slide is to be controlled by a rotary motor, which is coupled to the slide by a leadscrew. Such a leadscrew has a backlash of 4 micron, and the required position accuracy is for 0.5 micron.

The basic dilemma is where to mount the sensor. If you use a rotary sensor, you get a 4 micron backlash error. On the other hand, if you use a linear encoder, the backlash in the feedback loop will cause oscillations due to instability.

An alternative approach is the dual-loop, where we use two sensors, rotary and linear. The rotary sensor assures stability (because the position loop is closed before the backlash) whereas the linear sensor provides accurate load position information. The operation principle is to drive the motor to a given rotary position near the final point. Once there, the load position is read to find the position error and the controller commands the motor to move to a new rotary position which eliminates the position error.

Since the required accuracy is 0.5 micron, the resolution of the linear sensor should preferably be twice finer. A linear sensor with a resolution of 0.25 micron allows a position error of +/-2 counts.

The dual-loop approach requires the resolution of the rotary sensor to be equal or better than that of the linear system. Assuming that the pitch of the lead screw is 2.5mm (approximately 10 turns per inch), a rotary encoder of 2500 lines per turn or 10,000 count per revolution results in a rotary resolution of 0.25 micron. This results in equal resolution on both linear and rotary sensors.

To illustrate the control method, assume that the rotary encoder is used as a feedback for the X-axis, and that the linear sensor is read and stored in the variable LINPOS. Further assume that at the start, both the position of X and the value of LINPOS are equal to zero. Now assume that the objective is to move the linear load to the position of 1000.

The first step is to command the X motor to move to the rotary position of 1000. Once it arrives we check the position of the load. If, for example, the load position is 980 counts, it implies that a correction of 20 counts must be made. However, when the X-axis is commanded to be at the position of 1000, suppose that the actual position is only 995, implying that X has a position error of 5 counts, which will be eliminated once the motor settles. This implies that the correction needs to be only 15 counts, since 5 counts out of the 20 would be corrected by the X-axis. Accordingly, the motion correction should be:

$$\text{Correction} = \text{Load Position Error} - \text{Rotary Position Error}$$

The correction can be performed a few times until the error drops below +/-2 counts. Often, this is performed in one correction cycle.

<b>Instruction</b>	<b>Interpretation</b>
#A	Label
DP0	Define starting positions as zero
linpos=0	
PR 1000	Required distance
BGA	Start motion
#B	
AMA	Wait for completion
WT 50	Wait 50 msec
linpos = _DEA	Read linear position

```
er=1000- linpos - _TEA
JP #C,@ABS[er]<2
PR er
BGA
JP #B
#C
EN
```

```
Find the correction
Exit if error is small
Command correction

Repeat the process
```

# Chapter 8 Hardware & Software Protection

---

## Introduction

The DMC-21x2/21x3 provides several hardware and software features to check for error conditions and to inhibit the motor on error. These features help protect the various system components from damage.

**WARNING: Machinery in motion can be dangerous! It is the responsibility of the user to design effective error handling and safety protection as part of the machine. Since the DMC-21x2/21x3 is an integral part of the machine, the engineer should design his overall system with protection against a possible component failure on the DMC-21x2/21x3. Galil shall not be liable or responsible for any incidental or consequential damages.**

---

## Hardware Protection

The DMC-21x2/21x3 includes hardware input and output protection lines for various error and mechanical limit conditions. These include:

### Output Protection Lines

**Amp Enable** - This signal goes low when the motor off command is given, when the position error exceeds the value specified by the Error Limit (ER) command, or when off on error condition is enabled (OE1) and the abort command is given. Each axis amplifier has separate amplifier enable lines. This signal also goes low when the watch-dog timer is activated, or upon reset.

**NOTE:** The standard configuration of the AEN signal is TTL active low. Both the polarity and the amplitude can be changed if you are using the ICM-2900/ICM-20100/ICM-20105 interface board. To make these changes, see section entitled 'Amplifier Interface' on pg 53.

**Error Output** - The error output is a TTL signal which indicates on error condition in the controller. This signal is available on the interconnect module as ERROR. When the error signal is low, this indicates on of the following error conditions.

1. At least one axis has a position error greater than the error limit. The error limit is set by using the command ER.
2. The reset line on the controller is held low or is being affected by noise.
3. There is a failure on the controller and the processor is resetting itself.
4. There is a failure with the output IC which drives the error signal.

## Input Protection Lines

**General Abort**- A low input stops commanded motion instantly without a controlled deceleration. For any axis in which the Off On Error function is enabled, the amplifiers will be disabled. This could cause the motor to ‘coast’ to a stop. If the Off On Error function is not enabled, the motor will instantaneously stop and servo at the current position. The Off On Error function is further discussed in this chapter.

**Selective Abort** - The controller can be configured to provide an individual abort for each axis. Activation of the selective abort signal will act the same as the Abort Input but only on the specific axis. To configure the controller for selective abort, issue the command CN,,,1. This configures the inputs 5,6,7,8,13,14,15,16 to act as selective aborts for axes A,B,C,D,E,F,G,H respectively.

**Forward Limit Switch** - Low input inhibits motion in forward direction. If the motor is moving in the forward direction when the limit switch is activated, the motion will decelerate and stop. In addition, if the motor is moving in the forward direction, the controller will automatically jump to the limit switch subroutine, #LIMSWI (if such a routine has been written by the user). The CN command can be used to change the polarity of the limit switches.

**Reverse Limit Switch** - Low input inhibits motion in reverse direction. If the motor is moving in the reverse direction when the limit switch is activated, the motion will decelerate and stop. In addition, if the motor is moving in the reverse direction, the controller will automatically jump to the limit switch subroutine, #LIMSWI (if such a routine has been written by the user). The CN command can be used to change the polarity of the limit switches.

---

## Software Protection

The DMC-21x2/21x3 provides a programmable error limit. The error limit can be set for any number between 1 and 32767 using the ER n command. The default value for ER is 16384.

ER 200,300,400,500	Set A-axis error limit for 200, B-axis error limit to 300, C-axis error limit to 400 counts, D-axis error limit to 500 counts
ER,1,,10	Set B-axis error limit to 1 count, set D-axis error limit to 10 counts.

The units of the error limit are quadrature counts. The error is the difference between the command position and actual encoder position. If the absolute value of the error exceeds the value specified by ER, the DMC-21x2/21x3 will generate several signals to warn the host system of the error condition. These signals include:

SIGNAL OR FUNCTION	STATE IF ERROR OCCURS
# POSERR	Jumps to automatic excess position error subroutine

Error Light	Turns on
OE Function	Shuts motor off if OE1
AEN Output Line	Goes low

The Jump on Condition statement is useful for branching on a given error within a program. The position error of A,B,C and D can be monitored during execution using the TE command.

## Programmable Position Limits

The DMC-21x2/21x3 provides programmable forward and reverse position limits. These are set by the BL and FL software commands. Once a position limit is specified, the DMC-21x2/21x3 will not accept position commands beyond the limit. Motion beyond the limit is also prevented.

### *Example*

Instruction	Interpretation
DP0,0,0	Define Position
BL -2000,-4000,-8000	Set Reverse position limit
FL 2000,4000,8000	Set Forward position limit
JG 2000,2000,2000	Jog
BG ABC	Begin

(motion stops at forward limits)

## Off-On-Error

The DMC-21x2/21x3 controller has a built in function which can turn off the motors under certain error conditions. This function is known as 'Off-On-Error'. To activate the OE function for each axis, specify 1 for A,B,C and D axis. To disable this function, specify 0 for the axes. When this function is enabled, the specified motor will be disabled under the following 3 conditions:

1. The position error for the specified axis exceeds the limit set with the command, ER
2. The abort command is given
3. The abort input is activated with a low signal.

**NOTE:** If the motors are disabled while they are moving, they may 'coast' to a stop because they are no longer under servo control.

To re-enable the system, use the Reset (RS) or Servo Here (SH) command.

### *Example*

OE 1,1,1,1	Enable off on error for A,B,C and D
OE 0,1,0,1	Enable off on error for B and D axes, Disable off on error for A and C

## Automatic Error Routine

The #POSERR label causes the statements following to be automatically executed if error on any axis exceeds the error limit specified by ER. The error routine must be closed with the RE command. The RE command returns from the error subroutine to the main program.

**NOTE:** The Error Subroutine will be entered again unless the error condition is gone.

## Example

Instruction	Interpretation
#A;JP #A;EN	"Dummy" program
#POSERR	Start error routine on error
MG "error"	Send message
SB 1	Fire relay
STA	Stop motor
AMA	After motor stops
SHA	Servo motor here to clear error
RE	Return to main program

**NOTE:** An applications program must be executing for the #POSERR routine to function.

## Limit Switch Routine

The DMC-21x2/21x3 provides forward and reverse limit switches which inhibit motion in the respective direction. There is also a special label for automatic execution of a limit switch subroutine. The #LIMSWI label specifies the start of the limit switch subroutine. This label causes the statements following to be automatically executed if any limit switch is activated and that axis motor is moving in that direction. The RE command ends the subroutine.

The state of the forward and reverse limit switches may also be tested during the jump-on-condition statement. The `_LR` condition specifies the reverse limit and `_LF` specifies the forward limit. A,B,C, or D following LR or LF specifies the axis. The CN command can be used to configure the polarity of the limit switches.

## Example

Instruction	Interpretation
#A;JP #A;EN	Dummy Program
#LIMSWI	Limit Switch Utility
v1=_LFA	Check if forward limit
v2=_LRA	Check if reverse limit
JP#LF,v1=0	Jump to #LF if forward
JP#LR,v2=0	Jump to #LR if reverse
JP#END	Jump to end
#LF	#LF
MG "FORWARD LIMIT"	Send message
STX;AMA	Stop motion
PR-1000;BGA;AMA	Move in reverse
JP#END	End
#LR	#LR
MG "REVERSE LIMIT"	Send message
STX;AMA	Stop motion
PR1000;BGA;AMA	Move forward
#END	End
RE	Return to main program

**NOTE:** An applications program must be executing for #LIMSWI to function.

## Amplifier Error Routine

The DMC-21x3 can be used with an AMP-20440 200W brush-type amplifier or an AMP-20540 500W brushless/brush-type amplifier. The Controller can communicate to the AMP-20540 module via SPI, and various amplifier error states can be monitored. If there is an overcurrent, overvoltage, undervoltage, or Hall input error, the application program will jump to the #AMPERR automatic subroutine. Once the routine is running, the user can program conditional statements to alert the operator to the amplifier error, shut off the amplifiers, turn on the error output, etc.

<b>Instruction</b>	<b>Interpretation</b>
#A;JP #A;EN	Dummy Program
#AMPERR	Amplifier Error Utility
v1=_TA1;v2=_TA2	Set variable v1 to general amplifier; set v2 to Hall Error
IF (v2=1)	Check Hall error on X axis
MG"Hall Error on X"	Alert Operator
ENDIF	
IF (v2=2)	Check Hall error on Y axis
MG"Hall Error on Y"	Alert Operator
ENDIF	
IF (v2=4)	Check Hall error on Z axis
MG"Hall Error on Z"	Alert Operator
ENDIF	
If (v2=8)	Check Hall Error on W axis
MG"Hall Error on W"	Alert Operator
IF (v1=1)	Check for Overcurrent
MG"Overcurrent"	Alert Operator
ENDIF	
IF (v1=2)	Check for Overvoltage
MG"Overvoltage"	Alert Operator
ENDIF	
IF (v1=4)	Check for Overtemperature
MG"Too Hot!"	Alert Operator
ENDIF	
IF (v1=8)	Check for Undervoltage
MG" Voltage too low"	Alert Operator
ENDIF	
MO	Motors Off
EN	End Program

**THIS PAGE LEFT BLANK INTENTIONALLY**



# Chapter 9 Troubleshooting

---

## Overview

The following discussion may help you get your system to work.

Potential problems have been divided into groups as follows:

1. Installation
2. Communication
3. Stability and Compensation
4. Operation

The various symptoms along with the cause and the remedy are described in the following tables.

---

## Installation

SYMPTOM	CAUSE	REMEDY
Motor runs away when connected to amplifier with no additional inputs.	Amplifier offset too large.	Adjust amplifier offset
Same as above, but offset adjustment does not stop the motor.	Damaged amplifier.	Replace amplifier.
Controller does not read changes in encoder position.	Wrong encoder connections.	Check encoder wiring.
Same as above	Bad encoder	Check the encoder signals. Replace encoder if necessary.
Same as above	Bad controller	Connect the encoder to different axis input. If it works, controller failure. Repair or replace.

---

## Communication

SYMPTOM	CAUSE	REMEDY
Using terminal emulator, cannot communicate with controller.	Selected comm. port incorrect	Try another comport
Same as above	Selected baud rate incorrect	Check to be sure that baud rate same as jumper settings on controller, change as necessary.

---

## Stability

SYMPTOM	CAUSE	REMEDY
Motor runs away when the loop is closed.	Wrong feedback polarity.	Invert the polarity of the loop by inverting the motor leads (brush type) or the encoder.
Motor oscillates.	Too high gain or too little damping.	Decrease KI and KP. Increase KD.

---

## Operation

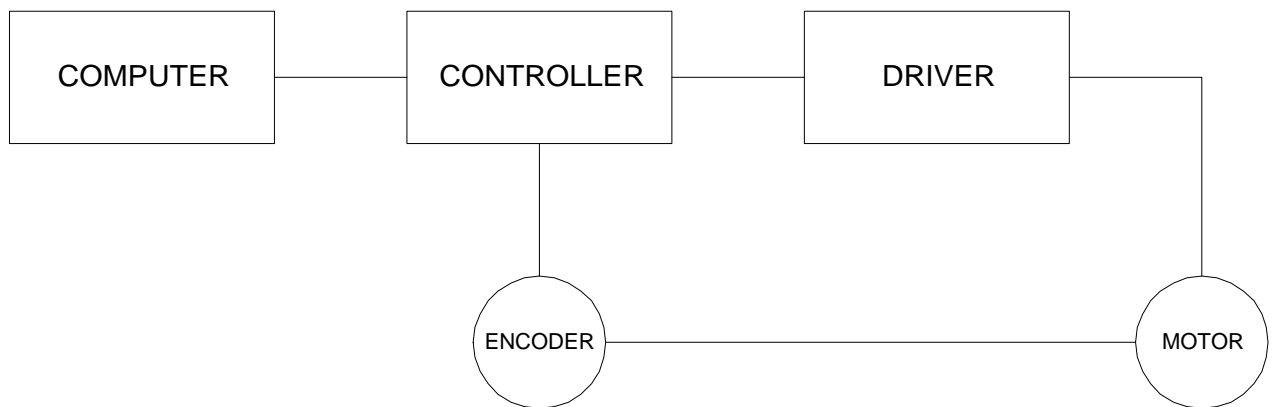
SYMPTOM	CAUSE	REMEDY
Controller rejects command. Responded with a ?	Anything.	Interrogate the cause with TC or TC1.
Motor does not complete move.	Noise on limit switches stops the motor.	To verify cause, check the stop code (SC). If caused by limit switch noise, reduce noise.
During a periodic operation, motor drifts slowly.	Encoder noise	Interrogate the position periodically. If controller states that the position is the same at different locations it implies encoder noise. Reduce noise. Use differential encoder inputs.
Same as above.	Programming error.	Avoid resetting position error at end of move with SH command.

# Chapter 10 Theory of Operation

---

## Overview

The following discussion covers the operation of motion control systems. A typical motion control system consists of the elements shown in Fig 10.1.



*Figure 10.1 - Elements of Servo Systems*

The operation of such a system can be divided into three levels, as illustrated in Fig. 10.2. The levels are:

1. Closing the Loop
2. Motion Profiling
3. Motion Programming

The first level, the closing of the loop, assures that the motor follows the commanded position. This is done by closing the position loop using a sensor. The operation at the basic level of closing the loop involves the subjects of modeling, analysis, and design. These subjects will be covered in the following discussions.

The motion profiling is the generation of the desired position function. This function,  $R(t)$ , describes where the motor should be at every sampling period. Note that the profiling and the closing of the loop are independent functions. The profiling function determines where the motor should be and the closing of the loop forces the motor to follow the commanded position

The highest level of control is the motion program. This can be stored in the host computer or in the controller. This program describes the tasks in terms of the motors that need to be controlled, the distances and the speed.

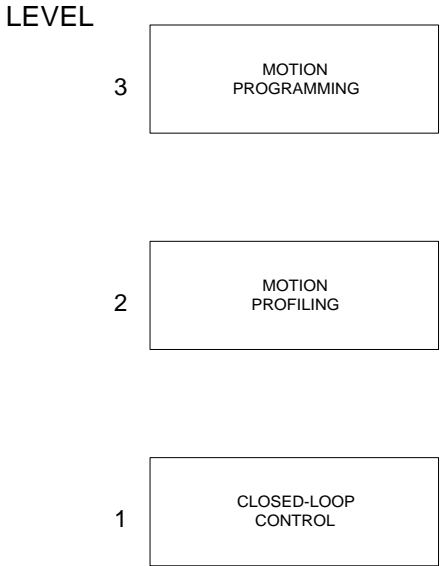


Figure 10.2 - Levels of Control Functions

The three levels of control may be viewed as different levels of management. The top manager, the motion program, may specify the following instruction, for example.

```
PR 6000,4000
SP 20000,20000
AC 200000,00000
BG A
AD 2000
BG B
EN
```

This program corresponds to the velocity profiles shown in Fig. 10.3. Note that the profiled positions show where the motors must be at any instant of time.

Finally, it remains up to the servo system to verify that the motor follows the profiled position by closing the servo loop.

The following section explains the operation of the servo system. First, it is explained qualitatively, and then the explanation is repeated using analytical tools for those who are more theoretically inclined.

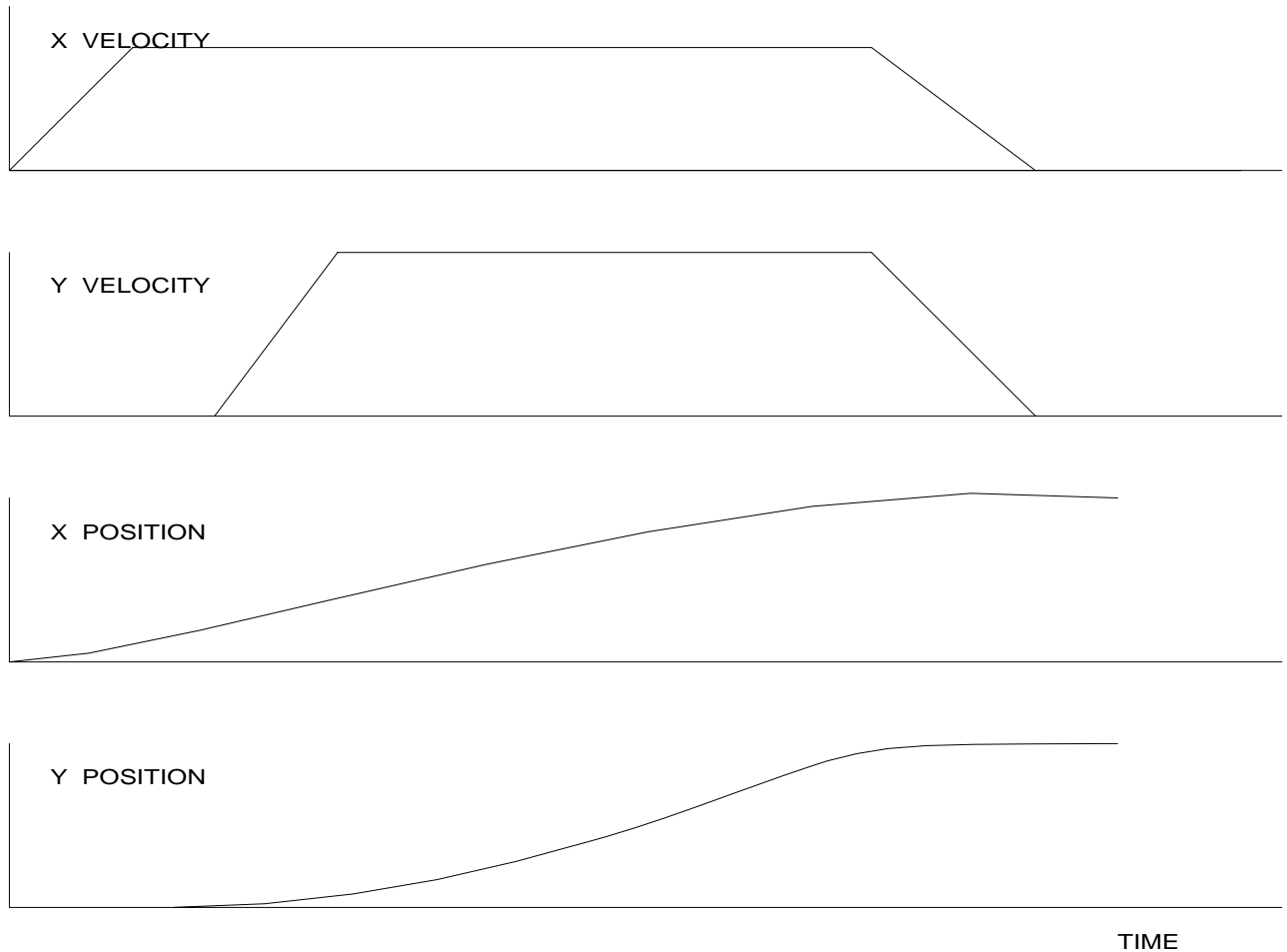


Figure 10.3 - Velocity and Position Profiles

## Operation of Closed-Loop Systems

To understand the operation of a servo system, we may compare it to a familiar closed-loop operation, adjusting the water temperature in the shower. One control objective is to keep the temperature at a comfortable level, say 90 degrees F. To achieve that, our skin serves as a temperature sensor and reports to the brain (controller). The brain compares the actual temperature, which is called the feedback signal, with the desired level of 90 degrees F. The difference between the two levels is called the error signal. If the feedback temperature is too low, the error is positive, and it triggers an action which raises the water temperature until the temperature error is reduced sufficiently.

The closing of the servo loop is very similar. Suppose that we want the motor position to be at 90 degrees. The motor position is measured by a position sensor, often an encoder, and the position feedback is sent to the controller. Like the brain, the controller determines the position error, which is the difference between the commanded position of 90 degrees and the position feedback. The controller then outputs a signal that is proportional to the position error. This signal produces a proportional current in the motor, which causes a motion until the error is reduced. Once the error becomes small, the resulting current will be too small to overcome the friction, causing the motor to stop.

The analogy between adjusting the water temperature and closing the position loop carries further. We have all learned the hard way, that the hot water faucet should be turned at the "right" rate. If you turn it too slowly, the temperature response will be slow, causing discomfort. Such a slow reaction is called overdamped response.

The results may be worse if we turn the faucet too fast. The overreaction results in temperature oscillations. When the response of the system oscillates, we say that the system is unstable. Clearly, unstable responses are bad when we want a constant level.

What causes the oscillations? The basic cause for the instability is a combination of delayed reaction and high gain. In the case of the temperature control, the delay is due to the water flowing in the pipes. When the human reaction is too strong, the response becomes unstable.

Servo systems also become unstable if their gain is too high. The delay in servo systems is between the application of the current and its effect on the position. Note that the current must be applied long enough to cause a significant effect on the velocity, and the velocity change must last long enough to cause a position change. This delay, when coupled with high gain, causes instability.

This motion controller includes a special filter which is designed to help the stability and accuracy. Typically, such a filter produces, in addition to the proportional gain, damping and integrator. The combination of the three functions is referred to as a PID filter.

The filter parameters are represented by the three constants  $K_P$ ,  $K_I$  and  $K_D$ , which correspond to the proportional, integral and derivative term respectively.

The damping element of the filter acts as a predictor, thereby reducing the delay associated with the motor response.

The integrator function, represented by the parameter  $K_I$ , improves the system accuracy. With the  $K_I$  parameter, the motor does not stop until it reaches the desired position exactly, regardless of the level of friction or opposing torque.

The integrator also reduces the system stability. Therefore, it can be used only when the loop is stable and has a high gain.

The output of the filter is applied to a digital-to-analog converter (DAC). The resulting output signal in the range between +10 and -10 Volts is then applied to the amplifier and the motor.

The motor position, whether rotary or linear is measured by a sensor. The resulting signal, called position feedback, is returned to the controller for closing the loop.

The following section describes the operation in a detailed mathematical form, including modeling, analysis and design.

## System Modelling

The elements of a servo system include the motor, driver, encoder and the controller. These elements are shown in Fig. 10.4. The mathematical model of the various components is given below.

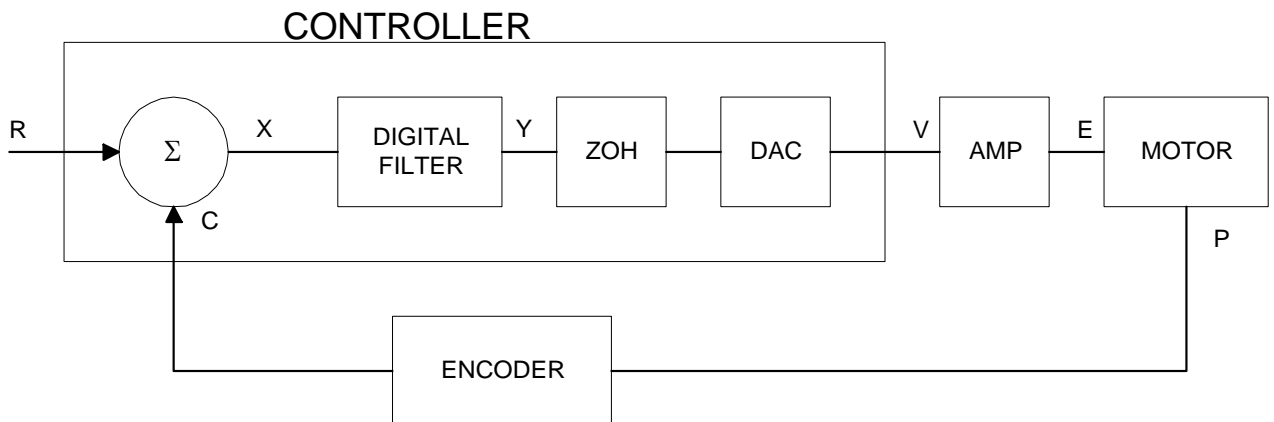


Figure 10.4 - Functional Elements of a Motion Control System

## Motor-Amplifier

The motor amplifier may be configured in three modes:

1. Voltage Drive
2. Current Drive
3. Velocity Loop

The operation and modeling in the three modes is as follows:

### *Voltage Drive*

The amplifier is a voltage source with a gain of  $K_v$  [V/V]. The transfer function relating the input voltage,  $V$ , to the motor position,  $P$ , is

$$P/V = K_v / [K_t S(ST_m + 1)(ST_e + 1)]$$

where

$$T_m = RJ / K_t^2 \quad [s]$$

and

$$T_e = L/R \quad [s]$$

and the motor parameters and units are

$K_t$	Torque constant [Nm/A]
$R$	Armature Resistance $\Omega$
$J$	Combined inertia of motor and load [kg.m <sup>2</sup> ]
$L$	Armature Inductance [H]

When the motor parameters are given in English units, it is necessary to convert the quantities to MKS units. For example, consider a motor with the parameters:

$$K_t = 14.16 \text{ oz} \cdot \text{in}/\text{A} = 0.1 \text{ Nm}/\text{A}$$

$$R = 2 \Omega$$

$$J = 0.0283 \text{ oz} \cdot \text{in} \cdot \text{s}^2 = 2.10^{-4} \text{ kg} \cdot \text{m}^2$$

$$L = 0.004 \text{ H}$$

Then the corresponding time constants are

$$T_m = 0.04 \text{ sec}$$

and

$$T_e = 0.002 \text{ sec}$$

Assuming that the amplifier gain is  $K_v = 4$ , the resulting transfer function is

$$P/V = 40 / [s(0.04s+1)(0.002s+1)]$$

### *Current Drive*

The current drive generates a current  $I$ , which is proportional to the input voltage,  $V$ , with a gain of  $K_a$ . The resulting transfer function in this case is

$$P/V = K_a K_t / J s^2$$

where  $K_t$  and  $J$  are as defined previously. For example, a current amplifier with  $K_a = 2 \text{ A/V}$  with the motor described by the previous example will have the transfer function:

$$P/V = 1000/s^2 \quad [\text{rad/V}]$$

If the motor is a DC brushless motor, it is driven by an amplifier that performs the commutation. The combined transfer function of motor amplifier combination is the same as that of a similar brush motor, as described by the previous equations.

**Velocity Loop**

The motor driver system may include a velocity loop where the motor velocity is sensed by a tachometer and is fed back to the amplifier. Such a system is illustrated in Fig. 10.5. Note that the transfer function between the input voltage  $V$  and the velocity  $\omega$  is:

$$\omega /V = [K_a K_t /Js] / [1 + K_a K_t K_g /Js] = 1 / [K_g (sT_1 + 1)]$$

where the velocity time constant,  $T_1$ , equals

$$T_1 = J / K_a K_t K_g$$

This leads to the transfer function

$$P/V = 1 / [K_g s (sT_1 + 1)]$$

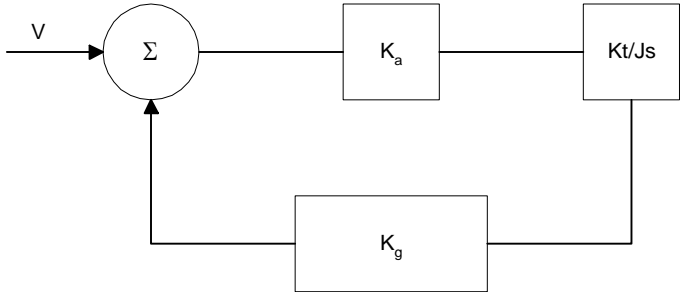
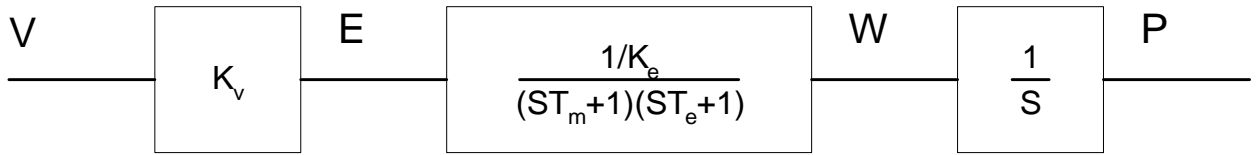


Figure 10.5 - Elements of velocity loops

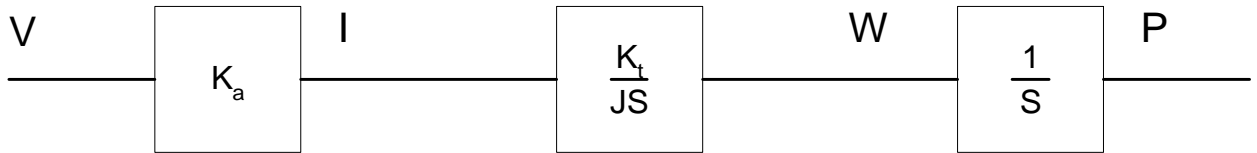
The resulting functions derived above are illustrated by the block diagram of Fig. 10.6.



## VOLTAGE SOURCE



## CURRENT SOURCE



## VELOCITY LOOP

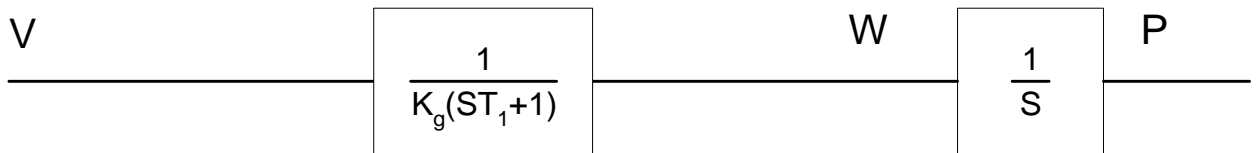


Figure 10.6 - Mathematical model of the motor and amplifier in three operational modes

### Encoder

The encoder generates  $N$  pulses per revolution. It outputs two signals, Channel A and B, which are in quadrature. Due to the quadrature relationship between the encoder channels, the position resolution is increased to  $4N$  quadrature counts/rev.

The model of the encoder can be represented by a gain of

$$K_f = 4N/2\pi \quad [\text{count/rad}]$$

For example, a 1000 lines/rev encoder is modelled as

$$K_f = 638$$

## DAC

The DAC or D-to-A converter converts a 16-bit number to an analog voltage. The input range of the numbers is 65536 and the output voltage range is +/-10V or 20V. Therefore, the effective gain of the DAC is

$$K = 20/65536 = 0.0003 \quad [\text{V/count}]$$

## Digital Filter

The digital filter has three elements in series: PID, low-pass and a notch filter. The transfer function of the filter. The transfer function of the filter elements are:

$$\text{PID} \quad D(z) = \frac{K(Z - A)}{Z} + \frac{CZ}{Z - 1}$$

$$\text{Low-pass} \quad L(z) = \frac{1 - B}{Z - B}$$

$$\text{Notch} \quad N(z) = \frac{(Z - z)(Z - \bar{z})}{(Z - p)(Z - \bar{p})}$$

The filter parameters, K, A, C and B are selected by the instructions KP, KD, KI and PL, respectively. The relationship between the filter coefficients and the instructions are:

$$K = (KP + KD) \cdot 4$$

$$A = KD/(KP + KD)$$

$$C = KI/2$$

$$B = PL$$

The PID and low-pass elements are equivalent to the continuous transfer function G(s).

$$G(s) = (P + sD + I/s) \cdot a/(S+a)$$

$$P = 4KP$$

$$D = 4T \cdot KD$$

$$I = KI/2T$$

$$a = 1/T \ln(1/B)$$

where T is the sampling period.

For example, if the filter parameters of the DMC-21x2/21x3 are

$$K_P = 4$$

$$K_D = 36$$

$$K_I = 2$$

$$P_L = 0.75$$

$$T = 0.001 \text{ s}$$

the digital filter coefficients are

$$K = 160$$

$$A = 0.9$$

$$C = 1$$

$$a = 250 \text{ rad/s}$$

and the equivalent continuous filter,  $G(s)$ , is

$$G(s) = [16 + 0.144s + 1000/s] * 250 / (s+250)$$

The notch filter has two complex zeros,  $Z$  and  $z$ , and two complex poles,  $P$  and  $p$ .

The effect of the notch filter is to cancel the resonance affect by placing the complex zeros on top of the resonance poles. The notch poles,  $P$  and  $p$ , are programmable and are selected to have sufficient damping. It is best to select the notch parameters by the frequency terms. The poles and zeros have a frequency in Hz, selected by the command NF. The real part of the poles is set by NB and the real part of the zeros is set by NZ.

The most simple procedure for setting the notch filter, identify the resonance frequency and set NF to the same value. Set NB to about one half of NF and set NZ to a low value between zero and 5.

## ZOH

The ZOH, or zero-order-hold, represents the effect of the sampling process, where the motor command is updated once per sampling period. The effect of the ZOH can be modeled by the transfer function

$$H(s) = 1/(1+sT/2)$$

If the sampling period is  $T = 0.001$ , for example,  $H(s)$  becomes:

$$H(s) = 2000/(s+2000)$$

However, in most applications,  $H(s)$  may be approximated as one.

This completes the modeling of the system elements. Next, we discuss the system analysis.

## System Analysis

To analyze the system, we start with a block diagram model of the system elements. The analysis procedure is illustrated in terms of the following example.

Consider a position control system with the DMC-21x2/21x3 controller and the following parameters:

$K_t = 0.1$	Nm/A	Torque constant
$J = 2.10^{-4}$	kg.m <sup>2</sup>	System moment of inertia
$R = 2$	$\Omega$	Motor resistance
$K_a = 4$	Amp/Volt	Current amplifier gain
$K_P = 12.5$		Digital filter gain
$K_D = 245$		Digital filter zero
$K_I = 0$		No integrator
$N = 500$	Counts/rev	Encoder line density
$T = 1$	ms	Sample period

The transfer function of the system elements are:

Motor

$$M(s) = P/I = K_t/Js^2 = 500/s^2 \text{ [rad/A]}$$

Amp

$$K_a = 4 \text{ [Amp/V]}$$

DAC

$$K_d = 0.0003 \text{ [V/count]}$$

Encoder

$$K_f = 4N/2\pi = 318 \text{ [count/rad]}$$

ZOH

$$2000/(s+2000)$$

Digital Filter

$$K_P = 12.5, K_D = 245, T = 0.001$$

Therefore,

$$D(z) = 1030 (z-0.95)/Z$$

Accordingly, the coefficients of the continuous filter are:

$$P = 50$$

$$D = 0.98$$

The filter equation may be written in the continuous equivalent form:

$$G(s) = 50 + 0.98s = .098 (s+51)$$

The system elements are shown in Fig. 10.7.

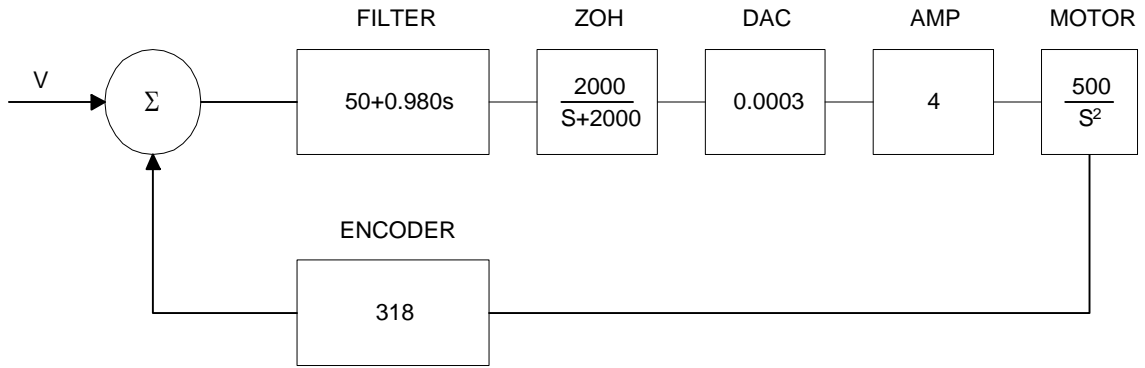


Figure 10.7 - Mathematical model of the control system

The open loop transfer function,  $A(s)$ , is the product of all the elements in the loop.

$$A = 390,000 (s+51)/[s^2(s+2000)]$$

To analyze the system stability, determine the crossover frequency,  $\omega_c$  at which  $A(j \omega_c)$  equals one. This can be done by the Bode plot of  $A(j \omega_c)$ , as shown in Fig. 10.8.

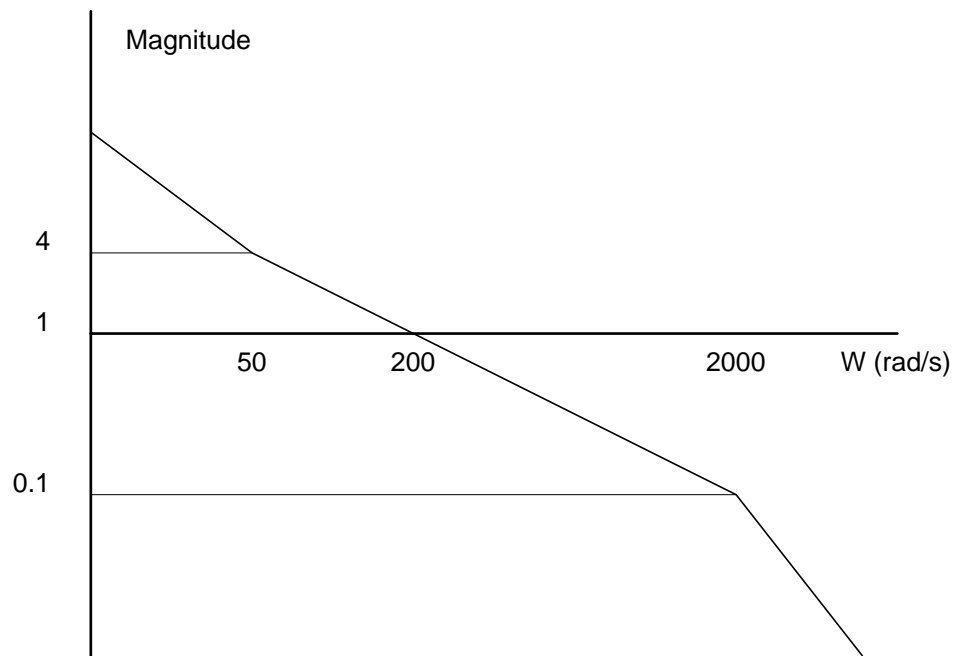


Figure 10.8 - Bode plot of the open loop transfer function

For the given example, the crossover frequency was computed numerically resulting in 200 rad/s.

Next, we determine the phase of  $A(s)$  at the crossover frequency.

$$A(j200) = 390,000 (j200+51)/[(j200)^2 \cdot (j200 + 2000)]$$

$$\alpha = \text{Arg}[A(j200)] = \tan^{-1}(200/51) - 180^\circ - \tan^{-1}(200/2000)$$

$$\alpha = 76^\circ - 180^\circ - 6^\circ = -110^\circ$$

Finally, the phase margin, PM, equals

$$PM = 180^\circ + \alpha = 70^\circ$$

As long as PM is positive, the system is stable. However, for a well damped system, PM should be between 30 degrees and 45 degrees. The phase margin of 70 degrees given above indicated overdamped response.

Next, we discuss the design of control systems.

## System Design and Compensation

The closed-loop control system can be stabilized by a digital filter, which is preprogrammed in the DMC-21x2/21x3 controller. The filter parameters can be selected by the user for the best compensation. The following discussion presents an analytical design method.

### The Analytical Method

The analytical design method is aimed at closing the loop at a crossover frequency,  $\omega_c$ , with a phase margin PM. The system parameters are assumed known. The design procedure is best illustrated by a design example.

Consider a system with the following parameters:

$K_t$	Nm/A	Torque constant
$J = 2 \cdot 10^{-4}$	kg.m <sup>2</sup>	System moment of inertia
$R = 2$	$\Omega$	Motor resistance
$K_a = 2$	Amp/Volt	Current amplifier gain
$N = 1000$	Counts/rev	Encoder line density

The DAC of the DMC-21x2/21x3 outputs +/-10V for a 14-bit command of +/-8192 counts.

The design objective is to select the filter parameters in order to close a position loop with a crossover frequency of  $\omega_c = 500$  rad/s and a phase margin of 45 degrees.

The first step is to develop a mathematical model of the system, as discussed in the previous system.

Motor

$$M(s) = P/I = K_t/Js^2 = 1000/s^2$$

Amp

$$K_a = 2 \quad [\text{Amp/V}]$$

DAC

$$K_d = 10/32768 = .0003$$

Encoder

$$K_f = 4N/2\pi = 636$$

ZOH

$$H(s) = 2000/(s+2000)$$

Compensation Filter

$$G(s) = P + sD$$

The next step is to combine all the system elements, with the exception of  $G(s)$ , into one function,  $L(s)$ .

$$L(s) = M(s) K_a K_d K_f H(s) = 3.17 \cdot 10^6 / [s^2(s+2000)]$$

Then the open loop transfer function,  $A(s)$ , is

$$A(s) = L(s) G(s)$$

Now, determine the magnitude and phase of  $L(s)$  at the frequency  $\omega_c = 500$ .

$$L(j500) = 3.17 \cdot 10^6 / [(j500)^2 (j500+2000)]$$

This function has a magnitude of

$$|L(j500)| = 0.00625$$

and a phase

$$\text{Arg}[L(j500)] = -180^\circ - \tan^{-1}(500/2000) = -194^\circ$$

$G(s)$  is selected so that  $A(s)$  has a crossover frequency of 500 rad/s and a phase margin of 45 degrees.

This requires that

$$|A(j500)| = 1$$

$$\text{Arg}[A(j500)] = -135^\circ$$

However, since

$$A(s) = L(s) G(s)$$

then it follows that  $G(s)$  must have magnitude of

$$|G(j500)| = |A(j500)/L(j500)| = 160$$

and a phase

$$\text{arg}[G(j500)] = \text{arg}[A(j500)] - \text{arg}[L(j500)] = -135^\circ + 194^\circ = 59^\circ$$

In other words, we need to select a filter function  $G(s)$  of the form

$$G(s) = P + sD$$

so that at the frequency  $\omega_c = 500$ , the function would have a magnitude of 160 and a phase lead of 59 degrees.

These requirements may be expressed as:

$$|G(j500)| = |P + (j500D)| = 160$$

and

$$\text{arg}[G(j500)] = \tan^{-1}[500D/P] = 59^\circ$$

The solution of these equations leads to:

$$P = 160 \cos 59^\circ = 82.4$$

$$500D = 160 \sin 59^\circ = 137$$

Therefore,

$$D = 0.274$$

and

$$G = 82.4 + 0.2744s$$

The function G is equivalent to a digital filter of the form:

$$D(z) = 4KP + 4KD(1-z^{-1})$$

where

$$P = 4 * KP$$

$$D = 4 * KD * T$$

and

$$4 * KD = D/T$$

Assuming a sampling period of T=1ms, the parameters of the digital filter are:

$$KP = 20.6$$

$$KD = 68.6$$

The DMC-21x2/21x3 can be programmed with the instruction:

$$KP \ 20.6$$

$$KD \ 68.6$$

In a similar manner, other filters can be programmed. The procedure is simplified by the following table, which summarizes the relationship between the various filters.

### ***Equivalent Filter Form***

	DMC-21x2/21x3
Digital	$D(z) = [K(z-A/z) + Cz/(z-1)] * (1-B)/(Z-B)$
Digital	$D(z) = [4 KP + 4 KD(1-z^{-1}) + KI/2(1-z^{-1})] * (1-B)/(Z-B)$
KP, KD, KI, PL	$K = (KP + KD) * 4$
	$A = KD/(KP+KD)$
	$C = KI/2$
	$B = PL$
Continuous	$G(s) = (P + Ds + I/s) * a/S+a$
PID, T	$P = 4 KP$
	$D = 4 T * KD$
	$I = KI/2T$
	$a = 1/T \ln (1/PL)$



# Appendices

---

## Electrical Specifications

### Servo Control

ACMD Amplifier Command:

+/-10 Volts analog signal. Resolution 16-bit DAC or .0003 Volts. 3 mA maximum

A+,A-,B+,B-,IDX+,IDX- Encoder and Auxiliary

TTL compatible, but can accept up to +/-12 Volts. Quadrature phase on CHA,CHB. Can accept single-ended (A+,B+ only) or differential (A+,A-,B+,B-). Maximum A,B edge rate: 12 MHz. Minimum IDX pulse width: 80 nsec.

### Stepper Control

Pulse

TTL (0-5 Volts) level at 50% duty cycle. 3,000,000 pulses/sec maximum frequency

Direction

TTL (0-5 Volts)

### Input / Output

Limit Switch Inputs, Home Inputs.

IN[1] thru IN[8] Uncommitted Inputs and Abort Input

IN[9] thru IN[16] Uncommitted Inputs (DMC-2152 through DMC-2182 only)

TTL (0-5 Volts). Pulled up internally to 5VDC through 4.7kOhm resistor. Ground input to change state.

OUT[1] thru OUT[8] Outputs:

TTL (0-5Volts)

OUT[9] thru OUT[16] Outputs:

TTL (0-5Volts)

(DMC-2152/3 through DMC-2182/3 only)

IN[81], IN[82]

Auxiliary Encoder Inputs for A (X) axis. Line Receiver Inputs - accepts differential or single ended voltages with voltage range of +/- 12 Volts.

IN[83], IN[84]

(DMC-2122/3 through DMC-2182/3 only)

Auxiliary Encoder Inputs for B (Y) axis. Line Receiver Inputs - accepts differential or single ended voltages with voltage range of +/- 12 Volts.

IN[85], IN[86] (DMC-2132/3 through DMC-2182/3 only)	Auxiliary Encoder Inputs for C (Z) axis. Line Receiver Inputs - accepts differential or single ended voltages with voltage range of +/- 12 Volts.
IN[87], IN[88] (DMC-2142/3 through DMC-2182/3 only)	Auxiliary Encoder Inputs for D (W) axis. Line Receiver Inputs - accepts differential or single ended voltages with voltage range of +/- 12 Volts.
IN[89], IN[90] (DMC-2152/3 through DMC-2182/3 only)	Auxiliary Encoder Inputs for E axis. Line Receiver Inputs - accepts differential or single ended voltages with voltage range of +/- 12 Volts.
IN[91], IN[92] (DMC-2162/3 through DMC-2182/3 only)	Auxiliary Encoder Inputs for F axis. Line Receiver Inputs - accepts differential or single ended voltages with voltage range of +/- 12 Volts.
IN[93], IN[94] (DMC-2172/3 through DMC-2182/3 only)	Auxiliary Encoder Inputs for G axis. Line Receiver Inputs - accepts differential or single ended voltages with voltage range of +/- 12 Volts.
IN[95], IN[96] (DMC-2182/3 only)	Auxiliary Encoder Inputs for H axis. Line Receiver Inputs - accepts differential or single ended voltages with voltage range of +/- 12 Volts.

### Power (Molex 26-03-4061)

+5V	1.1 A
+12V	40 mA
-12V	40 mA

---

## Performance Specifications

### Minimum Servo Loop Update Time:

	Normal	Fast Firmware
DMC-2112 / 2113	250 $\mu$ sec	125 $\mu$ sec
DMC-2122 / 2123	250 $\mu$ sec	125 $\mu$ sec
DMC-2132 / 2133	375 $\mu$ sec	250 $\mu$ sec
DMC-2142 / 2143	375 $\mu$ sec	250 $\mu$ sec
DMC-2152 / 2153	500 $\mu$ sec	375 $\mu$ sec
DMC-2162 / 2163	500 $\mu$ sec	375 $\mu$ sec
DMC-2172 / 2173	625 $\mu$ sec	500 $\mu$ sec
DMC-2182 / 2183	625 $\mu$ sec	500 $\mu$ sec

Position Accuracy: +/-1 quadrature count

Velocity Accuracy:

Long Term

Phase-locked, better than .005%

Short Term	System dependent
Position Range:	+/-2147483647 counts per move
Velocity Range:	Up to 12,000,000 counts/sec servo; 3,000,000 pulses/sec-stepper
Velocity Resolution:	2 counts/sec
Motor Command Resolution:	16 bit or 0.0003 V
Variable Range:	+/-2 billion
Variable Resolution:	$1 \cdot 10^{-4}$
Array Size:	8000 elements, 30 arrays
Program Size:	1000 lines x 80 characters

---

## Fast Update Rate Mode

The DMC-21x2/21x3 can operate with much faster servo update rates. This mode is known as 'fast mode' and allows the controller to operate with the following update rates:

1-2 axis	125 usec
3-4 axis	250 usec
5-6 axis	375 usec
7-8 axis	500 usec

In order to run the DMC-21x2/21x3 motion controller in fast mode, the fast firmware must be uploaded. This can be done through the Galil terminal software such as Galil SmartTerminal and WSDK. The fast firmware can be downloaded from the Galil website. To set the update rate use command TM.

When the controller is operating with the fast firmware, the following functions are **disabled**:

- Gearing mode
- Ecam mode
- Pole (PL)
- Analog Feedback (AF)
- Stepper Motor Operation (MT 2,-2,2.5,-2.5)
- Trippoints in thread 2-8
- Tell Velocity Interrogation Command (TV)
- Aux Encoders (TD)
- Dual Velocity (DV)
- Peak Torque Limit (TK)
- Notch Filter (NB, NF, NZ )

- Gearing m
- Ecam mod
- Pole (PL)
- Stepper M
- Trippoints
- Tell Veloc

## Connectors for DMC-21x2 and DMC-21x3 Main Boards

### DMC-21x2 Axes A-D High Density Connector J4

1 nc	51 nc
2 gnd	52 gnd
3 5v	53 5v
4 error output	54 nc
5 reset	55 home W
6 encoder-compare output	56 reverse limit W
7 gnd	57 forward limit W
8 gnd	58 home Z
9 motor command W	59 reverse limit Z
10 sign W / dir W	60 forward limit Z
11 pwm W / step W	61 home Y
12 motor command Z	62 reverse limit Y
13 sign Z / dir Z	63 forward limit Y
14 pwm Z / step Y	64 home X
15 motor command Y	65 reverse limit X
16 sign Y / dir Y	66 forward limit X
17 pwm Y / step Y	67 gnd
18 motor command X	68 5v
19 sign X / dir X	69 nc
20 pwm X / step X	70 latch X
21 amp enable W	71 latch Y
22 amp enable Z	72 latch Z
23 amp enable y	73 latch W
24 amp enable X	74 input 5
25 A+X	75 input 6
26 A- X	76 input 7
27 B+X	77 input 8
28 B-X	78 abort
29 I+X	79 output 1
30 I-X	80 output 2
31 A+Y	81 output 3
32 A-Y	82 output 4
33 B+Y	83 output 5
34 B-Y	84 output 6
35 I+Y	85 output 7
36 I-Y	86 output 8
37 A+Z	87 5v

38 A-Z	88 gnd
39 B+Z	89 gnd
40 B-Z	90 gnd
41 I+Z	91 AA+X
42 I-Z	92 AA- X
43 A+W	93 AB+X
44 A-W	94 AB-X
45 B+W	95 AA+Y
46 B-W	96 AA- Y
47 I+W	97 AB+Y
48 I-W	98 AB-Y
49 +12V	99 -12v
50 +12V	100 -12v

### DMC-21x2 Axes E-H High Density Connector J5

1 nc	51 nc
2 gnd	52 gnd
3 5v	53 5v
4 error output	54 nc
5 reset	55 home H
6 encoder-compare output	56 reverse limit H
7 gnd	57 forward limit H
8 gnd	58 home G
9 motor command H	59 reverse limit G
10 sign H / dir H	60 forward limit G
11 pwm H / step H	61 home F
12 motor command G	62 reverse limit F
13 sign G / dir G	63 forward limit F
14 pwm G / step G	64 home E
15 motor command F	65 reverse limit E
16 sign F / dir F	66 forward limit E
17 pwm F / step F	67 gnd
18 motor command E	68 5v
19 sign E / dir E	69 nc
20 pwm E / step E	70 latch E
21 amp enable H	71 latch F
22 amp enable G	72 latch G
23 amp enable F	73 latch H
24 amp enable E	74 input 13
25 A+E	75 input 14
26 A- E	76 input 15

27 B+E	77 input 16
28 B-E	78 abort
29 I+E	79 output 9
30 I-E	80 output 10
31 A+F	81 output 11
32 A-F	82 output 12
33 B+F	83 output 13
34 B-F	84 output 14
35 I+F	85 output 15
36 I-F	86 output 16
37 A+G	87 5v
38 A-G	88 gnd
39 B+G	89 gnd
40 B-G	90 gnd
41 I+G	91 AA+E
42 I-G	92 AA- E
43 A+H	93 AB+E
44 A-H	94 AB-E
45 B+H	95 AA+F
46 B-H	96 AA- F
47 I+H	97 AB+F
48 I-H	98 AB-F
49 +12V	99 -12v
50 +12V	100 -12v

### DMC-21x3 Axes A-D 96 Pin DIN Connector J4

1 gnd	33 gnd	65 gnd
2 pwm W / step W	34 sign W / dir W	66 motor command W
3 pwm Z / step Z	35 sign Z / dir Z	67 motor command Z
4 pwm Y / step Y	36 sign Y / dir Y	68 motor command Y
5 pwm X / step X	37 sign X / dir X	69 motor command X
6 amp enable W	38 gnd	70 encoder-compare output
7 amp enable X	39 amp enable Y	71 amp enable Z
8 home W	40 reverse limit W	72 forward limit W
9 home Z	41 reverse limit Z	73 forward limit Z
10 home Y	42 reverse limit Y	74 forward limit Y
11 home X	43 reverse limit X	75 forward limit X
12 latch X	44 latch Y	76 latch Z
13 latch W	45 input 5	77 input 6
14 input 7	46 input 8	78 abort

15 output 3	47 output 2	79 output 1
16 output 5	48 gnd	80 output 4
17 output 8	49 output 7	81 output 6
18 A+X	50 A-X	82 B+X
19 B-X	51 I+X	83 I-X
20 A+Y	52 A-Y	84 B+Y
21 B-Y	53 I+Y	85 I-Y
22 A+Z	54 A-Z	86 B+Z
23 B-Z	55 I+Z	87 I-Z
24 A+W	56 A-W	88 B+W
25 B-W	57 I+W	89 I-W
26 gnd	58 gnd	90 gnd
27 AA+X	59 AA-X	91 AB+X
28 AB-X	60 AA+Y	92 AA-Y
29 AB+Y	61 AB-Y	93 AA+Z
30 AB+Z	62 AA+W	94 error output
31 -12V	63 reset	95 12V
32 5V	64 5V	96 5V

### DMC-21x3 Axes E-H 96 Pin DIN Connector J5

1 gnd	33 gnd	65 gnd
2 pwm H / step H	34 sign H / dir H	66 motor command H
3 pwm G / step G	35 sign G / dir G	67 motor command G
4 pwm F / step F	36 sign F / dir F	68 motor command F
5 pwm E / step E	37 sign E / dir E	69 motor command E
6 amp enable H	38 gnd	70 encoder-compare output
7 amp enable E	39 amp enable F	71 amp enable G
8 home H	40 reverse limit H	72 forward limit H
9 home G	41 reverse limit G	73 forward limit G
10 home F	42 reverse limit F	74 forward limit F
11 home E	43 reverse limit E	75 forward limit E
12 latch E	44 latch F	76 latch G
13 latch H	45 input 13	77 input 14
14 input 15	46 input 16	78 abort
15 output 11	47 output 10	79 output 9
16 output 13	48 gnd	80 output 12
17 output 16	49 output 15	81 output 14
18 A+E	50 A-E	82 B+E
19 B-E	51 I+E	83 I-E
20 A+F	52 A-F	84 B+F
21 B-F	53 I+F	85 I-F
22 A+G	54 A-G	86 B+G

23 B-G	55 I+G	87 I-G
24 A+H	56 A-H	88 B+H
25 B-H	57 I+H	89 I-H
26 gnd	58 gnd	90 gnd
27 AA+E	59 AA-E	91 AB+E
28 AB-E	60 AA+F	92 AA-F
29 AB+F	61 AB-F	93 AA+G
30 AB+G	62 AA+H	94 error output
31 -12V	63 reset	95 12V
32 5V	64 5V	96 5V

### DMC-21x2/21x3 Auxiliary Encoders C-D IDC pins JP6

1 5V
2 GND
3 +AAZ
4 -AAZ
5 +ABZ
6 -ABZ
7 +AAW
8 -AAW
9 +ABW
10 -ABW

### DMC-21x2/21x3 Auxiliary Encoders G-H IDC pins JP8

1 5V
2 GND
3 +AAG
4 -AAG
5 +ABG
6 -ABG
7 +AAH
8 -AAH
9 +ABH
10 -ABH



## RS-232 Serial Port

Standard connector and cable, 9Pin Male D-sub

Pin	Signal
1	CTS – OUTPUT
2	Transmit data-output
3	Receive data-input
4	RTS – input
5	Gnd
6	CTS – output
7	RTS – input
8	CTS – output
9	Nc

## Ethernet

100 BASE-T/10 BASE-T - Kycon GS-NS-88-3.5

Pin	Signal
1	TXP
2	TXN
3	RXP
4	NC
5	NC
6	RXN
7	NC
8	NC

## 96-pin Motor, Encoder, and I/O Connectors

96-pin Connector Orientation	DMC-21x3 Connector (male) for Reference	Daughter PCB Mating Connector (Female)
RA	Robinson Nugent: DIN-96CPC-SR1-TR	3M: 7396-50C2TH
UP	AMP: 650908-5	AMP: 535090-4
DN	AMP: 650908-5	AMP: 535090-4

## Mating Power Connectors

	6-pin female 5, +/-12 V Connector	4-pin female Connector for DC-to-DC Converter	Pins for Connectors
Molex Part Number	26-03-4061	26-03-4041	08-50-0189

## Cable Connections for DMC-21x2/21x3

The DMC-21x2/21x3 requires the transmit, receive, handshake lines and ground for all communication rates. The connection tables below contain the handshake lines. These descriptions and tables are for RS-232 only.

### *9 Pin Serial Connector (Male, D-type)*

Standard serial port connections found on most computers.

PIN NUMBER	FUNCTION
1	Carrier Detect
2	Receive Data
3	Transmit Data
4	Data Terminal Ready
5	Signal Ground
6	Data Set Ready
7	Request to Send
8	Clear to Send
9	Ring Indicator

## Pin-Out Description for DMC-21x2/21x3

### *Servo and Stepper Control*

Analog Motor Command	+/- 10 Volt range signal for driving amplifier (16bit). In servo mode, motor command output is updated at the controller sample rate. In the motor off mode, this output is held at the OF command level.
Amp Enable	Signal to disable and enable an amplifier. Direct from controller Amp Enable goes to enable amplifier. If using ICM unit, 7407 inverts signal to give a High Amp Enable, 7406 chip gives Low Amp Enable.
PWM/STEP OUT	PWM/STEP OUT is used for directly driving power bridges for DC servo motors or for driving step motor amplifiers. For servo motors: If you are using a conventional amplifier that accepts a +/-10 Volt analog signal, this pin is not used and should be left open. The PWM output is available in two formats: Inverter and Sign Magnitude. In the Inverter mode, the PWM signal is .2% duty cycle for full negative voltage, 50% for 0 Voltage and 99.8% for full positive voltage (25kHz switching frequency). In the Sign Magnitude Mode (Jumper SM), the PWM signal is 0% for 0 Voltage, 99.6% for full voltage and the sign of the Motor Command is available at the sign output (50 kHz switching frequency).
PWM/STEP OUT	For steppermotors: The STEP OUT pin produces a series of pulses for input to a step motor driver. The pulses may either be low or high. The pulse width is 50%. Upon Reset, the output will be low if the SM jumper is on. If the SM jumper is not on, the output will be Tristate.

Sign/Direction	Used with PWM signal to give the sign of the motor command for servo amplifiers or direction for step motors.
Error	The signal goes low when the position error on any axis exceeds the value specified by the error limit command, ER.
Output 1-Output 8 Output 9-Output 16 (DMC-2152 thru 2182)	These 8 TTL outputs are uncommitted and may be designated by the user to toggle relays and trigger external events. The output lines are toggled by Set Bit, SB, and Clear Bit, CB, instructions. The OP instruction is used to define the state of all the bits of the Output port.

## *Inputs*

Encoder, A+, B+	Position feedback from incremental encoder with two channels in quadrature, CHA and CHB. The encoder may be analog or TTL. Any resolution encoder may be used as long as the maximum frequency does not exceed 12,000,000 quadrature states/sec. The controller performs quadrature decoding of the encoder signals resulting in a resolution of quadrature counts (4 x encoder cycles). <b>NOTE:</b> Encoders that produce outputs in the format of pulses and direction may also be used by inputting the pulses into CHA and direction into Channel B and using the CE command to configure this mode.
Encoder Index, I+	Once-Per-Revolution encoder pulse. Used in Homing sequence or Find Index command to define home on an encoder index.
Encoder, A-, B-, I-	Differential inputs from encoder. May be input along with CHA, CHB for noise immunity of encoder signals. The CHA- and CHB- inputs are optional.
Auxiliary Encoder, Aux A+, Aux B+, Aux I+, Aux A-, Aux B-, Aux I-	Inputs for additional encoder. Used when an encoder on both the motor and the load is required. Not available on axes configured for step motors.
Abort	A low input stops commanded motion instantly without a controlled deceleration. Also aborts motion program.
Reset	A low input resets the state of the processor to its power-on condition. The previously saved state of the controller, along with parameter values, and saved sequences are restored.
Forward Limit Switch	When active, inhibits motion in forward direction. Also causes execution of limit switch subroutine, #LIMSWI. The polarity of the limit switch may be set with the CN command.
Reverse Limit Switch	When active, inhibits motion in reverse direction. Also causes execution of limit switch subroutine, #LIMSWI. The polarity of the limit switch may be set with the CN command.
Home Switch	Input for Homing (HM) and Find Edge (FE) instructions. Upon BG following HM or FE, the motor accelerates to slew speed. A transition on this input will cause the motor to decelerate to a stop. The polarity of the Home Switch may be set with the CN command.

Input 1 - Input 8 Input 9 - Input 16	Uncommitted inputs. May be defined by the user to trigger events. Inputs are checked with the Conditional Jump instruction and After Input instruction or Input Interrupt. Input 1 is latch A, Input 2 is latch B, Input 3 is latch C and Input 4 is latch D if the high speed position latch function is enabled.
Latch	High speed position latch to capture axis position in less than 1 micro-second on occurrence of latch signal. AL command arms latch. Input 1 is latch A, Input 2 is latch B, Input 3 is latch C and Input 4 is latch D. Input 9 is latch E, input 10 is latch F, input 11 is latch G, input 12 is latch H.

## Jumper Description for DMC-21x2/21x3

Jumper	Label	Function (If jumpered)
JPxx	+ABW/EROUT	Select whether to send error output to pin +ABW on JP6
JP13	+ABH/-ERST	Select whether to send external reset to pin +ABH on JP8
JP7	SM E	
	SM F	
	SM G	
	SM H	
	OPT	Reserved
JP5	SMX	For each axis, the SM jumper selects the SM
	SMY	magnitude mode for servo motors or selects
	SMZ	stepper motors. If you are using stepper
	SMW	motors, SM must always be jumpered. The Analog command is not valid with SM jumpered.
	MO	Controller will force all axes to Motor Off state upon Reset
JP3	BDM	Reserved
JP2	MRST	Master Reset enable. Returns controller to factory default settings and erases EEPROM. Requires power-on or RESET to be activated.
JP2	UPGRADE	Used to upgrade controller firmware when resident firmware is corrupt.
JP1	*	Reserved

# LED Description

Color	Position	Name	Turns on when:
Red	Upper Left	Error	Turns on in two cases: (1) When one or more axes has the following error (TE>ER) (2) A hardware failure occurred (consult factory)
Yellow	Upper Right	Activity	Data is being transmitted or received on the Ethernet
Green	Lower Left	Power	5 VDC power is applied to the board
Green	Lower Right	Link	A proper Ethernet cable is connected between the controller and another Ethernet device. Use a crossover cable when connecting to another controller or PC and a straight-thru cable when connecting to a hub.

# Dimensions for DMC-21x2

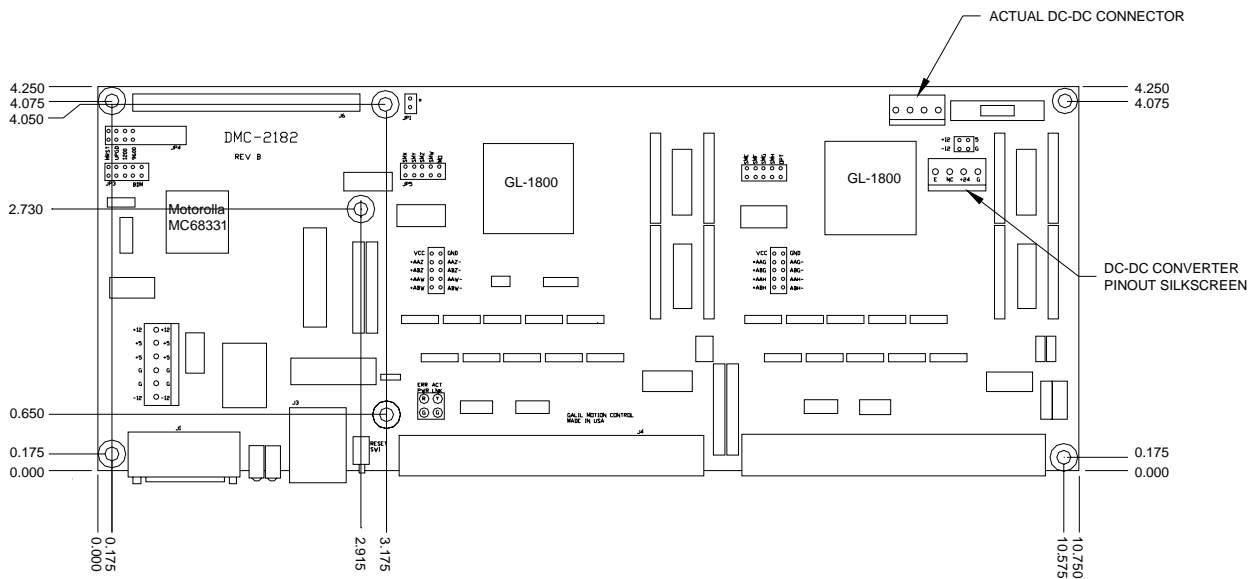


Figure A-1-DMC- 215x –DMC- 218x Board Dimension

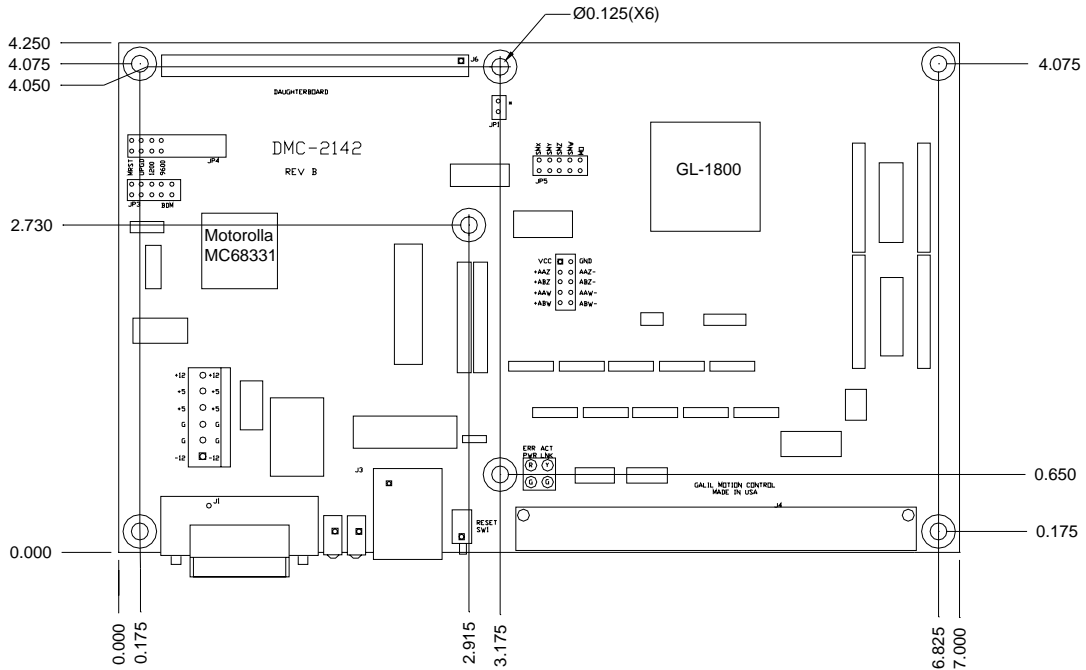


Figure A-2 - DMC-211x – DMC-214x Board Dimensions

## Accessories and Options

DMC-21x2, DMC-21x3	1- 8 axis motion controllers where x specifies the number of axes
DB-28040	Daughterboard for Extended I/O
CABLE-100-1M	100-pin high density cable, 1 meter
CABLE-100-4M	100-pin high density cable, 4 meter
CB-50-100	50-pin to 100-pin converter board, includes two 50-pin ribbon cables
ICM-1900	Interconnect module
-LAEN	Option for ICM-1900
-OPTO	Option for ICM-1900
-OPTOHC	Option for ICM-1900
AMP-19x0	Interconnect module with 1 - 4 brush motor amplifiers where x specifies the number of amplifiers.
-OPTO	Option for AMP-19x0 Provides Opto0isolation for digital outputs
-OPTOHC	Option for AMP-19x0
ICM-2900	Interconnect module with detachable screw terminal
-LAEN	Option for ICM-2900 Provides Active Low Amplifier Enable Signal
-FL	Option for ICM-2900 where the ICM-2900 includes flanges for rack mounting
-ST	ICM-2900 module with screw terminal
-OPTO	Option for AMP-19x0 Provides Opto0isolation for digital outputs
-OPTOHC	Option for AMP-19x0 - Provides High Current Opto-isolation for digital outputs
Galil CD-ROM:	

DMC SmartTERM	Smart Terminal Window with Program Editor and Syntax Help
WSDK-32	Servo Design Kit for Windows 95 / 98 / NT (Password Required)
ActiveX Tool Kit	Visual Basic™ Tool Kit (includes VBXs and OCXs) (Password Required)
CAD-to-DMC	AutoCAD <sup>R</sup> DXF translator (Password Required)
MCS	Motion Control Selector. Utility for motor / amplifier sizing.
HPGL	HPGL translator (Password Required)

## ICM-2900 Interconnect Module for DMC-21x2

The ICM-2900 interconnect module provides easy connections between the DMC-21x2 series controllers and other system elements, such as amplifiers, encoders, and external switches. The ICM-2900 accepts the 100-pin high density main cable and provides terminal blocks for connections. Each terminal is labeled for quick connection of system elements. The ICM-2900 provides access to the signals for up to 4 axes (Two required for 5 or more axes).

Block (4 PIN)	Label	I/O	Description
1	MOCMDZ	O	Z axis motor command to amp input (w / respect to ground)
1	SIGNZ	O	Z axis sign output for input to stepper motor amp
1	PWMZ	O	Z axis pulse output for input to stepper motor amp
1	GND	O	Signal Ground
2	MOCMDW	O	W axis motor command to amp input (w / respect to ground)
2	SIGNW	O	W axis sign output for input to stepper motor amp
2	PWMW	O	W axis pulse output for input to stepper motor amp
2	GND	O	Signal Ground
3	MOCMDX	O	X axis motor command to amp input (w / respect to ground)
3	SIGNX	O	X axis sign output for input to stepper motor amp
3	PWMX	O	X axis pulse output for input to stepper motor amp
3	GND	O	Signal Ground
4	MOCMDY	O	Y axis motor command to amp input (w / respect to ground)
4	SIGNY	O	Y axis sign output for input to stepper motor amp
4	PWMY	O	Y axis pulse output for input to stepper motor amp
4	GND	O	Signal Ground
5	OUT PWR	I	Isolated Power In for Opto-Isolation Option
5	ERROR	O	Error output
5	CMP	O	Circular Compare Output
5	OUT GND	O	Isolated Ground for Opto-Isolation Option
6	AMPENW	O	W axis amplifier enable
6	AMPENZ	O	Z axis amplifier enable
6	AMPENY	O	Y axis amplifier enable

6	AMPENX	O	X axis amplifier enable
7	OUT5	O	General Output 5
7	OUT6	O	General Output 6
7	OUT7	O	General Output 7
7	OUT8	O	General Output 8
8	OUT1	O	General Output 1
8	OUT2	O	General Output 2
8	OUT3	O	General Output 3
8	OUT4	O	General Output 4
9	+5V	O	+ 5 Volts
9	HOMEZ	I	Z axis home input
9	RLSZ	I	Z axis reverse limit switch input
9	FLSZ	I	Z axis forward limit switch input
10	LSCOM	I	Limit Switch Common Input
10	HOMEW	I	W axis home input
10	RLSW	I	W axis reverse limit switch input
10	FLSW	I	W axis forward limit switch input
11	HOMEX	I	X axis home input
11	RLSX	I	X axis reverse limit switch input
11	FLSX	I	X axis forward limit switch input
11	GND	O	Signal Ground
12	HOMEY	I	Y axis home input
12	RLSY	I	Y axis reverse limit switch input
12	FLSY	I	Y axis forward limit switch input
12	GND	O	Signal Ground
13	IN5	I	Input 5
13	IN6	I	Input 6
13	IN7	I	Input 7
13	IN8	I	Input 8
14	XLATCH	I	Input 1 (Used for X axis latch input)
14	YLATCH	I	Input 2 (Used for Y axis latch input)
14	ZLATCH	I	Input 3 (Used for Z axis latch input)
14	WLATCH	I	Input 4 (Used for W axis latch input)
15	+5V	O	+ 5 Volts
15	+12V	O	+12 Volts
15	-12V	O	-12 Volts
15	ANA GND	O	nc
16	INCOM	I	Input Common For General Use Inputs
16	ABORT	I	Abort Input
16	RESET	I	Reset Input
16	GND	O	Signal Ground
17	ANALOG5	I	Y Auxiliary encoder A+



17	ANALOG6	I	Y Auxiliary encoder A-
17	ANALOG7	I	Y Auxiliary encoder B+
17	ANALOG8	I	Y Auxiliary encoder B-
18	ANALOG1	I	X Auxiliary encoder A+
18	ANALOG2	I	X Auxiliary encoder A-
18	ANALOG3	I	X Auxiliary encoder B+
18	ANALOG4	I	X Auxiliary encoder B-
19	+5V	O	+ 5Volts
19	+INX	I	X Main encoder Index +
19	-INX	I	X Main encoder Index -
19	GND	O	Signal Ground
20	+MAX	I	X Main encoder A+
20	-MAX	I	X Main encoder A-
20	+MBX	I	X Main encoder B+
20	-MBX	I	X Main encoder B-
21	+5V	O	+ 5Volts
21	+INY	I	Y Main encoder Index +
21	-INY	I	Y Main encoder Index -
21	GND	O	Signal Ground
22	+MAY	I	Y Main encoder A+
22	-MAY	I	Y Main encoder A-
22	+MBY	I	Y Main encoder B+
22	-MBY	I	Y Main encoder B-
23	+5V	O	+ 5Volts
23	+INZ	I	Z Main encoder Index +
23	-INZ	I	Z Main encoder Index -
23	GND	O	Signal Ground
24	+MAZ	I	Z Main encoder A+
24	-MAZ	I	Z Main encoder A-
24	+MBZ	I	Z Main encoder B+
24	-MBZ	I	Z Main encoder B-
25	+5V	O	+ 5Volts
25	+INW	I	W Main encoder Index +
25	-INW	I	W Main encoder Index -
25	GND	O	Signal Ground
26	+MAW	I	W Main encoder A+
26	-MAW	I	W Main encoder A-
26	+MBW	I	W Main encoder B+
26	-MBW	I	W Main encoder B-

# ICM-2900 Drawing:

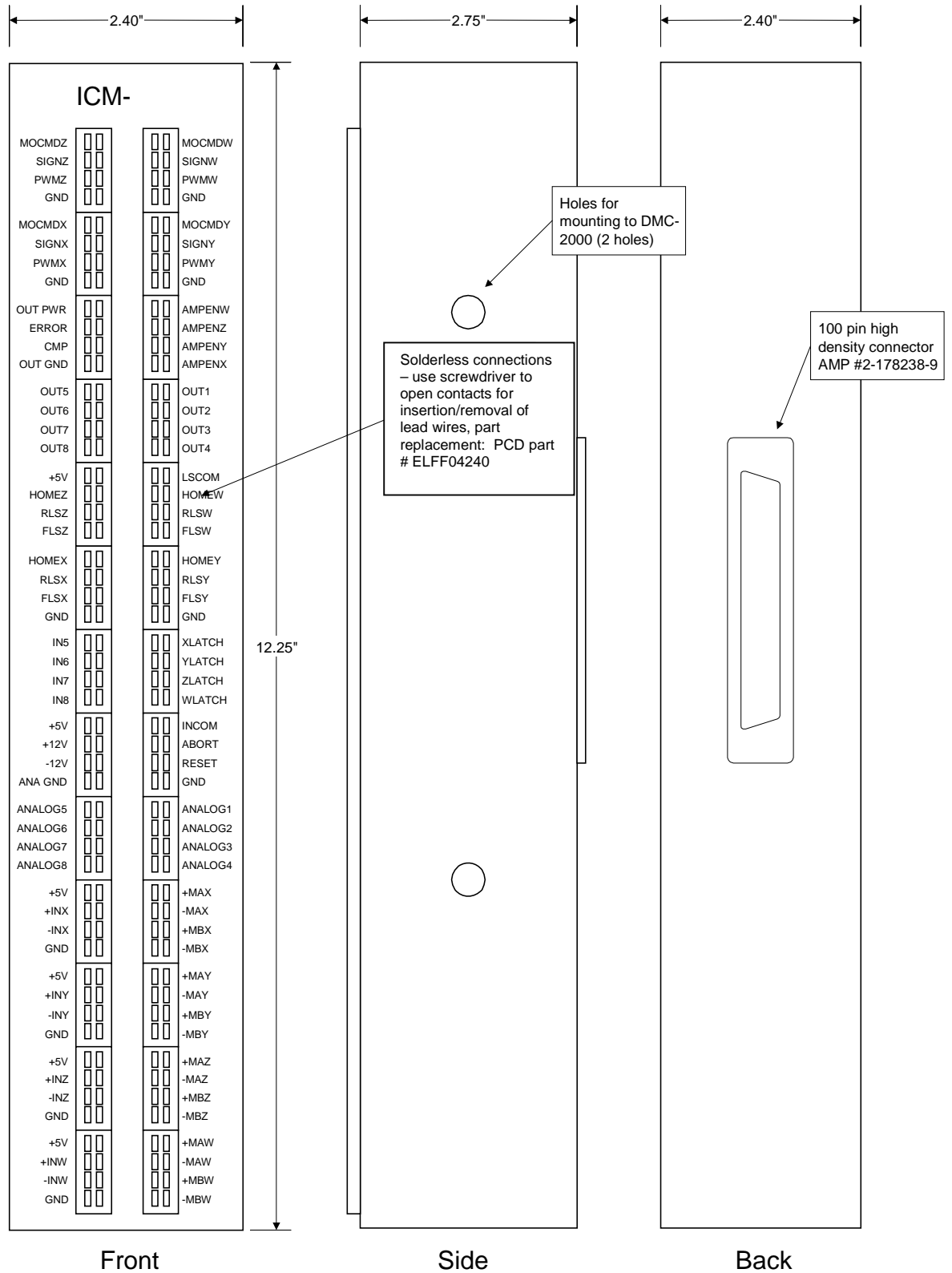


Figure A-3 - ICM-2900 Dimensions

# PCB Layout of the ICM-2900:

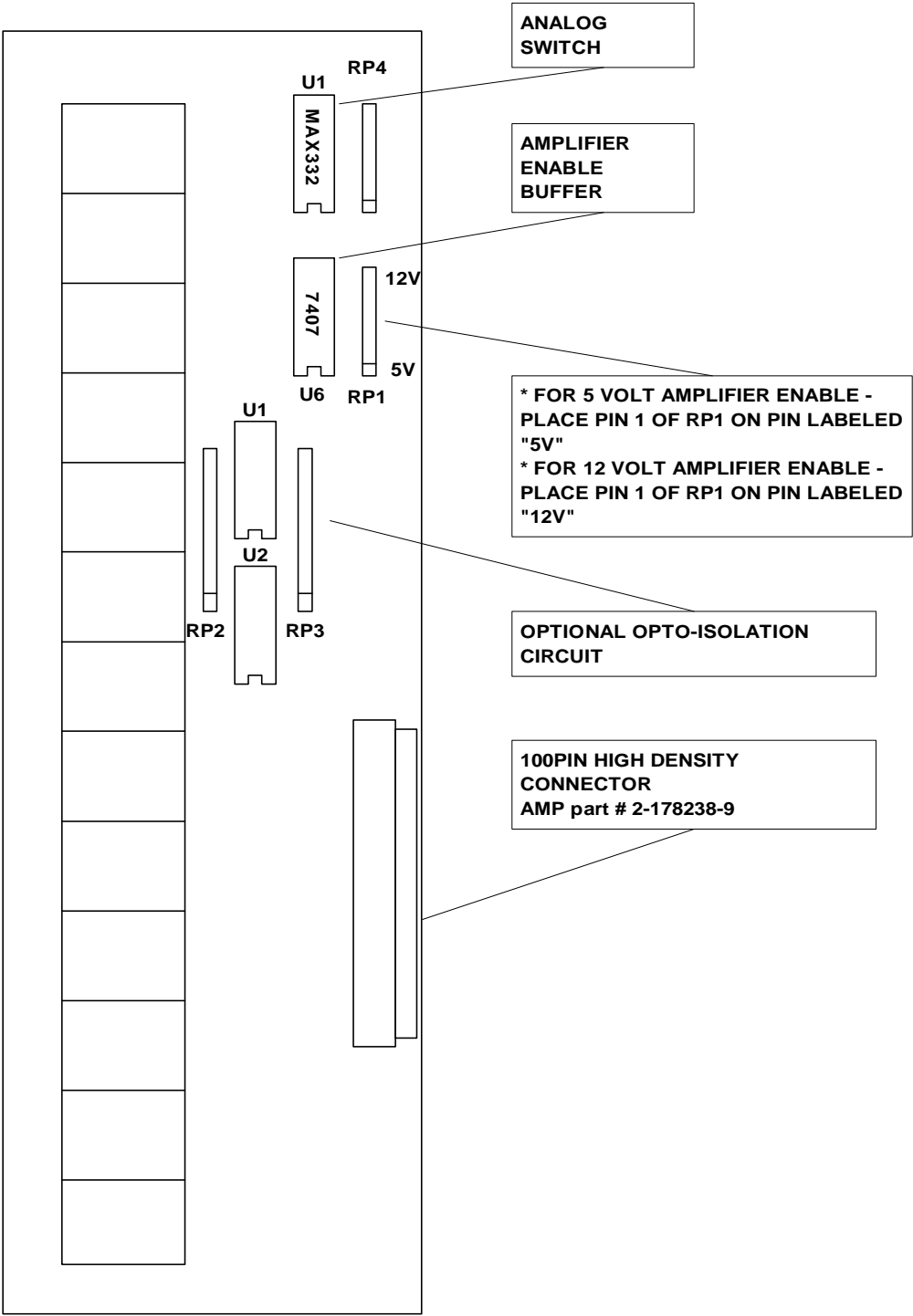


Figure A-4 - ICM-2900 Board Layout

---

## ICM-1900 Interconnect Module for DMC-21x2

The ICM-1900 interconnect module provides easy connections between the DMC-21x2 series controllers and other system elements, such as amplifiers, encoders, and external switches. The ICM-1900 accepts the 100-pin main cable and 25-pin auxiliary cable and breaks them into screw-type terminals. Each screw terminal is labeled for quick connection of system elements. An ICM-1900 is required for each set of 4 axes. (Two required for DMC-2152 thru DMC-2182).

The ICM-1900 is contained in a metal enclosure. A version of the ICM-1900 is also available with servo amplifiers (see AMP-19x0).

### Features

- Separate DMC-21x2 cables into individual screw-type terminals
- Clearly identifies all terminals
- Provides jumper for connecting limit and input supplies to 5 V supply from PC
- Available with on-board servo drives (see AMP-19X0)
- Can be configured for AEN high or low

**NOTE:** The part number for the 100-pin connector is #2-178238-9 from AMP

Terminal	Label	I/O	Description
1	+AAX	I	NC
2	-AAX	I	NC
3	+ABX	I	NC
4	-ABX	I	NC
5	+AAY	I	NC
6	-AAY	I	NC
7	+ABY	I	NC
8	-ABY	I	NC
9	+AAZ	I	NC
10	-AAZ	I	NC
11	+ABZ	I	NC
12	-ABZ	I	NC
13	+AAW	I	NC
14	-AAW	I	NC
15	+ABW	I	NC
16	-ABW	I	NC
17	GND		Signal Ground
18	5V		+ 5 Volts
19	ISO OUT POWER	O	Isolated Output Power(for use with the opto-isolated output option)
20	ERROR	O	Error signal
21	RESET	I	Reset
22	CMP	O	Circular Compare output
23	MOCMDW	O	W axis motor command to amp input (w / respect to ground)

24	SIGNW	O	W axis sign output for input to stepper motor amp
25	PWMW	O	W axis pulse output for input to stepper motor amp
26	MOCMDZ	O	Z axis motor command to amp input (w / respect to ground)
27	SIGNZ	O	Z axis sign output for input to stepper motor amp
28	PWMZ	O	Z axis pulse output for input to stepper motor amp
29	MOCMDY	O	Y axis motor command to amp input (w / respect to ground)
30	SIGNY	O	Y axis sign output for input to stepper motor amp
31	PWMY	O	Y axis pulse output for input to stepper motor amp
32	MOCMDX	O	X axis motor command to amp input (w / respect to ground)
33	SIGNX	O	X axis sign output for input to stepper motor amp
34	PWMX	O	X axis pulse output for input to stepper motor amp
35	ISO OUT GND	O	Isolated Output Ground
36	5V	O	+ 5 Volts
37	AMPENW	O	W axis amplifier enable
38	AMPENZ	O	Z axis amplifier enable
39	AMPENY	O	Y axis amplifier enable
40	AMPENX	O	X axis amplifier enable
41	LSCOM	I	nc
42	HOMEW	I	W axis home input
43	RLSW	I	W axis reverse limit switch input
44	FLSW	I	W axis forward limit switch input
45	HOMEZ	I	Z axis home input
46	RLSZ	I	Z axis reverse limit switch input
47	FLSZ	I	Z axis forward limit switch input
48	HOMEY	I	Y axis home input
49	RLSY	I	Y axis reverse limit switch input
50	FLSY	I	Y axis forward limit switch input
51	HOMEX	I	X axis home input
52	RLSX	I	X axis reverse limit switch input
53	FLSX	I	X axis forward limit switch input
54	5V		+ 5 Volts
55	GND		Signal Ground
56	INCOM	I	nc
57	XLATCH	I	Input 1 (Used for X axis latch input)
58	YLATCH	I	Input 2 (Used for Y axis latch input)
59	ZLATCH	I	Input 3 (Used for Z axis latch input)
60	WLATCH	I	Input 4 (Used for W axis latch input)
61	IN5	I	Input 5
62	IN6	I	Input 6
63	IN7	I	Input 7
64	IN8	I	Input 8
65	ABORT	I	Abort Input

66	OUT1	O	Output 1
67	OUT2	O	Output 2
68	OUT3	O	Output 3
69	OUT4	O	Output 4
70	OUT5	O	Output 5
71	OUT6	O	Output 6
72	OUT7	O	Output 7
73	OUT8	O	Output 8
74	GND		Signal Ground
75	AN1	I	X Auxiliary encoder A+
76	AN2	I	X Auxiliary encoder A-
77	AN3	I	X Auxiliary encoder B+
78	AN4	I	X Auxiliary encoder B-
79	AN5	I	Y Auxiliary encoder A+
80	AN6	I	Y Auxiliary encoder A-
81	AN7	I	Y Auxiliary encoder B+
82	AN8	I	Y Auxiliary encoder B-
83	+MAX	I	X Main encoder A+
84	-MAX	I	X Main encoder A-
85	+MBX	I	X Main encoder B+
86	-MBX	I	X Main encoder B-
87	+INX	I	X Main encoder Index +
88	-INX	I	X Main encoder Index -
89	ANA GND		nc
90	5V		+ 5 Volts
91	+MAY	I	Y Main encoder A+
92	-MAY	I	Y Main encoder A-
93	+MBY	I	Y Main encoder B+
94	-MBY	I	Y Main encoder B-
95	+INY	I	Y Main encoder Index +
96	-INY	I	Y Main encoder Index -
97	+MAZ	I	Z Main encoder A+
98	-MAZ	I	Z Main encoder A-
99	+MBZ	I	Z Main encoder B+
100	-MBZ	I	Z Main encoder B-
101	+INZ	I	Z Main encoder Index +
102	-INZ	I	Z Main encoder Index -
103	GND		Signal Ground
104	5V		+ 5 Volts
105	+MAW	I	W Main encoder A+
106	-MAW	I	W Main encoder A-
107	+MBW	I	W Main encoder B+

108	-MBW	I	W Main encoder B-
109	+INW	I	W Main encoder Index +
110	-INW	I	W Main encoder Index -
111	+12V		+12 Volts
112	-12V		-12 Volts

### ICM-1900 Drawing:

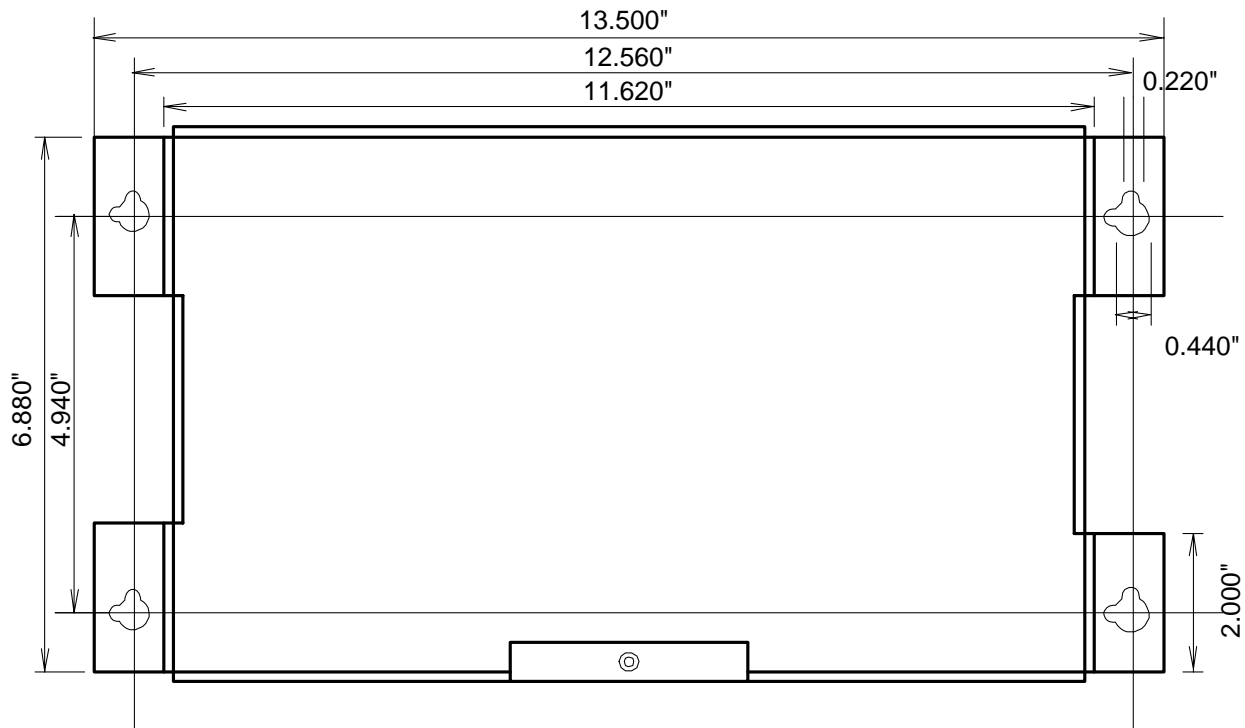


Figure A-5 - ICM-1900 Dimensions

## AMP-19x0 Mating Power Amplifiers for DMC-21x2

The AMP-19X0 series are mating, brush-type servo amplifiers for the DMC-21x2. The AMP-1910 contains 1 amplifier; the AMP-1920, 2 amplifiers; the AMP-1930, 3 amplifiers; and the AMP-1940, 4 amplifiers. Each amplifier is rated for 7 amps continuous, 10 amps peak at up to 80 V. The gain of the AMP-19X0 is 1 amp/V. The AMP-19X0 requires an external DC supply. The AMP-19X0 connects directly to the DMC-21x2, and screw-type terminals are provided for connection to motors, encoders, and external switches.

### Features

- 7 amps continuous, 10 amps peak; 20 to 80V
- Available with 1, 2, 3, or 4 amplifiers
- Connects directly to DMC-21x2 series controllers
- Screw-type terminals for easy connection to motors, encoders, and switches

- Steel mounting plate with ¼" keyholes

## Specifications

*Minimum motor inductance:* 1 mH

*PWM frequency:* 30 KHz

*Ambient operating temperature:* 0° to 70° C

*Dimensions:*

*Weight:*

*Mounting:* Keyholes – ¼" Ø

*Gain:* 1 amp/V

---

## Opto-Isolated Outputs for ICM-2900 / ICM-1900 / AMP-19x0

The ICM/AMP 1900 and ICM-2900 modules from Galil have an option for opto-isolated outputs.

### Standard Opto-Isolation and High Current Opto-isolation:

The Opto-isolation option on the ICM-1900 has 2 forms: -opto (standard) and -optohc (high current). The standard version provides outputs with 4ma drive current / output with approximately 2 usec response time. The high current version provides 25ma drive current / output with approximately 400 usec response time.

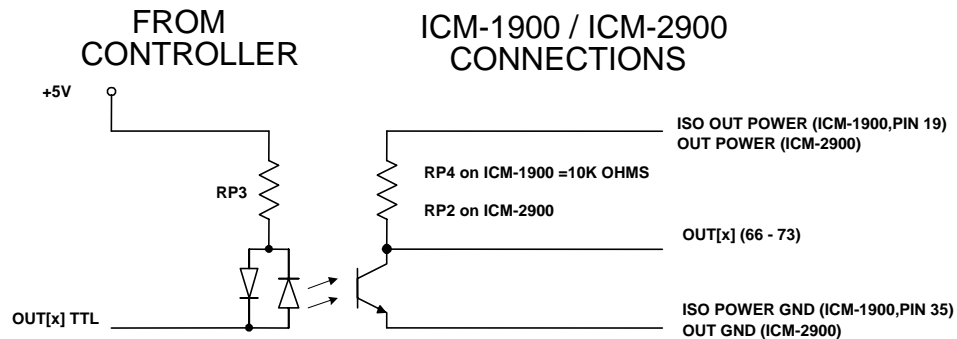


Figure A-6

The ISO OUT POWER (OUT POWER ON ICM-2900) and ISO POWER GND (OUT GND ON ICM-2900) signals should be connected to an isolated power supply. This power supply should be used only to power the outputs in order to obtain isolation from the controller. The signal "OUT[x]" is one of the isolated digital outputs where X stands for the digital output terminals.

The default configuration is for active high outputs. If active low outputs are desired, reverse RP3 in it's socket. This will tie RP3 to GND instead of VCC, inverting the sense of the outputs.

NOTE: If power is applied to the outputs with an isolated power supply but power is not applied to the controller, the outputs will float high (unable to sink current). This may present a problem when using active high logic and care should be taken. Using active low logic should avoid any problems associated with the outputs floating high.



# Configuring Amplifier Enable for ICM-2900 / ICM-1900

The ICM-1900 and ICM-2900 modules can be configured to provide an active low signal to enable external amplifiers. These modules can also be configured for voltage levels other than TTL.

## -LAEN Option:

The standard configuration of the AEN signal is TTL active high. In other words, the AEN signal will be high when the controller expects the amplifier to be enabled. The polarity can be changed when using a Galil Interconnect Module. To change the polarity from active high (5 volts = enable, zero volts = disable) to active low (zero volts = enable, 5 volts = disable), replace the socketed IC, 7407, with a 7406. These IC's are labeled U6 on the ICM-1900 and U2 on the ICM-2900 and can be accessed by removing the cover. This option can be requested when ordering the unit by specifying the -LAEN option.

## -Changing the Amplifier Enable Voltage Level:

To change the voltage level of the AEN signal, note the state of the resistor pack, labeled RP1 on the ICM-1900 / ICM-2900. When Pin 1 is on the 5V mark, the output voltage is 0-5V. To change to 12 volts, pull the resistor pack and rotate it so that Pin 1 is on the 12 volt side. If you remove the resistor pack, the output signal is an open collector, allowing the user to connect an external supply with voltages up to 24V.

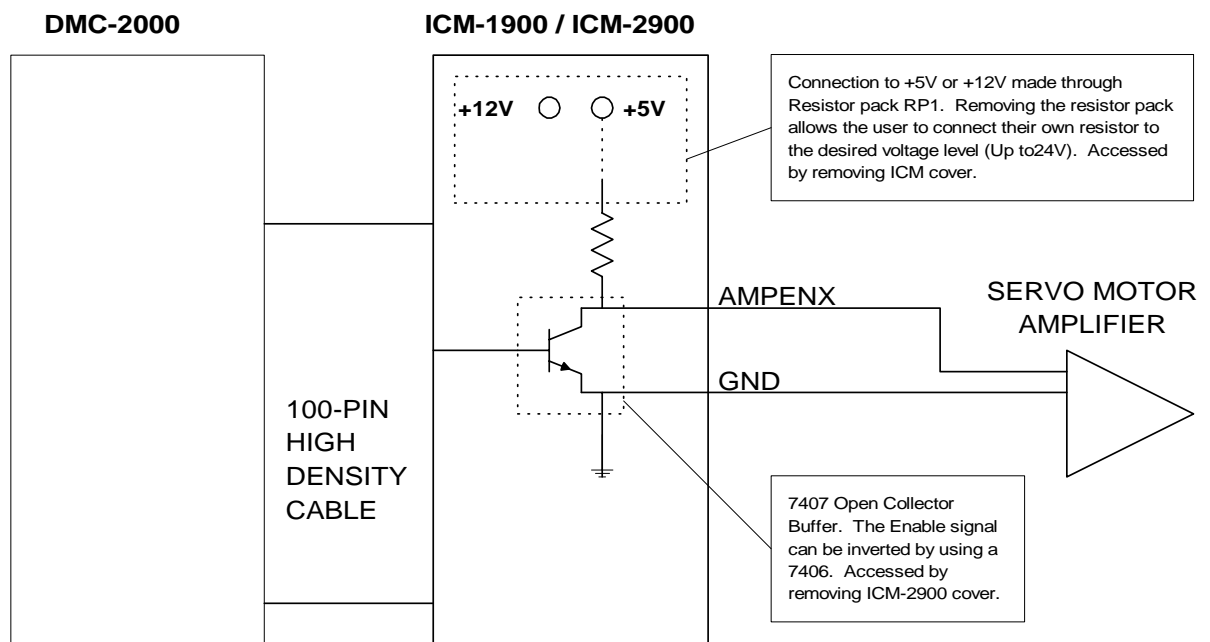


Figure A-7

## Coordinated Motion - Mathematical Analysis

The terms of coordinated motion are best explained in terms of the vector motion. The vector velocity,  $V_s$ , which is also known as the feed rate, is the vector sum of the velocities along the X and Y axes,  $V_x$  and  $V_y$ .

$$V_s = \sqrt{V_x^2 + V_y^2}$$

The vector distance is the integral of  $V_s$ , or the total distance traveled along the path. To illustrate this further, suppose that a string was placed along the path in the X-Y plane. The length of that string represents the distance traveled by the vector motion.

The vector velocity is specified independently of the path to allow continuous motion. The path is specified as a collection of segments. For the purpose of specifying the path, define a special X-Y coordinate system whose origin is the starting point of the sequence. Each linear segment is specified by the X-Y coordinate of the final point expressed in units of resolution, and each circular arc is defined by the arc radius, the starting angle, and the angular width of the arc. The zero angle corresponds to the positive direction of the X-axis and the CCW direction of rotation is positive. Angles are expressed in degrees, and the resolution is  $1/256^{\text{th}}$  of a degree. For example, the path shown in Fig. A-13 is specified by the instructions:

VP	0,10000
CR	10000, 180, -90
VP	20000, 20000

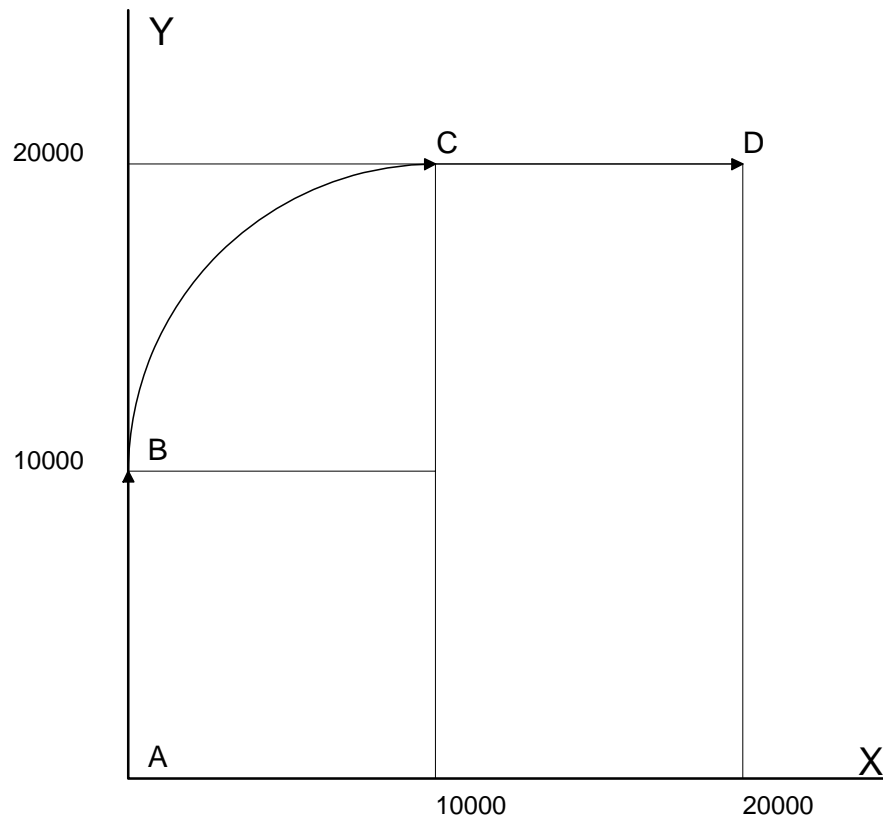


Figure A-13 - X-Y Motion Path

The first line describes the straight line vector segment between points A and B. The next segment is a circular arc, which starts at an angle of 180° and traverses -90°. Finally, the third line describes the linear segment between points C and D. Note that the total length of the motion consists of the segments:

A-B	Linear	10000 units
B-C	Circular	$\frac{R \Delta\theta 2\pi}{360} = 15708$
C-D	Linear	10000
	Total	35708 counts

In general, the length of each linear segment is

$$L_k = \sqrt{X_k^2 + Y_k^2}$$

Where  $X_k$  and  $Y_k$  are the changes in X and Y positions along the linear segment. The length of the circular arc is

$$L_k = R_k|\Delta\Theta_k|2\pi/360$$

The total travel distance is given by

$$D = \sum_{k=1}^n L_k$$

The velocity profile may be specified independently in terms of the vector velocity and acceleration.

For example, the velocity profile corresponding to the path of Fig. A-13 may be specified in terms of the vector speed and acceleration.

VS	100000
VA	2000000

The resulting vector velocity is shown in Fig. A-14

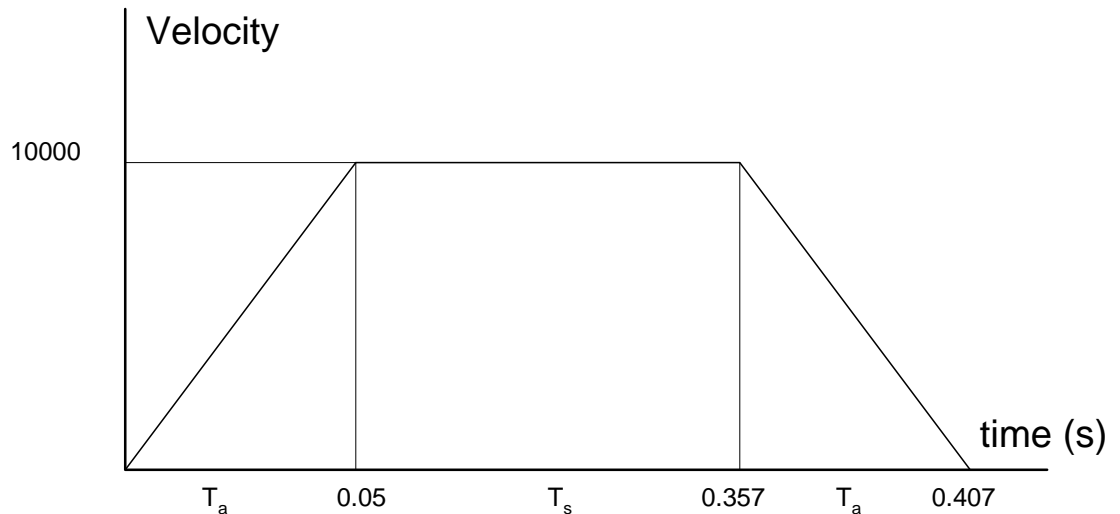


Figure A-14 - Vector Velocity Profile

The acceleration time,  $T_a$ , is given by

$$T_a = \frac{VS}{VA} = \frac{100000}{2000000} = 0.05s$$

The slew time,  $T_s$ , is given by

$$T_s = \frac{D}{VS} - T_a = \frac{35708}{100000} - 0.05 = 0.307s$$

The total motion time,  $T_t$ , is given by

$$T_t = \frac{D}{VS} + T_a = 0.407s$$

The velocities along the X and Y axes are such that the direction of motion follows the specified path, yet the vector velocity fits the vector speed and acceleration requirements.

For example, the velocities along the X and Y axes for the path shown in Fig. A-13 are given in Fig. A-15.

Fig. A-15a shows the vector velocity. It also indicates the position point along the path starting at A and ending at D. Between the points A and B, the motion is along the Y axis. Therefore,

$$V_y = V_s$$

and

$$V_x = 0$$

Between the points B and C, the velocities vary gradually and finally, between the points C and D, the motion is in the X direction.

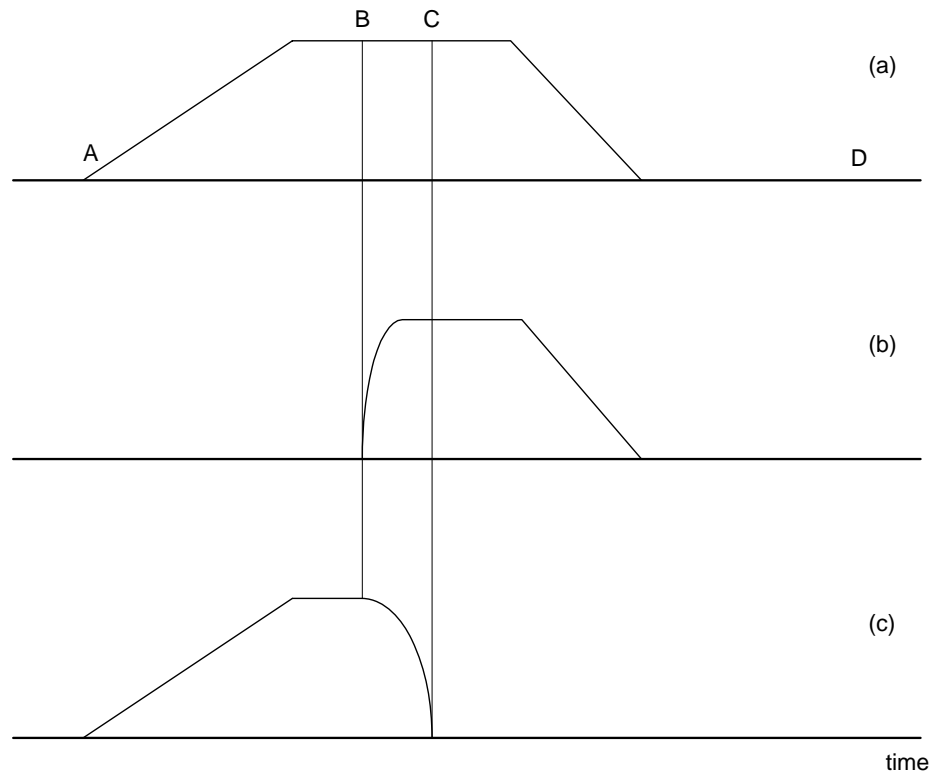


Figure A-15 - Vector and Axes Velocities

---

## Example- Communicating with OPTO-22 SNAP-B3000-ENET

Controller is connected to OPTO-22 via handle F. The OPTO-22's IP address is 131.29.50.30. The Rack has the following configuration:

Digital Inputs	Module 1
Digital Outputs	Module 2
Analog Outputs (+/-10V)	Module 3
Analog Inputs (+/-10V)	Module 4

<b>Instruction</b>	<b>Interpretation</b>
#CONFIG	Label
IHF=131,29,50,30<502>2	Establish connection
WT10	Wait 10 milliseconds
JP #CFGERR,_IHF2=0	Jump to subroutine
JS #CFGDOUT	Configure digital outputs
JS #CFGAOUT	Configure analog outputs
JS #CFGAIN	Configure analog inputs
MBF = 6,6,1025,1	Save configuration to OPTO-22
EN	End
#CFGDOUT	Label
MODULE=2	Set variable
CFGVALUE=\$180	Set variable
NUMOFIO=4	Set variable
JP #CFGJOIN	Jump to subroutine
#CFGAOUT	Label
MODULE=3	Set variable
CFGVALUE=\$A7	Set variable
NUMOFIO=2	Set variable
JP #CFGJOIN	Jump to subroutine
#CFGAIN	Label
MODULE=5	Set variable
CFGVALUE=12	Set variable
NUMOFIO=2	Set variable
JP#CFGJOIN	Jump to subroutine
#CFGJOIN	Label
DM A[8]	Dimension array
I=0	Set variable
#CFGLOOP	Loop subroutine

A[I]=0	Set array element
I=I+1	Increment
A[I]=CFGVALUE	Set array element
I=I+1	Increment
JP #CFGLOOP,I<(2*NUMOFIO)	Conditional statement
MBF=6,16,632+(MODULE*8),NUMOFIO*2,A[]	Configure I/O using Modbus function code 16 where the starting register is 632+(MODULE*8), number of registers is NUMOFIO*2 and A[] contains the data.
EN	end
#CFERR	Label
MG"UNABLE TO ESTABLISH CONNECTION"	Message
EN	End

Using the equation

$$\text{I/O number} = (\text{Handlenum} * 1000) + ((\text{Module}-1) * 4) + (\text{Bitnum}-1)$$

MG @IN[6001] display level of input at handle 6, module 1, bit 2

SB 6006 set bit of output at handle 6, module 2, bit 3

or to one

OB 6006,1

AO 608,3.6 set analog output at handle 6, module 53, bit 1 to 3.6 volts

MG @AN[6017] display voltage value of analog input at handle 6, module 5, bit 2

---

## List of Other Publications

"Step by Step Design of Motion Control Systems"

by Dr. Jacob Tal

"Motion Control Applications"

by Dr. Jacob Tal

"Motion Control by Microprocessors"

by Dr. Jacob Tal

---

## Training Seminars

Galil, a leader in motion control with over 250,000 controllers working worldwide, has a proud reputation for anticipating and setting the trends in motion control. Galil understands your need to keep abreast with these trends in order to remain resourceful and competitive. Through a series of seminars and workshops held over the past 15 years, Galil has actively shared their market insights in a no-nonsense way for a world of engineers on the move. In fact, over 10,000 engineers have attended Galil seminars. The tradition continues with three different seminar, each designed for your particular skillset-from beginner to the most advanced.

### **MOTION CONTROL MADE EASY**

#### **WHO SHOULD ATTEND**

Those who need a basic introduction or refresher on how to successfully implement servo motion control systems.

TIME: 4 hours (8:30 am-12:30 pm)

### **ADVANCED MOTION CONTROL**

#### **WHO SHOULD ATTEND**

Those who consider themselves a "servo specialist" and require an in-depth knowledge of motion control systems to ensure outstanding controller performance. Also, prior completion of "Motion Control Made Easy" or equivalent is required. Analysis and design tools as well as several design examples will be provided.

TIME: 8 hours (8:00 am-5:00 pm)

### **PRODUCT WORKSHOP**

#### **WHO SHOULD ATTEND**

Current users of Galil motion controllers. Conducted at Galil's headquarters in Rocklin, CA, students will gain detailed understanding about connecting systems elements, system tuning and motion programming. This is a "hands-on" seminar and students can test their application on actual hardware and review it with Galil specialists.

TIME: Two days (8:30 am-5:00 pm)

---

## Contacting Us

### **Galil Motion Control**

270 Technology Way

Rocklin, CA 95765

Phone: 916-626-0101

Fax: 916-626-0102

E-Mail Address: [support@galilmc.com](mailto:support@galilmc.com)

URL: [www.galilmc.com](http://www.galilmc.com)

FTP: [www.galilmc.com/ftp](http://www.galilmc.com/ftp)

---

## WARRANTY

All products manufactured by Galil Motion Control are warranted against defects in materials and workmanship. The warranty period for controller boards is 1 year. The warranty period for all other products is 180 days.

In the event of any defects in materials or workmanship, Galil Motion Control will, at its sole option, repair or replace the defective product covered by this warranty without charge. To obtain warranty service, the defective product must be returned within 30 days of the expiration of the applicable warranty period to Galil Motion Control, properly packaged and with transportation and insurance prepaid. We will reship at our expense only to destinations in the United States.

Any defect in materials or workmanship determined by Galil Motion Control to be attributable to customer alteration, modification, negligence or misuse is not covered by this warranty.

EXCEPT AS SET FORTH ABOVE, GALIL MOTION CONTROL WILL MAKE NO WARRANTIES EITHER EXPRESSED OR IMPLIED, WITH RESPECT TO SUCH PRODUCTS, AND SHALL NOT BE LIABLE OR RESPONSIBLE FOR ANY INCIDENTAL OR CONSEQUENTIAL DAMAGES.

COPYRIGHT (3-97)

The software code contained in this Galil product is protected by copyright and must not be reproduced or disassembled in any form without prior written consent of Galil Motion Control, Inc.



# Index

Abort.....	52, 88, 94, 135, 178, 177–79, 199, 208, 209
Off On Error .....	53
Absolute Position.....	46, 79, 80, 137
Absolute Value .....	103, 114, 152, 178
Acceleration.....	2, 25, 43, 52, 79, 81, 82, 88, 90, 94, 96, 113, 122, 165, 225
Accessories .....	212
AMP-19x0 .....	212, 218, 221, 222
Amplifier Enable .....	5, 17, 35, 53, 177, 212, 223
Amplifier Gain.....	3, 5, 19, 37, 189, 194, 196
Analog Input.....	167
Analysis	
WSDK .....	11, 14, 19, 25, 29, 33, 37, 43, 106, 201
Arm Latch.....	127
Array. 1, 4, 12, 31, 78, 93, 109, 111, 129, 134, 141, 150, 154, 156, 157, 161, 162, 164, 166, 201	
Automatic Subroutine	
CMDERR .....	132, 145
ININT .....	132, 144, 145, 146, 169
LIMSWI.....	51, 132, 144, 145, 146, 178, 180, 209
MCTIME .....	132, 137, 145, 147
POSERR .....	132, 144, 145, 178, 179, 180
TCPERR .....	132, 145
Automatic Subroutine XE "Subroutine"	
TCPERR .....	149
Auxiliar Encoder	
Dual Encoder .....	156
Auxiliary Encoder. 1, 4, 18, 25, 36, 43, 51, 54, 100, 114, 119, 120, 121, 126, 168, 199, 200, 206	
Dual Encoder .....	74, 121
Backlash .....	78, 119, 120, 121, 175
Dual Loop.....	78, 119, 120, 121, 175
Baud Rate .....	13, 14, 15, 31, 32, 33, 57, 184
Begin Motion.....	20, 24, 38, 42, 89, 96
Binary .....	1, 60, 69, 71, 72, 170
Bit-Wise.....	141, 150, 161
Burn 23, 41	
EEPROM.....	1, 4, 12, 31, 170, 210
Capture Data	
Record.....	78, 111, 155, 156, 157
Circle.....	132, 173
Circular Interpolation.....	50, 93
Circular Iterpolation.....	173
Clear Bit.....	55, 166, 209
Clear Sequence.....	88, 90, 94, 96
Coordinated Motion	
Linear Interpolation.....	92
Data Record .....	62, 66
Echo 65, 66	
Edit Mode.....	47, 130, 135, 145
Editor .....	47, 129, 130
EEPROM .....	1, 4, 12, 31, 170, 210
Electronic Cam.....	77, 78, 102, 105, 106, 112
Electronic Gearing .....	1, 77, 78, 98, 101
Ellipse scale .....	96
Enable	
Amplifier Enable.....	177, 212, 223
Encoder	
Auxiliary Encoder ....	1, 4, 18, 25, 36, 43, 51, 54, 100, 114, 119, 120, 121, 126, 168, 199, 200, 206
Differential ...	5, 18, 20, 36, 38, 54, 168, 184, 199, 209
Dual Encoder.....	74, 121, 156
Index Pulse.....	18, 36, 52, 124
Quadrature.....	4, 5, 119, 120, 165, 172, 178, 191, 199, 200, 209
Error Code.....	60, 62, 73, 74, 134
Error Handling .....	ii, 131, 177
Error Limit ....	17, 19, 35, 37, 53, 55, 145, 177, 178, 209
Off On Error.....	17, 35, 53, 177, 179
Example	
A-B Table Controller .....	173
Automatic Subroutines.....	146
Communication Interrupt.....	160
Contouring .....	109
Cut-to-Length.....	158
Design Examples.....	44

Dual Loop.....	121
ECAM.....	106
Editor Mode.....	135
Electronic Gearing.....	101
General.....	138
I/O Examples.....	166
Input Interrupt.....	169
Jog Moves.....	82
JP Command.....	142
Latching.....	127
Limit Switch.....	180
Limit Switches.....	145
Linear Interpolation.....	90
Motion Smoothing.....	122
OPTO-22.....	227
PF Command.....	163
Position Follower.....	168
PR-PA Moves.....	80
Record Array.....	157
Sampled Dual Loop.....	175
Sinusoidal Commutation.....	16, 22, 34, 40
Sinusoidal Motion.....	112
Using Labels.....	131
Vector Motion.....	96
Wire Cutter.....	171
Feedrate.....	89, 95, 139, 173, <i>See</i>
FIFO.....	66
Filter Parameter	
Damping.....	25, 43, 184, 188, 193
Gain.....	25, 43, 47, 184, 188, 192
Integrator.....	25, 26, 43, 44, 188, 194
PID.....	2, 20, 25, 26, 38, 43, 44, 188, 192, 198
Proportional.....	25, 43, 121, 188
Stability.....	120, 121, 183, 184, 188, 195
Filter Parameters	
Stability.....	175
Find Edge.....	52, 124, 126, 209
Formatting.....	161, 164, 165
Frequency.....	5, 25, 43, 112, 123, 193, 195, 196, 197, 199, 222
Function	
Arithmetic.....	129, 141, 150, 153, 165
Gain 3, 5, 19, 25, 37, 43, 47, 53, 184, 188, 189, 192, 194, 196	
Gear Ratio.....	98, 102
Gearing.....	1, 77, 78, 98, 101, 102, 201
Halt.....	89, 133, 134, 136, 137, 139, 140
Hardware.....	177
I/O 166	
MO Jumper.....	13, 31
Home Input.....	52, 124, 126, 154, 199
Homing.....	52, 124, 126, 209
Find Edge.....	52, 124, 126, 209
I/O	
Amplifier Enable.....	5, 17, 35, 53, 177, 212, 223
Digital Input.....	1, 18, 36, 53, 152, 167
Digital Output.....	1, 152, 212, 222
Home Input.....	52, 124, 126, 154, 199
Limit Switch.....	53, 98, 131, 133, 135, 145, 154, 178, 180, 184, 199, 209
ICM-1900.....	212, 218, 221, 222, 223
ICM-2900.....	11, 14, 17, 18, 25, 35, 36, 43, 53, 55, 177, 212, 213, 216, 217, 222, 223
Independent Motion	
Jog1, 46, 77, 81, 82, 98	
Index Pulse.....	18, 36, 52, 124
ININT.....	132, 144, 145, 146, 169
Input Interrupt	
ININT.....	144, 145, 146, 169
Integrator.....	25, 26, 43, 44, 188, 194
Interconnect Module	
AMP-19x0.....	212, 218, 221, 222
ICM-1900.....	212, 218, 221, 222, 223
ICM-2900..	11, 14, 17, 18, 25, 35, 36, 43, 53, 55, 177, 212, 213, 216, 217
Internal Variable.....	49, 141, 153, 154
Interrogation... ..	25, 44, 45, 47, 74, 75, 90, 134, 135, 161, 163, 164, 201
Interrupt.....	132, 144, 145, 146, 169
Invert.....	20, 38, 51, 119, 184, 208, 222
Jog 1, 46, 77, 81, 82, 98, 160	
Jumper..	11, 12, 15, 25, 29, 30, 31, 33, 43, 57, 113, 184, 208, 210, 218
Label	
Program Label... ..	48, 91, 121, 129, 131, 135, 141, 142, 144, 154
Special Label.....	131, 132, 137, 145, 169, 179, 180
Latch.....	4, 53, 65, 74, 126, 127, 157, 210
Arm Latch.....	127
Position Capture.....	126
Limit Switch. 53, 98, 131, 133, 135, 145, 154, 178, 180, 184, 199, 209	
LIMSWI.....	51, 132, 144, 145, 146, 178, 180, 209
Linear Interpolation... ..	49, 50, 77, 78, 88, 89, 90, 92, 93, 107
Logical Operator.....	141, 159
Masking	
Bit-Wise.....	141, 150, 151, 161
Math Function.....	152, 155
MCTIME.....	132, 137, 145, 147
Memory....	1, 2, 4, 22, 40, 47, 58, 59, 69, 110, 129, 135, 141, 145, 154, 156, 170
Message.....	61, 66, 93, 134, 135, 143, 151, 161, 162
Modelling.....	188
Motion Complete	
MCTIME.....	132, 137, 145, 147
Motion Smoothing.....	78, 79, 82, 113, 122, 123
Motor Command 2, 16, 20, 22, 34, 38, 40, 47, 193, 201, 208	
Multitasking.....	133, 148
OE	
Off On Error.....	53, 177

Off On Error ..... 17, 35, 53, 65, 177–79  
 Operand  
   Internal Variable ..... 49, 141, 153, 154  
 Operator  
   Bit-Wise ..... 141, 150  
 Output  
   Amplifier Enable ..... 5, 17, 35, 53, 177, 179, 208  
   Digital Output ... 1, 4, 51, 55, 134, 138, 152, 157, 166,  
     170, 172, 199  
   Error Output ..... 55, 178  
   Motor Command ..... 2, 19, 22, 37, 40, 188, 192  
   Output Compare ..... 55  
   Step and Direction ..... 25, 43, 113  
 Output of Data ..... 161  
 PID 2, 20, 25, 26, 38, 43, 44, 188, 192, 198  
 Playback ..... 111, 155  
 POSERR ..... 132, 144, 145, 178, 179, 180  
 Position Capture ..... 126  
   Latch ..... 4, 53, 65, 74, 126, 127, 157, 210  
 Position Error .. 17, 19, 20, 26, 35, 37, 38, 44, 45, 53, 55,  
   121, 132, 133, 145, 146, 156, 175, 177, 178, 187,  
   209  
   POSERR ..... 132, 144, 145, 178, 179, 180  
 Position Limit ..... 179  
 Program  
   Terminal ..... 19, 37  
 Program Flow ..... 136, 167  
   Interrupt ..... 131, 132, 139, 145, 146, 159, 160, 169  
   Stack ..... 144, 148, 169  
 programming ..... 229  
 Programming ..... 77, 129, 184  
 Proportional Gain ..... 25, 26, 43, 44  
 Protection  
   Error Limit .. 17, 19, 35, 37, 53, 55, 145, 177, 178, 209  
   Torque Limit ..... 19, 37, 47  
 PWM ..... 5, 208  
 Quadrature ... 5, 119, 120, 165, 172, 178, 191, 199, 200,  
   209  
 Quit  
   Abort ..... 52, 88, 94, 135, 178, 199, 208, 209  
   Stop Motion ..... 88, 94, 180  
 Record ..... 78, 111, 155, 156, 157  
   Latch ..... 4, 53, 74, 126, 127, 157, 210  
   Teach ..... 78, 111, 156  
 Register ..... 14, 15, 16, 32, 33, 34  
 Reset ..... 5, 12, 18, 23, 24, 31, 36, 41, 42, 51  
 Scale  
   Ellipse Scale ..... 96  
 Serial Port ... 14, 15, 32, 33, 57, 149, 160, 162, 207, 208  
 Set Bit ..... 55, 166, 171, 209  
 Sine 78, 105, 152  
 Single-Ended ..... 18, 20, 36, 38, 199  
 Slew 25, 43, 45, 52, 65, 79, 101, 124, 137, 172, 209  
 Smoothing 78, 79, 82, 89, 90, 94, 96, 113, 114, 122, 123  
 Sngle-Ended ..... 5  
 Software  
   Terminal .. 11, 13, 14, 15, 16, 29, 31, 32, 33, 34, 47, 48  
   WSDK ..... 11, 14, 19, 25, 29, 33, 37, 43, 106, 201  
   Special Label ..... 131, 132, 137, 145, 169, 179, 180  
   Stability ..... 120, 121, 175, 183, 184, 188, 195  
   Stack ..... 144, 148, 169  
     Zero Stack ..... 148, 169  
   Step Motor ..... 2, 3, 5, 25, 43, 123, 208, 209  
     KS, Smoothing ..... 25, 43, 78, 113, 114, 115, 123  
   Stepper Position Maintenance ..... 115  
   Stop Code ..... 74, 126, 135, 157, 184  
   Stop Motion ..... 88, 94, 180  
   subroutine ..... 144  
   Subroutine .. 51, 131, 132, 133, 140, 144, 145, 146, 147,  
     149, 159, 169, 178, 179, 180, 209  
   Synchronization ..... 1, 5, 102  
   Syntax ..... 69, 70, 71  
   Tangent ..... 78, 93, 95, 96, 97, 152  
   Teach ..... 78, 111, 156  
     Data Capture ..... 156, 157  
     Latch ..... 4, 53, 65, 74, 126, 127, 157, 210  
     Play-Back ..... 111  
     Record ..... 78, 111, 155, 156, 157  
   Tell Code ..... 73, 74, 136  
   Tell Position ..... 45, 48, 66, 74, 115, 154, 164  
   Tell Torque ..... 20, 38, 74  
   Terminal ... 13, 14, 15, 16, 19, 31, 32, 33, 34, 37, 47, 48,  
     52  
   Theory ..... 185  
     Damping ..... 25, 43, 184, 188, 193  
     Digital Filter ..... 192, 193, 196, 198  
     Modeling ..... 185, 188, 189  
     PID ..... 2, 20, 25, 26, 38, 43, 44, 188, 192, 198  
     Stability ..... 120, 121, 175, 183, 184, 188, 195  
   TIME ..... 154  
   Time Interval  
     DT 107, 108, 109  
     RC 111, 156  
   Timeout ..... 15, 23, 33, 41  
     MCTIME ..... 132, 137, 145, 147  
   Torque Limit ..... 19, 37, 47  
   Trigger ..... 129, 136, 137, 138, 140, 209, 210  
   Trippoint ..... 136, 137, 138, 144, 201  
   Troubleshoot ..... 183  
   TTL 1, 4, 5, 17, 18, 35, 36, 51, 53, 54, 55, 168, 169,  
     177, 178, 199, 209, 223  
   Tuning ..... 1, 11, 20, 25, 29, 38, 43, 44, 120, 229  
     Stability ..... 120, 121, 175, 183, 184, 188, 195  
     WSDK ..... 11, 14, 19, 25, 29, 33, 37, 43, 106, 201  
   Upload ..... 48, 156, 201  
   User Unit ..... 165  
   Variable 4, 12, 31, 49, 75, 129, 134, 135, 141, 150, 152,  
     153, 154, 155, 158, 161, 162, 163, 164, 165, 201  
     Internal Variable ..... 49, 141, 153, 154  
   Vector Acceleration ..... 50, 90, 96  
   Vector Deceleration ..... 50, 90, 91, 96  
   Vector Modde

Clear Sequence .....	96	Linear Interpolation	49, 50, 77, 78, 89, 90, 92, 93, 107
Vector Mode .....	93	Tangent.....	78, 93, 95, 96, 97, 152
Circular Interpolation.....	50, 93, 173	Vector Speed.....	50, 88, 89, 90, 91, 93, 94, 95, 139
Clear Sequence .....	88, 90, 94	Wire Cutter.....	171
Ellipse Scale .....	96	WSDK.....	11, 14, 19, 25, 29, 33, 37, 43, 106, 201
Feedrate .....	89, 95, 139, 173	Zero Stack .....	148, 169